

- **BABY STROLLER**

- **JPC18BL**

- Applicable Age Grade: From 6 months to 36 months.
- The Maximum Load: 15kgs

WARNING!

Read the instruction carefully before use and keep them for future reference .



VISIT US ONLINE:

Have a question?

Need service or repair?

Want to leave a comment?

PyleUSA.com/ContactUs

PYLE



JPC18BL

Baby Stroller User Manual

OPERATION INSTRUCTION

WARNING:

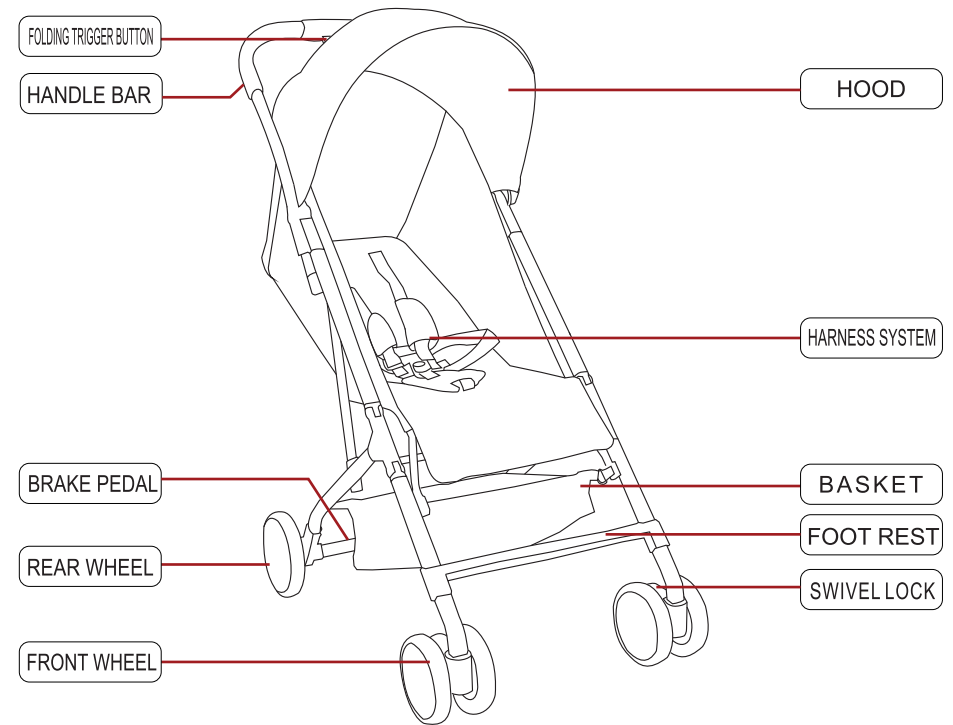
READ THESE INSTRUCTIONS CAREFULLY BEFORE USING AND KEEP FOR FUTURE REFERENCE .
YOUR CHILD'S SAFETY MAY BE AFFECTED IF YOU DO NOT FOLLOW THESE INSTRUCTIONS.

1. **NEVER** leave child unattended! This Baby Stroller is suitable for children 6 months to 36 months. Recline the seat to the most reclined position for New born babies until they can sit up unaided .
2. Please check and make sure all the components are securely installed and well connected before using .
3. The harness must be used correctly.
4. Do not use the baby stroller on stairway, rough surface or in any dangerous area.
5. Overload or incorrect folding using the incorrect spare parts, might cause damage and make this Baby Stroller unsafe.
6. The maximum load of this Baby Stroller is 15kg , the maximum load of basket is 2.5kg , please avoid overloading.
7. This product is not suitable for running and skating.
8. Ensure all users are familiar with the products operation. It should always open and fold easy, if it does not, do not force the mechanism. Stop and read the instructions.
9. Do not use your pushchair in a manner for which it is not designed.
10. **DO NOT** allow children to climb into stroller unassisted, play with or hang onto your Baby Stroller.
11. Always apply the brakes when stationary and hold on to your Baby Stroller when close to moving road vehicles or trains. Even with the brake on, the draught from the vehicle may move the stroller.
12. Never carry a second child on your pushchair

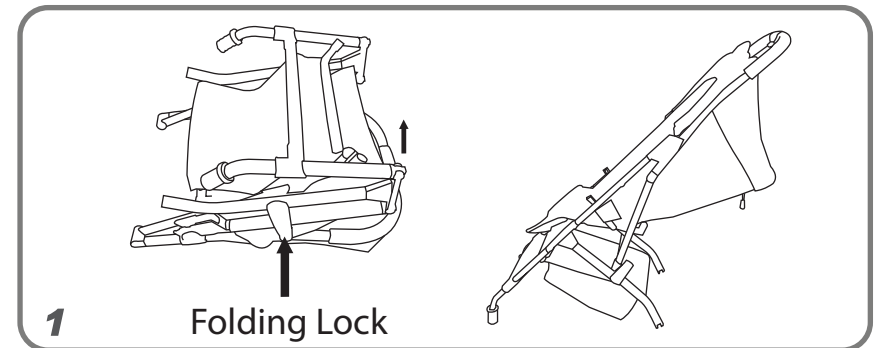
WARNING:

ENSURE THAT ALL LOCKING DEVICES ARE ENGAGED BEFORE USE

PARTS LIST



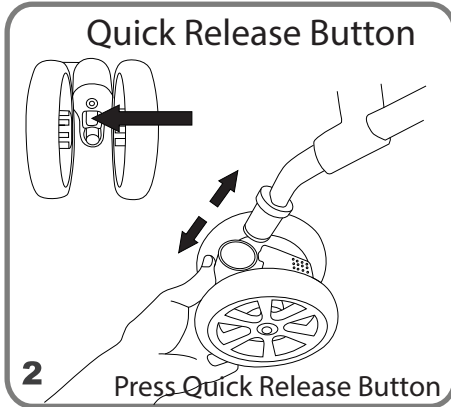
OPERATION INSTRUCTION



OPERATION INSTRUCTION

OPEN THE BABY STROLLER:

Open the folding lock, then lift up the handle bar and move forward the stroller until you hear 'click', make sure the frame is opened in full position.

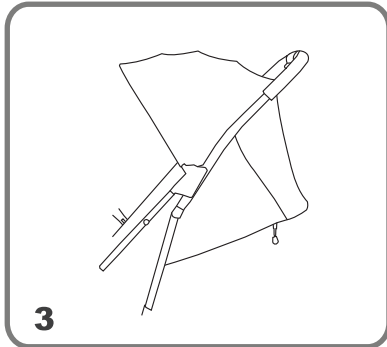


FITTING THE FRONT WHEELS:

Place the front leg plastic into the front wheel housing until it clicks into the position. To remove the wheels, Press the quick release button to downward the wheel to release.

WARNING:

ENSURE THAT ALL LOCKING DEVICES ARE ENGAGED BEFORE USE

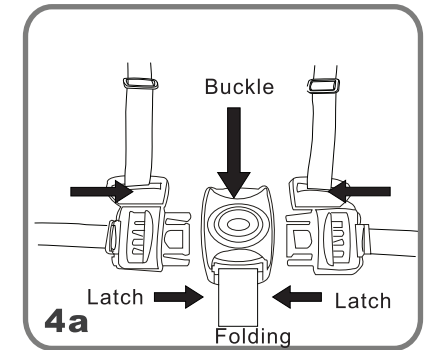
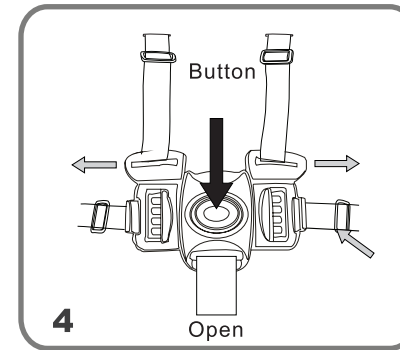


USING THE HOOD:

To raise the hood, lift the top of the hood forward then push down the hood until it locks in place.

To lower the hood, lift the hood then push the top of hood back into it's folded position.

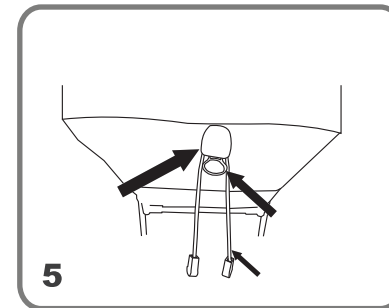
OPERATION INSTRUCTION



ADJUST THE HARNESS:

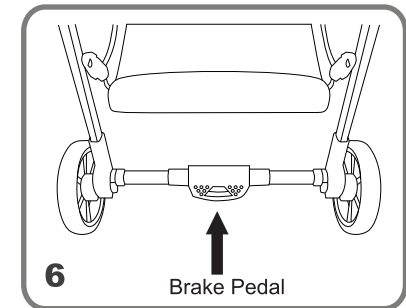
Release: Press down the button on the buckle, pull it to open.

Fastening: Insert the two latches into the buckle on both sides until they click and locks in place.



ADJUSTING THE HEIGHT OF THE SEAT:

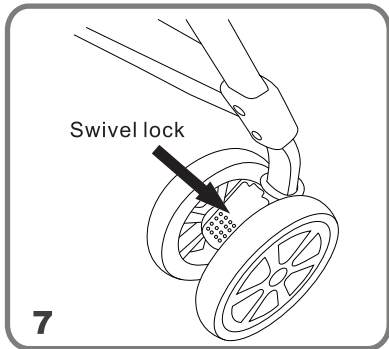
To raise or lower the seat, you can adjust the position handle located behind the seat. To lower the backrest pull the button ring downwards and slide the adjuster until the seat is in the desired position.



BRAKE SYSTEM:

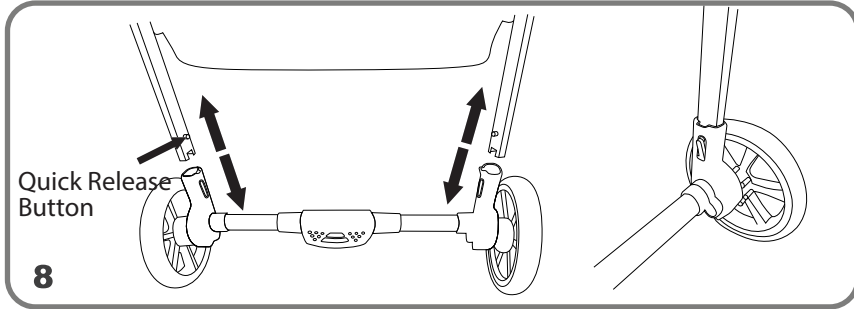
Step the brake pedal to stop the stroller. Lift up the brake pedal to release the stroller.

OPERATION INSTRUCTION



FIXING DIRECTION AND ROTATING THE FRONT WHEELS:

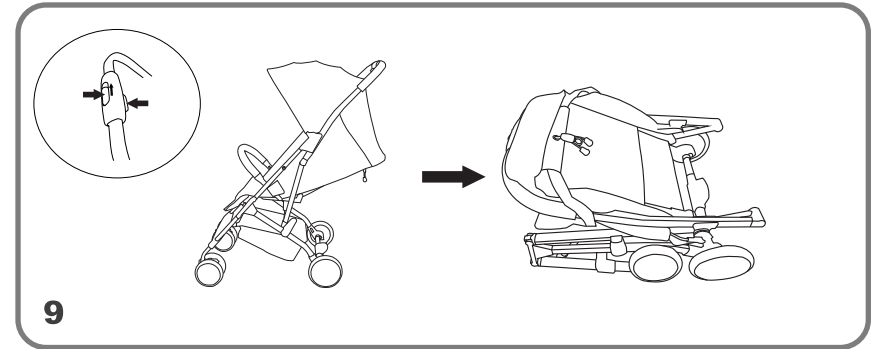
Lift up the front wheel swivel lock for fixed wheel direction, press it down to rotate the wheel freely.



FITTING THE REAR WHEELS:

Push the rear leg frame into the plastic rear wheel housing. Ensure the quick release button on the legs located at the holes in the mounts and **CHECK** if it is securely attached. Press the quick release button and pull the rear axle assembly to clear.

OPERATION INSTRUCTION



FOLDING THE STROLLER:

Move the secondary lock to the left and pull the folding trigger button upward and then pull downward the stroller to autolock.

MAINTENANCE

1. To ensure your baby's safety, please check and keep good maintenance of the Baby Stroller periodically.
2. Please use a brush to clean the covers, use neutral detergent solution or the best natural soap powder for cleaning.
3. Please periodically check the product in case of losing parts, broken components or wearing threads. Change damaged parts if necessary.
4. Please operate or disassemble the Baby Stroller according to the instruction manual.