

CAUTION:

MAXIMUM LOAD: The PCO Series Power Conditioners 8 Rear Panel Outlets are rated 15 amps total load (or 1800W at 100-240VAC). If this maximum load is exceeded, the Circuit Breaker will trip, cutting off power to all connected equipment in your rack. If this happens, reduce the load by unplugging one or more units from the power conditioner, and push the circuit breaker to reset it.

PYLE[®]
PyleUSA.com

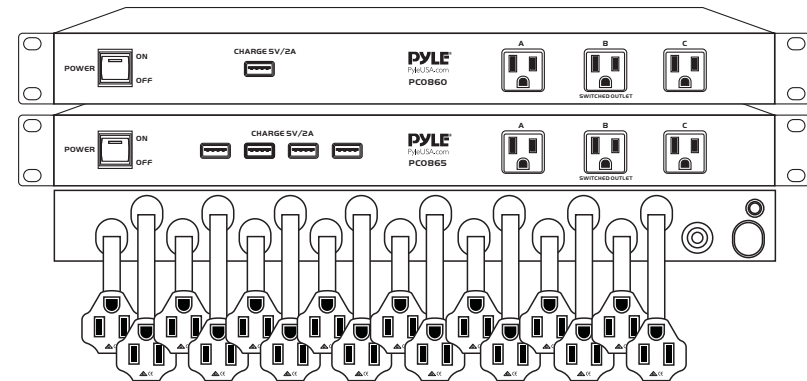
PYLE[®]
PyleUSA.com

PC0860

Power Supply Surge Protector - Rack Mount Power Conditioner Strip with USB Charge Port

PC0865

Power Supply Surge Protector - Rack Mount Power Conditioner Strip with (4) USB Charge Ports



INTROUCTION:

Thank you for purchasing PYLE series 1 U Rack Mount Power Supply Conditioner, and congratulations on your choice. The Power Supply Conditioners feature excellent surge protection for all your systems, and they supply multiple outlets for your powering equipment. It not only protects anything plugged into them from spike and surges, but also has a built-in AC noise filter to rid the system of radio frequency and electromagnetic interference. And this allows all your equipments to function better and last longer.

SAFETY INFORMATION:

To obtain best results from our Power Supply Conditioner Unit, please read the manual carefully before using.

WARINGS:

To reduce the risk of electrical shock, do not expose this equipment to rain or moisture. Dangerous high voltage is present inside the enclosure. Do not remove the covers. Refer servicing to qualified personnel only.

CAUTION:

These equipments shall be connected a 20 Ampere rated receptacle of the branch circuit. The total current drawn from the receptacles of these equipments is 15 Amperes maximum, and no individual receptacle shall draw more than 12 Ampere.

SPECIFICATION & FUNCTION;

Congratulation You have purchased one of the finest professional power conditioners on the market today. This unit was developed by using the expertise of professional sound engineers and working musicians. You will find your new unit has superior performance and greater flexibility than any other power conditioner in its price range.

Read this manual carefully to get the most out of your new unit. Thanks for selecting PYLE audio for your choice in power conditioners.

The all-steel PCO860/PCO865 1U Rack-Mount USB & AC Charger Power Strip provides high-speed charging to mobile devices simultaneously, such as notebooks, tablets and other battery-intensive electronics that use a NEMA 5-15P plug. The 3 AC Outlets and 16 -foot power cords long enough to reach a PDU or AC wall outlet. A 15-amp circuit breaker protects against overloads and short circuits. A transparent cover guards the lighted on/off switch from accidental shutdowns.

And the USB Ports can Provides up to 5V/ 2A (Each USB Port) of power per port for charging battery intensive devices such as an iPad / iPhone / Mobilephone, etc.

So it can charge your devices without the need to connect to a computer

IMPORTANT SAFETY INSTRUCTIONS

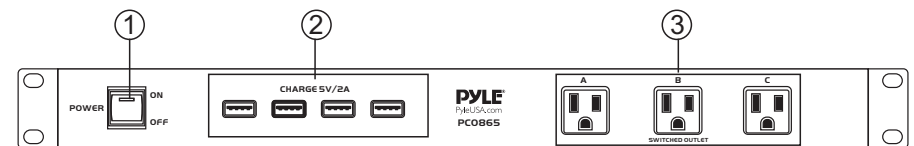
WARNING-When using electric products, basic precautions should always be followed, including the following:

1. Read all the instruction before using the product.
2. Do not use this product near water (e. g. : near a bathtub, washbowl, kitchen sink, in a wet basement, or near a swimming pool. etc.).

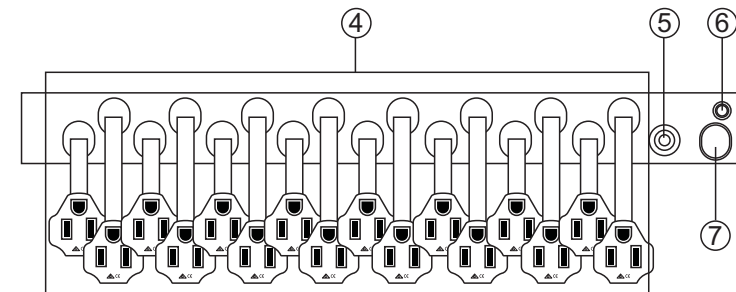
3. This product should be used only with a cart or stand that will keep it level and stable and prevent wobbling.
4. This product, in combination with amplifiers, headphones or speakers, may be capable of producing sound levels that could cause permanent hearing loss. Do not operate for a long period of time at a high volume level or at a level that is uncomfortable. If you experience many hearing loss or ringing in the ears, you should consult an audiologist.
5. The product should be located so that its location or position does not interfere with its proper ventilation.
6. The product should be located away from heat sources such as radiators, heat vent, or other devices (including amplifiers) that produce heat.
7. The product should be connected to a power supply only of the type described in the operating instructions or as marked on the product.
8. The power supply cord should:
 - (1) Be undamaged.
 - (2) Never share an outlet or extension cord with other devices so that the outlet's extension on cord's power rating is exceeded.
 - (3) Be left plugged into the outlet when left unused for a long period of time.
9. Care should be taken so that objects do not fall into, and liquids are not spilled through, the enclosure's openings.
10. The products should be serviced by qualified service personnel when:
 - A. The power supply cord or the plug has been damaged.
 - B. Objects have fallen into, or liquid has been spilled onto the product.
 - C. The product has been exposed to rain.

- D. The product does not appear to operate normally or exhibits a marked change in performance.
- E. The product has been dropped, or the enclosure damaged.
11. Do not attempt to service the product beyond what is described in the user-maintenance instructions. All other servicing should be referred to qualified service personnel.
12. Do not defeat the safety purpose of the grounding-type plug, which features a third grounding prong. If this provided plug does not fit into your outlet, consult an electrician for replacement of the obsolete outlet.

CONTROLS, FUNCTIONS, AND CONNECTIONS



REAR PANEL



FRONT PANEL & REAR PANEL

1. POWER SWITCH

Outlet Switch Activates Protection And Filtration To All Back Panel Outlets. To Turn The Unit ON or OFF, Press The Upper Or Lower Portion Of This Button.

2. USB CHARGE PORTS

USB Charger Ports (5V/2A Each Port) on the Front Panel Front Panel Convenience USB CHARGE PORT (5V/2A EACH PORT) .

3. AC CHARGE OUTLETS

Standard Ac Outlets On The Front Panel
EMI/RFI Filtered, Spike/surge Protected And Switched.

4. AC FOOT CHARGE POWER CORD OUTLETS

Ac Foot Charger Power Cord Outlets On The Back Panel
EMI/RFI Filtered, Spike/surge Protected And Switched.

5. CIRCUIT BREAKER

Resettable 15 Amp Thermal Circuit Breaker.

6. GROUND LIFT

Avoid Background Noise and Hum.

7. POWER CORD

Heavy Duty 14-gauge Power Cord For Connection To The Ac Power Mains (100-240V/50-60Hz) .

PCO860

Power Supply Surge Protector - Rack Mount Power Conditioner Strip with USB Charge Port

FEATURES:

- *Universal Power Supply for Electronic Devices & Equipment
- *(3) Front Panel AC Outlets
- *(16) Rear Panel Wired Power Cables (Integrated 'Half-Hot' / Switched AC Outlet)
- *USB Port for Device Charging
- *(Works with Smartphones, Tablets, MP3 Players, etc.)
- *Compatible with 1U Mount 2 or 4 Post Rack Spaces

- *Includes Detachable Rack Mount Brackets
- *Ground Lift for Background Noise and Hum Elimination
- *Power ON/OFF Switch

TECHNICAL SPECS:

- *Universal Rack Mount Size Standard: 1U
- *15 Amp Circuit Breaker
- *Rear Panel Individual Undetachable Power Cable Length: 12.5 ft (3.8m).
- *Power Supply: 110/240V (USB Power: 5V/2A)
- *Dimensions (L x W x H): 17.3" x 11.6" x 1.7"
- *Unit Weight: 6.6 lbs.

PCO865

Power Supply Surge Protector - Rack Mount Power Conditioner Strip with (4) USB Charge Ports

FEATURES:

- *Universal Power Supply for Electronic Devices & Equipment
- *(3) Front Panel AC Outlets
- *(16) Rear Panel Wired Power Cables (Integrated 'Half-Hot' / Switched AC Outlet)
- *(4) USB Ports for Multi-Device Charging
- *(Works with Smartphones, Tablets, MP3 Players, etc.)
- *Compatible with 1U Mount 2 or 4 Post Rack Spaces
- *Includes Detachable Rack Mount Brackets
- *Ground Lift for Background Noise and Hum Elimination
- *Power ON/OFF Switch

TECHNICAL SPECS:

- *Universal Rack Mount Size Standard: 1U
- *5 Amp Circuit Breaker
- *Rear Panel Individual Undetachable Power Cable Length: 12.5 ft (3.8m).
- *Power Supply: 110/240V (USB Power: 5V/2A)
- *Dimensions (L x W x H): 17.3" x 11.6" x 1.7"
- *Unit Weight: 6.6 lbs.