

PDBT30

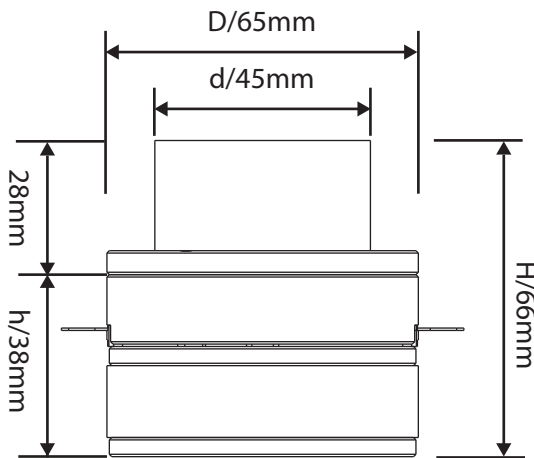
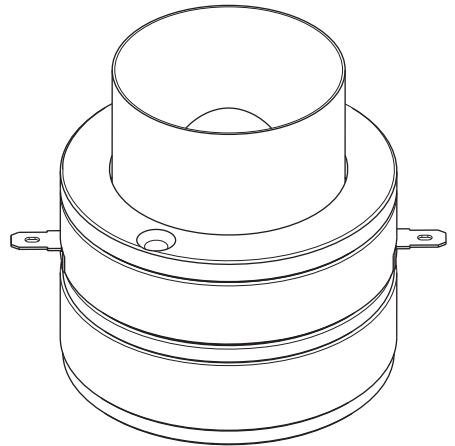
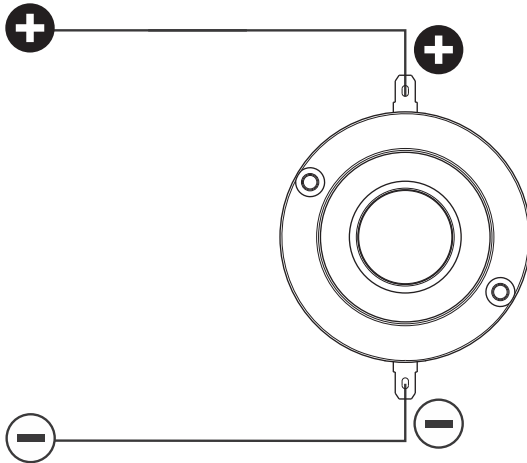
1.0" Voice Coil Titanium Dome Tweeter
100 Watts at 4-Ohm, Car Tweeter
with Aluminum Housings

PYLE
PyleUSA.com

USER GUIDE

WIRING CONNECTION

Connect the power amplifier to the positive and negative terminals accordingly as shown.



Features:

- Die-Cast Aluminum Frame
- 2.5 Inches Full Range Car Speakers
- Enhance Sound System for Car Bass, Crossover Tweeter for Car Component Stereo
- Enhance Lower Frequency Music Note
- Aluminum Housings
- 3 Mounting Options: Flush / Swivel / Surface or Angle Mount

What's in the Box:

- Tweeter
- Wires
- Screws

Technical Specs:

- Cone Type: Titanium Dome
- Voice Coil Diameter: 1.0"
- Magnet Type: Ferrite Magnet
- Power Supply: 100 Watts MAX, 50 Watts RMS
- Voice Coil: 1.0"
- Impedance: 4 Ohm
- Sensitivity: 105 dB 1W/1M
- Response: 2.0K Hz-20K Hz
- Magnet: 8 Oz
- Product Dimensions: 2.6" x 2.6" x 2.6" –inches
- Cutout Size: 1.78" –inches
- Mounting Depth: 1.5" –inches



California Prop 65 Warning

WARNING:

This product contains Nickel carbonate which is known to the state of California to cause cancer birth defects and other reproductive harm. Do not ingest.

For more info go to: www.P65warnings.ca.gov

Questions? Issues?

We are here to help!

Phone: (1) 718-535-1800

Email: support@pyleusa.com