

*PDBT33*

1.75" Voice Coil Titanium Dome Tweeter

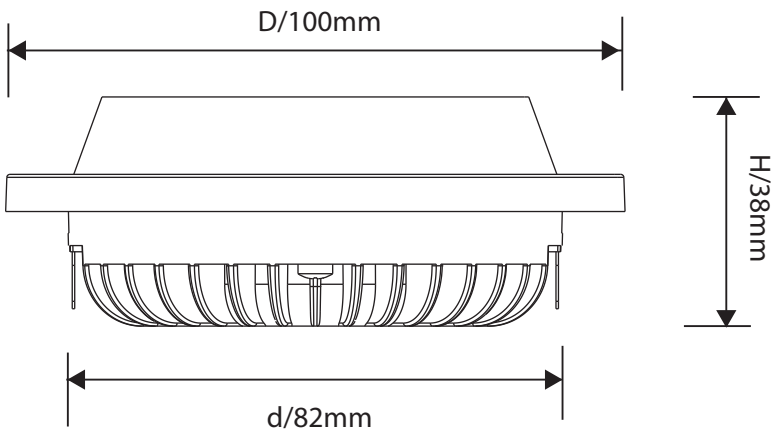
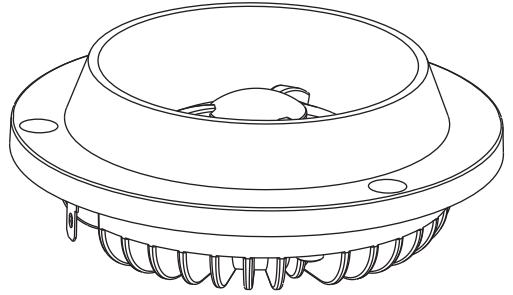
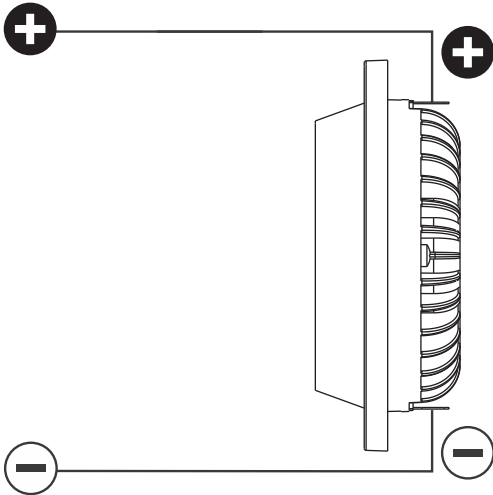
200 Watts at 4-Ohm,  
4" Pro Car Audio Tweeter

**PYLE**  
PyleUSA.com

**USER GUIDE**

**WIRING CONNECTION**

Connect the power amplifier to the positive and negative terminals accordingly as shown.



## **Features:**

- 4" Pro Car Audio Tweeter
- Ferro Fluid Enhanced Voice Coil
- 4" Titanium Super Tweeter
- Diamond Chrome Cutting Finish
- High Strength Engineering Plastic Frame
- Enhance Sound System for Car Bass, Crossover Tweeter for Car Component Stereo
- Enhance Lower Frequency Music Note
- 3 Mounting Options: Flush / Swivel / Surface or Angle Mount
- Wide Range

## **What's in the Box:**

- Tweeter

## **Technical Specs:**

- Cone Type: Titanium Dome
- Voice Coil Diameter: 1.75"
- Magnet Type: NdFeb Magnet, 43\*5mm
- Power Supply: 200 Watts MAX, 100 Watts RMS
- Voice Coil: 1.75"
- Impedance: 4 Ohm
- Sensitivity: 105 dB 1W/1M
- Response: 2.0K Hz-20K Hz
- Product Dimensions: 3.9 " x 3.9" x 1.5" -inches
- Cutout Size: 3.2" -inches



### **California Prop 65 Warning**

#### **⚠️ WARNING:**

This product contains Nickel carbonate which is known to the state of California to cause cancer birth defects and other reproductive harm. Do not ingest.

For more info go to: [www.P65warnings.ca.gov](http://www.P65warnings.ca.gov)

### **Questions? Issues?**

We are here to help!

Phone: (1) 718-535-1800

Email: [support@pyleusa.com](mailto:support@pyleusa.com)