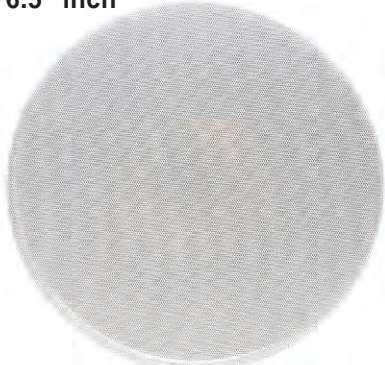




PDIC68FG - 6.5" inch



PDIC88FG - 8" inch



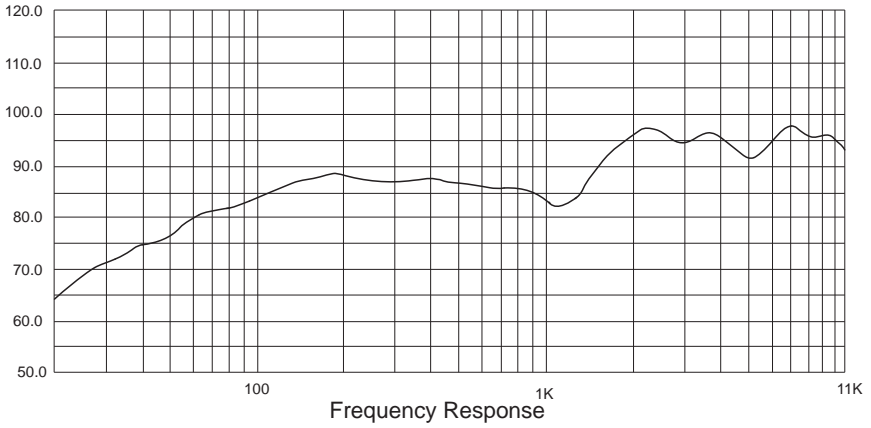
PDIC68FG - PDIC88FG

6.5" In-Wall/In-Ceiling Hi-Fi Speakers

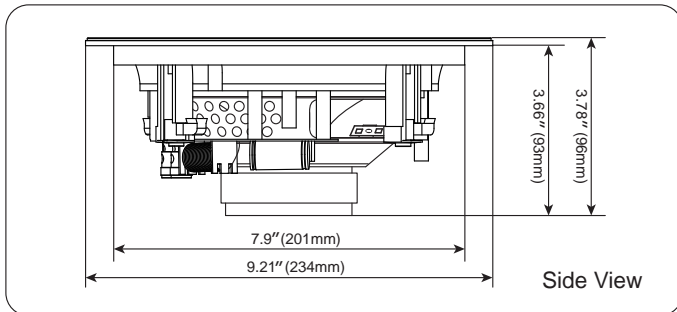
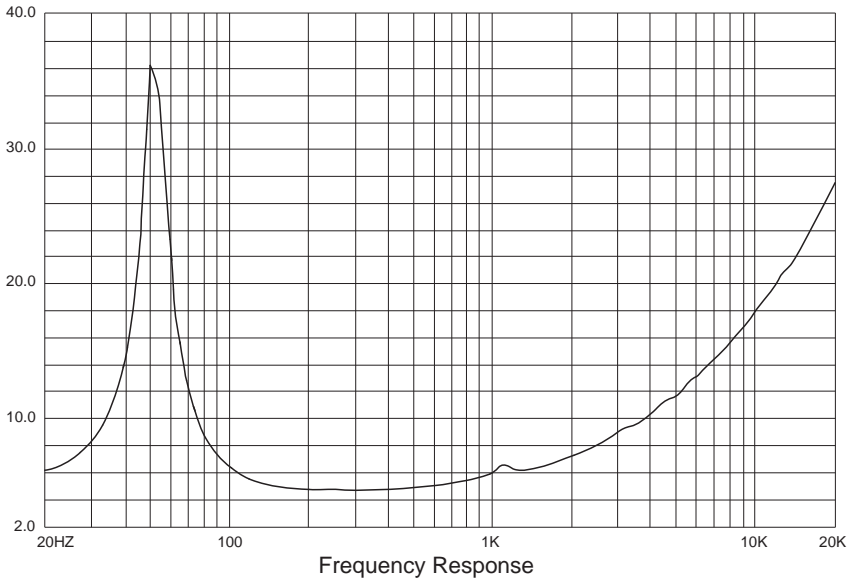
Dual In-Wall / In-Ceiling Hi-Fi Speakers

High Performance Full Range Stereo Speaker System
with Magnetic Grills

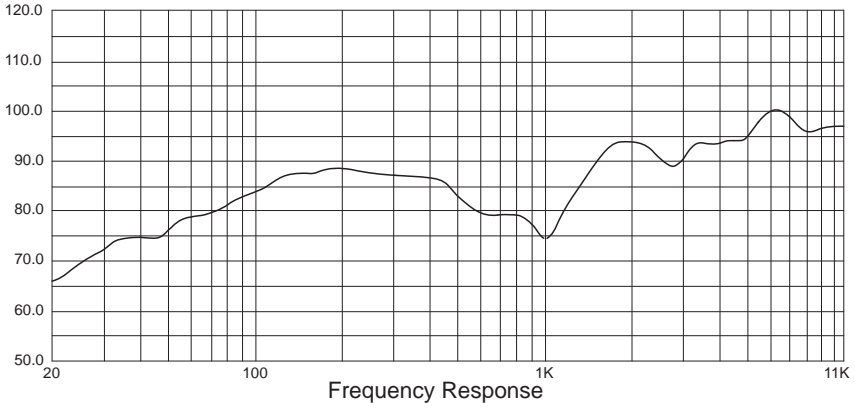
PDIC68FG SPL



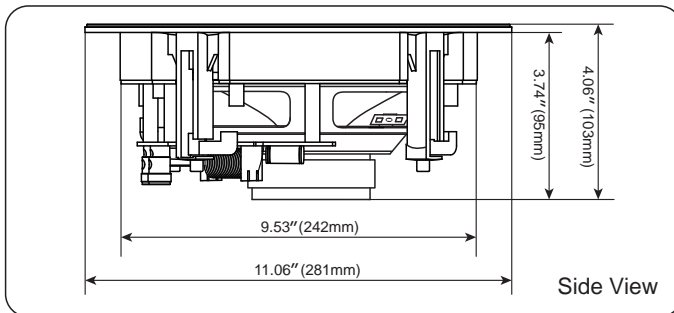
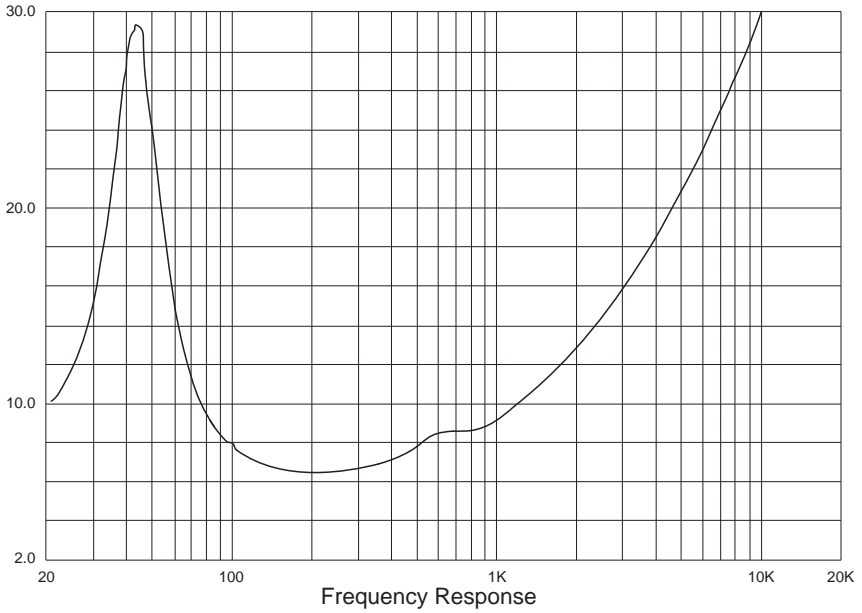
PDIC68FG IMP



PDIC88FG SPL

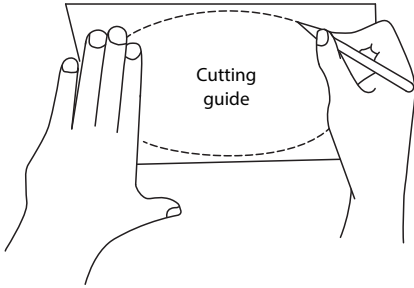


PDIC88FG IMP

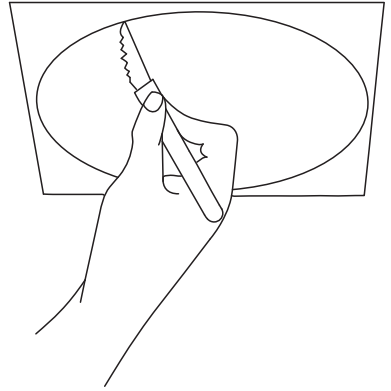


• Speaker Installation

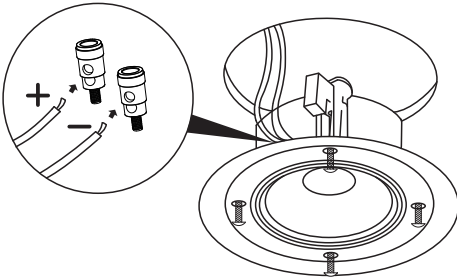
1



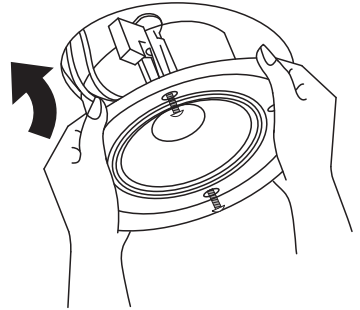
2



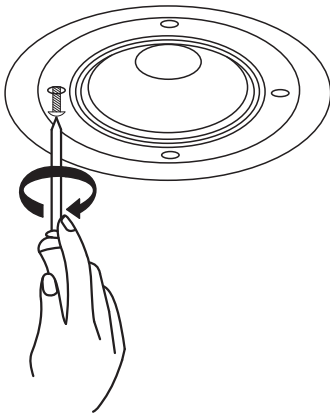
3



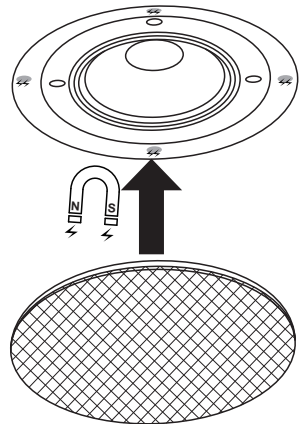
4



5



6



- 1.** Position the cutting guide against the required speaker placement and trace around.
- 2.** Cut out the traced area using a pad saw or other suitable tool.
- 3.** Take the speaker unit out of the packaging and remove the grille. Connect the speaker wire to the appropriate “+” and “-” connections (select the desired tapping for 100V units).
- 4.** Locate the speaker unit into the cut-out, ensuring that the 4 rotating fixing clamps stay turned inward.
- 5.** Once located, turning the 4 fixing screws clockwise will cause the fixing clamps to rotate outward and tighten onto the mounting surface.
- 6.** Put the speaker grille onto speaker in place by magnetism.

PDIC68FG - PDIC88FG

6.5" In-Wall/In-Ceiling Hi-Fi Speakers

Dua In-Wall / In-Ceiling Hi-Fi Speakers - High Performance Full Range Stereo Speaker System with Magnetic Grills

MODEL	PDIC68	PDIC88
Speaker Size	6.5" inch	8" inch
Power Output	300 Watt MAX	360 Watt MAX
Frequency Response	70Hz-22kHz	55Hz-22kHz
Sensitivity	91 +/- 2 dB @ 1M/1W	93 +/- 2 dB @ 1M/1W
Cut-out Diameter	7.9" -inches	9.53" -inches
Mounting Depth	3.66" -inches	3.74" -inches
Total Speaker Size (Diameter x Depth)	9.21" x 3.78" -inches (Each)	11.06" x 4.06" -inches (Each)

Features:

- In-Wall / In-Ceiling Speaker System
- Universal Flush Mount for Any Flat Surface
- Flat & Thin, Slim-Style Removable Speaker Grill
- Convenient Magnetic Speaker Grill Quickly Attaches / Detaches
- High-Fidelity (Hi-Fi) Sound Processing Technology
- 2-Way Full Range Stereo Sound Reproduction
- Built-In Electronics Crossover Network
- Woven Glass Fiber Cone with Rubber Edge
- 1" -inch High Compliance Silk Dome Tweeters

- Integrated Clamp-Type Mounting Brackets
- Quick Connect Spring-Loaded Speaker Terminals
- Environmentally Friendly ABS Construction
- Perfect for Custom Audio Applications
- Used for Home, Office & Business

What's in the Box:

- (2) Hi-Fi Speakers
- (2) Magnetic Speaker Grills
- (3) Speaker Connection Wires, 9.8' ft.
- Cut-Out Template
- Warranty Card

Technical Specs:

- Speaker Style: Round / Circle
- Impedance: 8 Ohm
- Sold as: Pair

PYLE

PyleUSA.com



VISIT US ONLINE:

Have a question?

Need service or repair?

Want to leave a comment?

PyleUSA.com/ContactUs

PYLE