

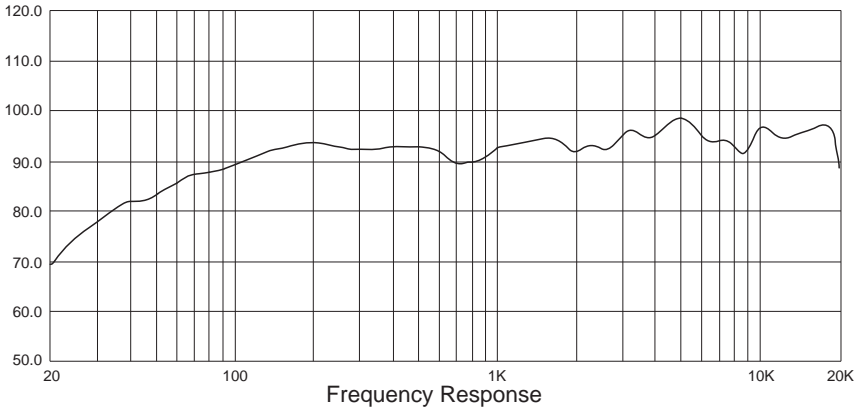


## *PDIC83T*

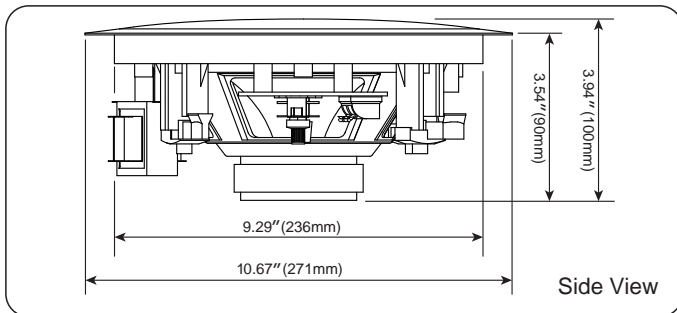
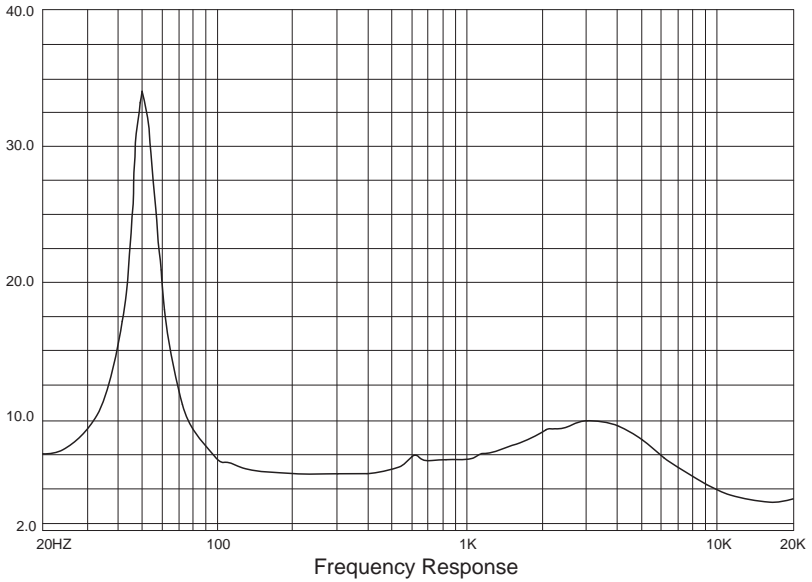
**8" In-Wall / In-Ceiling 70V Speaker**

Flush Mount Low-Profile Speaker  
with 70 Volt Transformer (600 Watt)

# PDIC83T SPL

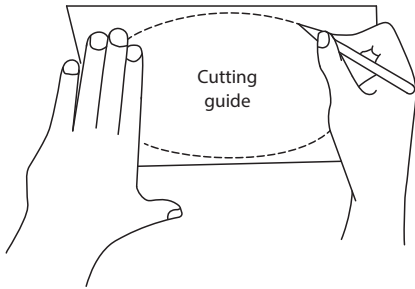


# PDIC83T IMP

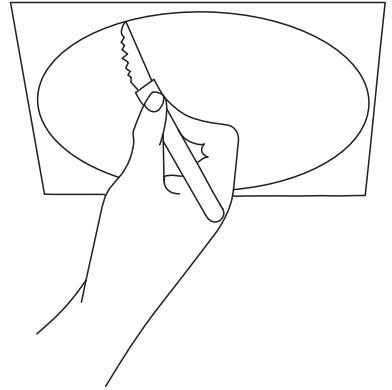


# • Speaker Installation

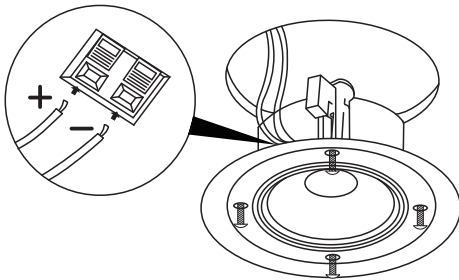
1



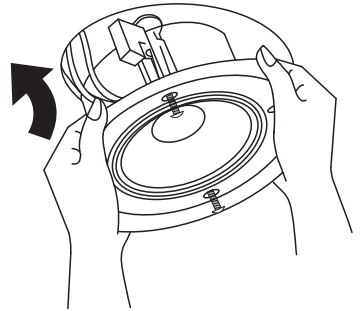
2



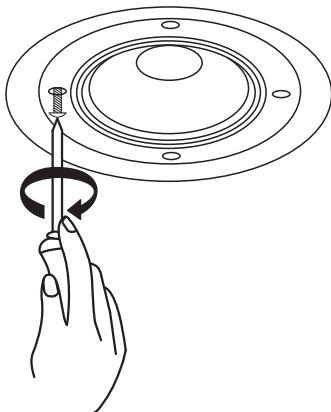
3



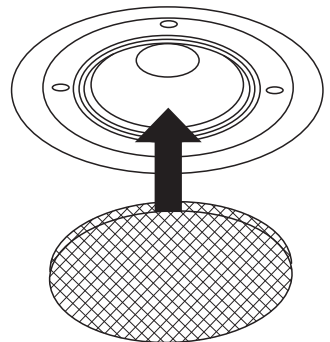
4



5



6



- 1.** Position the cutting guide against the required speaker placement and trace around.
- 2.** Cut out the traced area using a pad saw or other suitable tool.
- 3.** Take the speaker unit out of the packaging and remove the grille. Connect the speaker wire to the appropriate “+” and “-” connections (select the desired tapping for 70V device).
- 4.** Locate the speaker unit into the cut-out, ensuring that the 4 rotating fixing clamps stay turned inward.
- 5.** Once located, turning the 4 fixing screws clockwise will cause the fixing clamps to rotate outward and tighten onto the mounting surface.
- 6.** Push the speaker grille into place by applying even pressure around the rim.

## PDIC83T

### 8" In-Wall / In-Ceiling 70V Speaker

Flush Mount Low-Profile Speaker  
with 70 Volt Transformer (600 Watt)

#### Features:

- In-Wall / In-Ceiling Speaker System
- Built-in 70 Volt Transformer Tapping
- Flush Mount, Slim Low-Profile Design
- 2-Way Full Range Stereo Sound
- High-Impedance, Line-Matching Transformer
- Used for Amplifier / PA Speaker Public Address Systems
- Mounts Flush on Walls or Ceilings
- 1/2" High Compliance Dome Tweeter
- Poly Mica Cone with High-Sensitivity Foam Edge
- Cut-Out Size Template for Easy Installation
- Environmentally Friendly ABS Construction
- Used for Home, Office & Business Applications

#### Technical Specs:

- Power Output: 600 Watt MAX
- Speaker Size: 8.0" -inches
- 70V Transformer Tapping at 20W/15W/10W/5W/2.5W and 8OHM
- Frequency Response: 55Hz-20kHz
- Sensitivity: 91 dB
- Magnet: 20 oz.
- Cut-Out Diameter: 9.29" -inches
- Mounting Depth: 3.54" - inches
- Total Speaker Size (Diameter x Depth): 10.67" x 3.94" -inches
- Sold as: 1

# PYLE

PyleUSA.com



**VISIT US ONLINE:**

*Have a question?*

*Need service or repair?*

*Want to leave a comment?*

[PyleUSA.com/ContactUs](http://PyleUSA.com/ContactUs)

PYLE