

Visit Our Website



**SCAN ME**  
PyleUSA.com

**PYLE**<sup>®</sup>  
PyleUSA.com



***PDIW67***

**6.5" Home In-Wall / Ceiling Speakers**

***USER GUIDE***

**READ ALL INSTRUCTIONS CAREFULLY BEFORE USING THIS PRODUCT.**

**RETAIN THIS OWNER'S MANUAL FOR FUTURE REFERENCE.**

***Features:***

- In-Wall / In-Ceiling System
- 2-Way Stereo Sound Speakers
- 6.5" Long Throw Woofers
- 1" High Temperature Voice Coils
- 1" Titanium Dome Tweeters
- 360 Watts Rated Peak Power
- Frequency Response: 65Hz-22kHz
- 4-8 Ohm Impedance
- Enclosed Speaker Housing Style
- Mounts Flush on Walls or Ceilings
- Perfect for Custom Installations & Applications
- Includes Cut-Out Template for Easy Installation
- Vented Design for High Power and Deep Bass Response
- Overall Dimensions (W x H x D): 9.52" x 13.02" x 4.28"
- Cut-Out Dimensions (W x H x D): 8.24" x 11.76" x 3.68"

**California Prop 65 Warning**

 **WARNING:**

This product may expose you to chemicals, which is known to the state of California to cause cancer, birth defects and other reproductive harm. Do not ingest.

For more info go to: [www.P65warnings.ca.gov](http://www.P65warnings.ca.gov)

## Thank you for purchasing this PYLE in-wall/in-ceiling speaker system.

This state-of-the-art product has been carefully designed and manufactured for your installation needs. It has been thoroughly tested to ensure consistent and reliable performance. If you have any questions regarding the installation or operation of your PYLE in-wall/in-ceiling speaker system that are not covered in this manual, please contact your dealer for assistance.

### TOOLS NEEDED FOR INSTALLATION

The in-wall/in-ceiling speakers are designed for easy installation.

However, if you are unsure of your ability to properly install these speakers, please contact your dealer or a qualified installer.



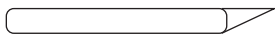
Pencil



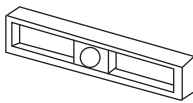
Phillips #2 screwdriver



Measuring tape



Utility knife



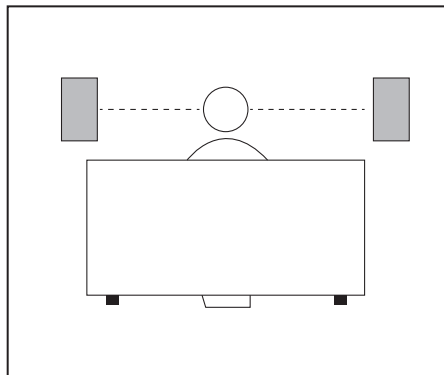
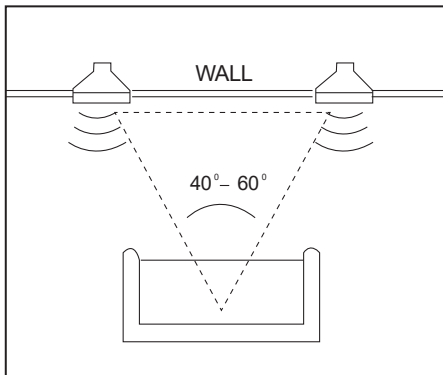
Carpenter's level



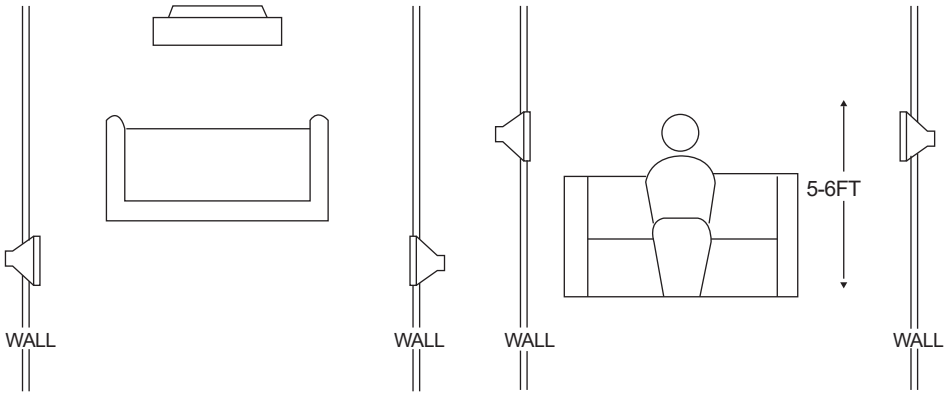
Awl

### SPEAKER PLACEMENT

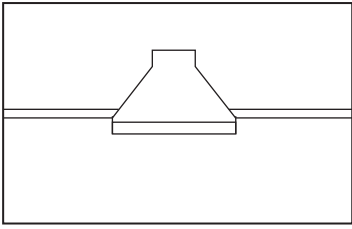
#### Front Speakers



## REAR SPEAKERS



## IN-CEILING



Proper placement of the speakers is important to achieve the most realistic soundstage possible. These recommendations are for optimum speaker placement. You can make slight adjustments without diminishing the listening experience.

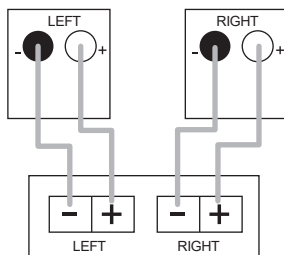
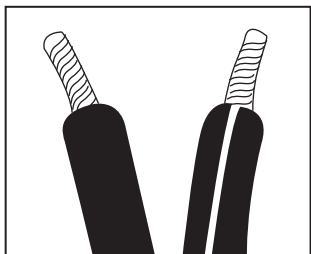
Front speakers should be placed the same distance from each other as from the listening position. They should be positioned at ear level, with tweeters aimed toward the listener for the best sound. In a home theater setup, the surround speakers should be placed slightly behind the listening position.

Ideally, they should face each other and be placed higher than ear level. If that's not possible, position them behind the listener in the wall or ceiling, facing forward. The surround speakers should provide a diffuse, ambient sound, complementing the main program material from the front speakers.

In Dolby® Digital and DTS systems, aim the tweeters toward the listening position at ear level.

# SPEAKER CONNECTIONS

## Connection Tips

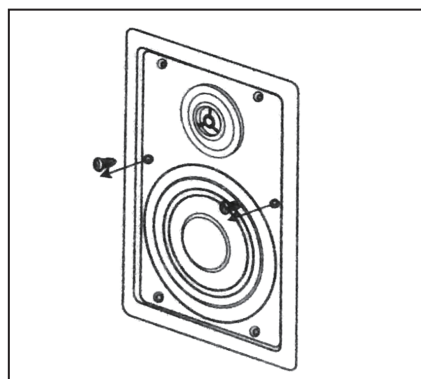
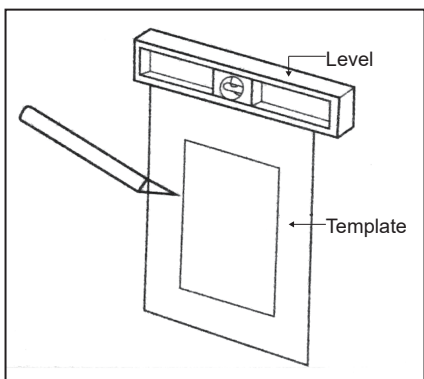


Front or Rear  
Speaker Outputs

For optimal sound quality, ensure both speaker wires are the same length. If one speaker is closer to the amplifier than the other, hide the excess wire behind the wall. Speaker terminals have corresponding (+) and (-) terminals. Red denotes the (+) terminal, and black denotes the (-) terminal. It's crucial to connect both speakers the same way: (+) on the speaker to (+) on the amplifier, and (-) on the speaker to (-) on the amplifier. Connecting speakers out of phase results in thin sound, weak bass, and poor stereo imaging. For multi-channel surround sound systems, correct polarity is equally important to preserve the proper ambiance and directionality of the program material.

## EXISTING CONSTRUCTION

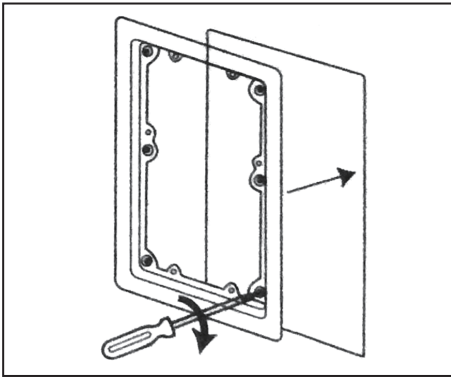
### IN-WALL / IN-CEILING SPEAKERS



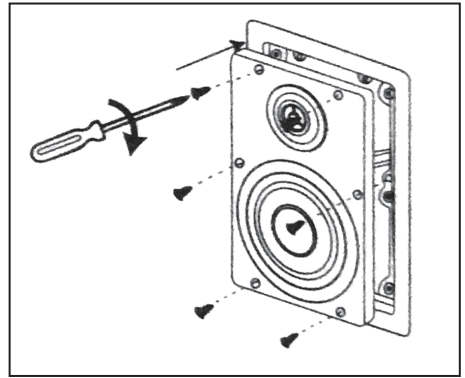
#### Cut the drywall:

**Note:** Always allow at least one-half inch between a wall stud and the speaker cutout, or the locking tabs will not be able to swivel into place.

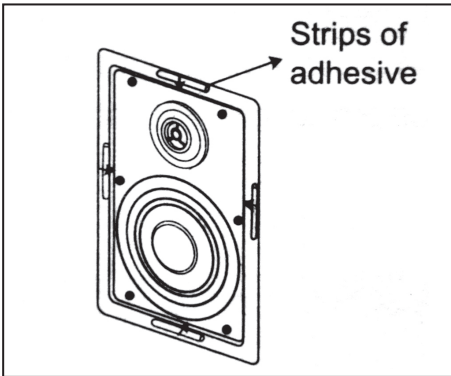
Screw out the two screws to separate the frame first.



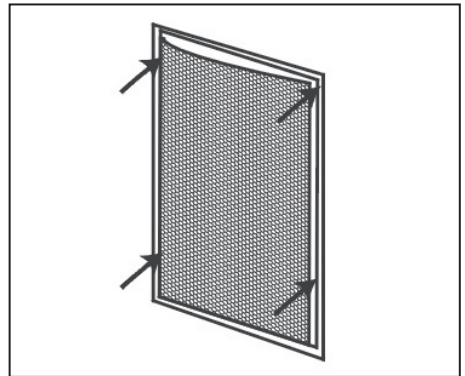
Place the frame assembly in the wall. Screw down each of the six Phillips head screws. The locking tabs will swivel into place and secure the unit to the rear surface of the drywall.



Connect the speaker wires to the speaker. Screw down each of the six Phillips head screws.



Put in the strips of adhesive to secure the grille.



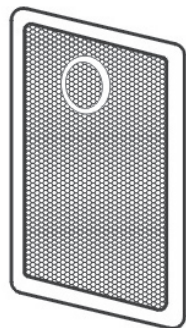
Replace the metal grille.

The in-wall speakers feature unique swivel mounts for the tweeters that enable you to aim the very directional high frequencies toward the listening position, at ear-level height.

### **Tweeter Adjustment:**

Before installing the speaker grille, gently press on the outer edge of the tweeter mount to adjust the position of the tweeter. The tweeter will not swivel more than 15 degrees in any direction; do not attempt to force it to move further.

After installing the speaker grille, gently press on the mesh of the tweeter to adjust the position.



## **TROUBLESHOOTING**

### **No sound from any speakers:**

- Ensure the receiver/amplifier is on and a source is playing.
- Check all wires and connections between the receiver/amplifier and speakers. Ensure none of the wires are frayed, cut, punctured, or touching each other.

### **No sound from one speaker:**

- Check the "Balance" control on your receiver/amplifier.
- Inspect the wires and connections for any issues.

### **Low or no bass output:**

- Ensure correct polarity (+ and -) connections.
- Consider adding a powered subwoofer to enhance bass output.
- For Dolby Digital or DTS systems, verify the receiver/processor is properly configured and ensure the subwoofer output is enabled.

### **System shuts off at higher volumes:**

- Inspect all wires and connections for frays, cuts, or other damage.
- If using more than one pair of speakers, verify the minimum impedance requirements of your receiver/amplifier.

### **Register Product**

Thank you for choosing PyleUSA. By registering your product, you ensure that you receive the full benefits of our exclusive warranty and personalized customer support.

Complete the form to access expert support and to keep your PyleUSA purchase in perfect condition.

### **Start Here**



Model Number:  
PDIW67  
[PyleUSA.com/pages/register](http://PyleUSA.com/pages/register)

# **PYLE**<sup>®</sup>

PyleUSA.com



**Questions or Comments?**

**We are here to help!**

Phone: 1.718.535.1800

[PyleUSA.com/ContactUs](http://PyleUSA.com/ContactUs)