

Visit Our Website



**SCAN ME**  
PyleUSA.com

# PDMR5

## 5" Mid-Bass Mid-Range Woofer Driver

**PYLE**<sup>™</sup>  
PyleUSA.com

# USER GUIDE

### **Specifications:**

#### **• Power Handling:**

- **RMS Power:** 100 Watts
- **Peak Power:** 200 Watts

• **Cone Material:** 5" Paper Coating Cone

• **Voice Coil:** 1" High-Temperature Aluminum Voice Coil

• **Magnet Structure:** 15 oz

• **Sensitivity:** 92 dB

• **Frequency Response:** 450 Hz – 7 kHz

• **Impedance:** 8 Ohms

• **Mounting Depth:** 2" (inches)

• **Minimum Cutout Diameter:** 4.33" (110 mm)

• **Overall Diameter:** 5.15" (inches)



### **Installation Instructions**

**Preparing the Mounting Area:** Ensure that the mounting surface is flat and free from debris. Confirm the cutout diameter is 4.33" (110 mm) to fit the woofer properly.

**Mounting the Woofer:** Align the woofer with the pre-cut hole.

Use screws to securely fasten the woofer into place.

Make sure the screws are tightened evenly to avoid stress on the frame.

**Wiring:** Connect the positive (+) and negative (-) terminals of the woofer to the amplifier, making sure that the impedance matches the system requirements (8 Ohms).

### **Register Product**

Thank you for choosing PyleUSA. By registering your product, you ensure that you receive the full benefits of our exclusive warranty and personalized customer support. Complete the form to access expert support and to keep your PyleUSA purchase in perfect condition.

**Start Here**



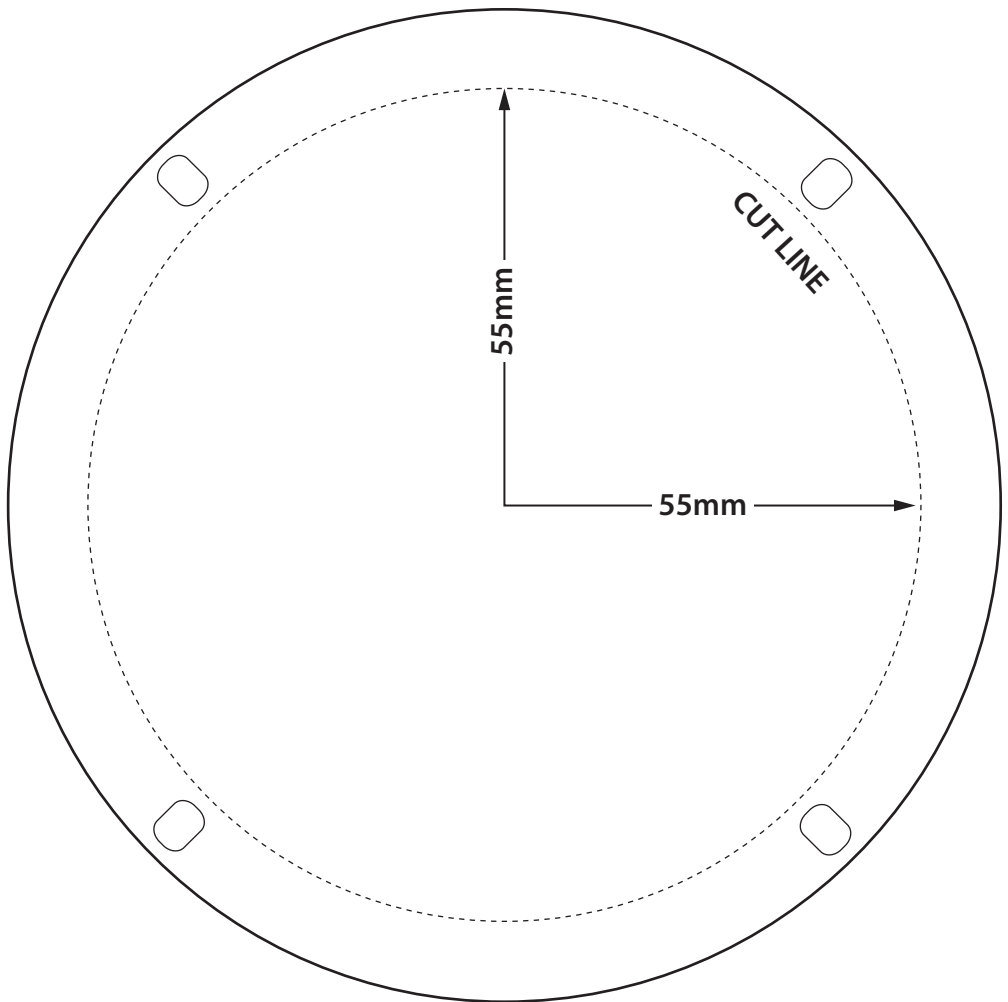
**Model Number:**  
**PDMR5**

[PyleUSA.com/pages/register](http://PyleUSA.com/pages/register)

# PYLE®

PyleUSA.com

## TEMPLATE FOR PDMR5



### California Prop 65 Warning

**⚠️ WARNING:**

This product may expose you to chemicals, which is known to the state of California to cause cancer, birth defects and other reproductive harm. Do not ingest.

For more info go to: [www.P65warnings.ca.gov](http://www.P65warnings.ca.gov)



### Questions or Comments?

**We are here to help!**

Phone: 1.718.535.1800

[PyleUSA.com/ContactUs](http://PyleUSA.com/ContactUs)