

PYLEPRO

PyleUSA.com

PYLE

PyleUSA.com



VISIT US ONLINE:
Have a question?
Need service or repair?
Want to leave a comment?

PyleUSA.com/ContactUs

PYLE



PDWM8225



PDWM8250



PDWM8275

PDWM8225 - PDWM8250 - PDWM8275
Wireless Microphone System

USER MANUAL

CATALOG

1. FOREWORD	2
2. INTRODUCTION	2
3. SYSTEM FEATURES	2
4. SYSTEM TYPE	2
5. EIGHT CHANNEL RECEIVER FEATURES	3
6. TRANSMITTER FUNCTION & FEATURES	4-5
7. TRANSMITTER BATTERY INSTALLATION	6
8. BODYPACK TRANSMITTER CONNECTION	7
9. SYSTEM CONNECTIONS	8
10. TROUBLESHOOTING	10
11. SPECIFICATIONS	11

SYSTEM COMPOSITION

1. Receiver	X1
2. Wireless hand-held or body-pack microphone	X8
3. Audio Cable	X1
4. AC power adapter of special receiver	X1
5. Battery 1.5V	X16
6. User guide	X1

This professional wireless set provides a high quality microphone with UHF radio system for freedom of movement without loss of audio quality. Please read this manual before using this equipment in order to avoid damage through incorrect operation and to get the best performance from your purchase. This series of professional wireless microphone system used a super steady PLL - synthesized control technic and matches the high efficient, low consumption discharging technique and super sensitive discharging receiving technique, also apply an independent developed mobile frequency compression, expander circuit, image frequency limiting circuit, a multiple checked silent and noisy circuit, antenna diversity receiving circuit, switch impact noise defeat circuit, resist reverb eration circuit and changed output controlled slowly system and finished on its item named pattern line. Eery system is available to an excellent electric function by Q.C. strictly.

FOREWORD

Your new series of wireless system is designed to give you the best of both sound reinforcement worlds: the freedom of wireless system, and excellent quality. This manual covers each of the series system: **The VocalArtist-UHF, The Presenter-UHF, The Headset-UHF, and The Guilarist-UHF.**

SYSTEM FEATURES

1. Adopt the PLL-Synthesized control technic, Multi-UHF channels.
2. The UHF frequency range is 523-597.8 MHz, avoiding the frequency interruption.
3. LCD information display.
4. Double noise squelch operation circuit and system will be higher, efficient and much more steady.
5. Use the dynamic type and Uni-directional cartridge, clear to show the sound.
6. High efficient and low consumption design.
7. Use the high extension antennas, the operating distance will reach 50m.

SYSTEM TYPE

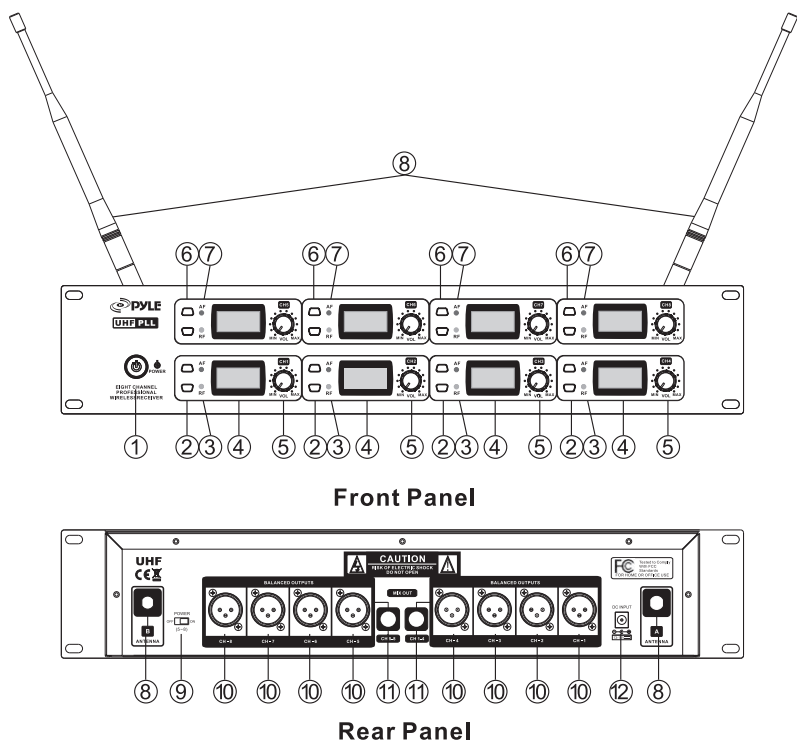
The Vocal Artist-UHF is a hand-held system designed for singers who desire the high quality of microphones and the freedom of wireless performance.

The Presenter-UHF is a body-pack system designed for public speakers who prefer an inconspicuous, hands-free lavalier microphone.

The Headset-UHF is a body-pack system designed for users in physically active applications, who desire the freedom of hand-free microphone.

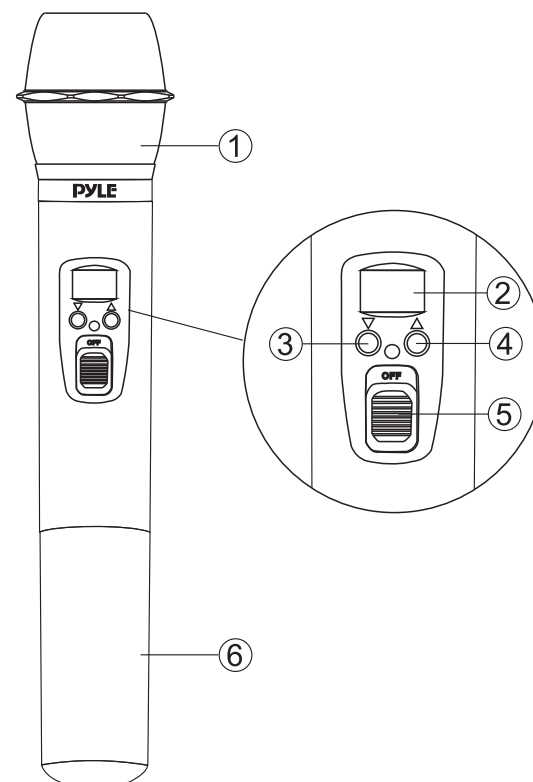
The Guitarist-UHF is a body-pack system designed for use with electric guilars, basses, and other electric instruments.

FOUR CHANNEL RECEIVER FEATURES



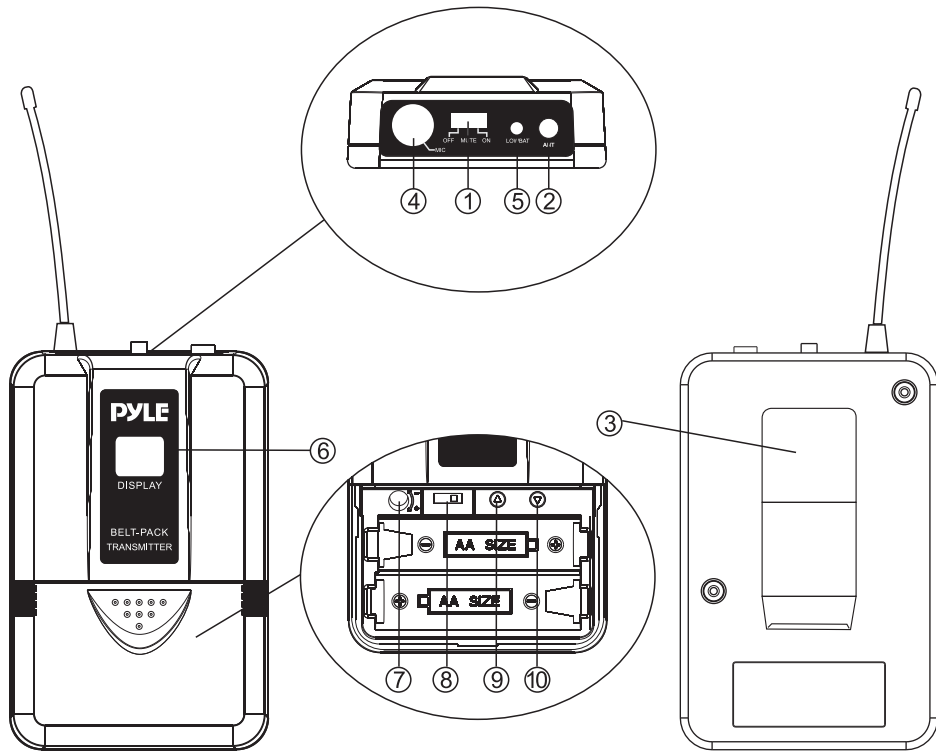
1. **Power Button:** Power **ON/OFF** the receiver.
2. **Down Function Button:** Sets channel data.
3. **"RF" Signal Indicator:** It glows when the Receiver receive RF signal from Transmitter.
4. **LCD Information Display:** Show the receiver frequency channel ect.
5. **Volume Knob:** Adjust the volume output of receiver.
6. **Up Function Button:** Sets channel data.
7. **AF Audio Level Indicator:** Indicate the wireless system audio signal level.
8. **Antenna.**
9. **Power switch of CH5-8:** When switch to "ON" position, it means CH5 to CH8 is on, all channcls from 1 to 8 is on for working. When switch to "OFF" position, it means CH5 to CH8 is off, only CH1 to CH4 is ON for working.
10. **XLR Balanced Output Jack:** Connect the audio cable from this jack to the input port of amplifier, mixer.
11. **1/4" Audio Output Jack:** Connect the audio cable from this jack to the input port of amplifier, mixer. (CH1-4 or CH5-8)
12. **Power Jack:** Connect the AC/DC adapter to receiver.

MICROPHONE-TRANSMITTER FEATURES



1. **Grille:** Protects the cartridge and help reducing the breath sounds and wind noise.
2. **LCD Information Display:** Show the transmitter frequency channel ect.
3. **Down Function Button:** Sets channel data.
4. **Up Function Button:** Sets channel data.
5. **Power and Audio Mute Switch.**
6. **Battery Cover:** Open it to install the battery.

BODY-PACK TRANSMITTER FEATURES



1. Power and Audio Mute Switch.

2. Antenna: Transmit the RF signal of transmitter.

3. Belt Clip: Attach the transmitter to the belt.

4. Audio Input Jack: Suitable for lavalier system/headset system.

5. Low Battery Indicator: Red light glows when it is lack of power and should renew the battery.

6. LCD Information Display: Show the transmitter frequency channelect.

7. Gain Adjusting Volume: Adjust the transmitter audio input gain.

8. State Setting Switch: Set the using state of lavalier system (L) / headset system (H) / guitar system (G).

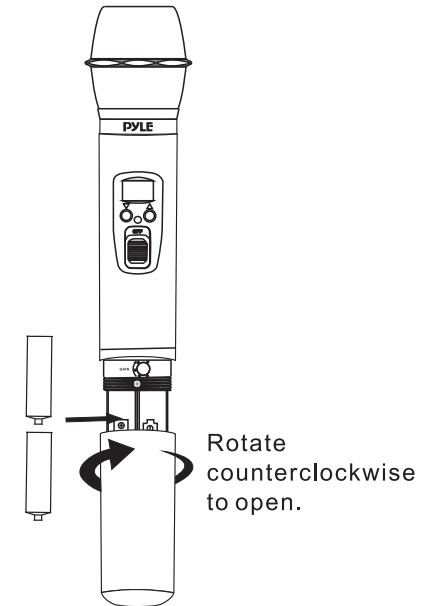
9. Up Function Button: Sets channel data.

10. Down Function Button: Sets channel data.

TRANSMITTER BATTERY INSTALLATION

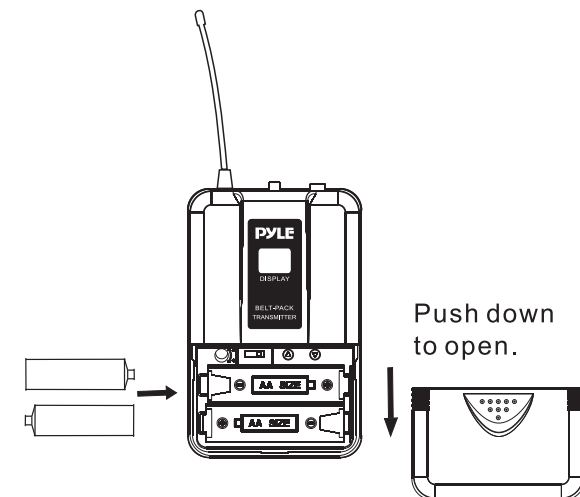
1. Battery Installation of Handheld Microphone: Open the battery cover.

Insert the supplied batteries into battery jar in polarity and cover the battery.



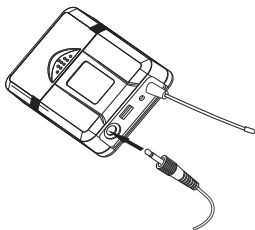
2. Battery Installation of Bodypack Transmitter: Push open the battery cover.

Insert the supplied batteries into battery jar in polarity and close the battery cover.

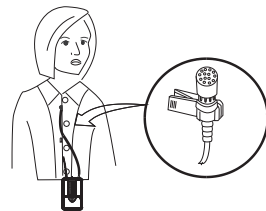


BODYPACK TRANSMITTER CONNECTION

- 1. Lavalier Microphone Connection:** Connect the connector of supplied lavalier microphone to the connecting jack of transmitter (shown as below) Set the transmitter work state in wireless lavalier system (L).

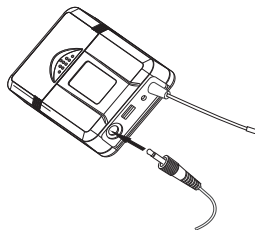


(a)



(b)

- 2. Headset Microphone Connection:** Connect the connector of supplied headset microphone to the connecting jack of transmitter (shown as below) Set the transmitter work state in wireless headset system (H).



(a)



(b)

OPERATING INSTRUCTIONS

- 1. Receiver Operation:** Power **ON** receiver, press twice "**UP**" button of module 2 and 3 together for 1 second to enter the adjustment, when the LCD displays "**UnLOC**", it is under "Normal Operation". When the LCD displays "**LOC**", it is under "Locking Operation".

a. Normal Operation

- Press and hold "**UP/DOWN**" button, release the button once the CH number begins to flash
- When it is flashing, continue to press "**UP/DOWN**" button to increase /decrease the channel orderly, select the desired channel
- The selected channel will be saved automatically without any action for 5 seconds
- Please refer to the following list for showing the adjusting channels.

b. Locking Operation

- Press and hold "**UP/DOWN**" button, release the button once the CH number begins to flash
- When flashing, continue to press "**UP/DOWN**" button to increase/decrease the channel orderly, select the desired channel
- Once done with the channel adjustment of any module, the channels of the other seven modules will be changed automatically without any action to select the channels under same group.
- The channels will be save automatically for using without any action for 5 seconds.
- Please refer to the following list for showing group information.

2. Transmitter Operation

Power ON transmitter

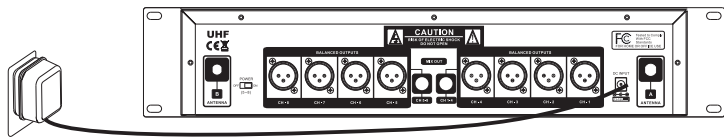
- Press and hold "**UP/DOWN**" button, release the button once the CH number begins to flash
- When it is flashing, continue to press "**UP/DOWN**" button to increase /decrease channel orderly, select the same channel as chosen on receiver.
- The selected channel will be saved automatically without any action for 5 seconds.

- 3. Please pay attention:** In using multi-microphones together with better effect (less interference), we suggest to choose 8 frequencies under same group for using.

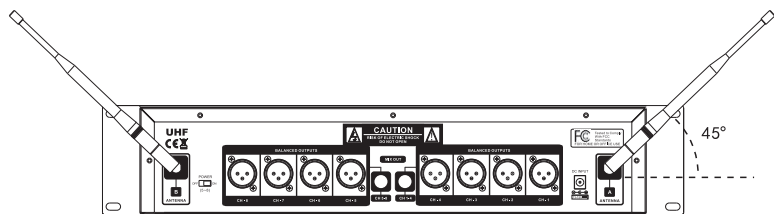
	Adjustable Freq. from Module 1 to 4				Adjustable Freq. from Module 5 to 8			
Group "0"	CH:01	CH:02	CH:03	CH:04	CH:05	CH:06	CH:07	CH:08
	523.200	525.525	539.400	545.075	573.225	577.975	585.375	595.375
Group "1"	CH:11	CH:12	CH:13	CH:14	CH:15	CH:16	CH:17	CH:18
	523.500	525.925	539.700	545.375	573.525	578.275	585.575	595.575
Group "2"	CH:21	CH:22	CH:23	CH:24	CH:25	CH:26	CH:27	CH:28
	523.800	527.225	540.000	545.575	573.825	578.575	585.975	595.975
Group "3"	CH:31	CH:32	CH:33	CH:34	CH:35	CH:36	CH:37	CH:38
	524.100	527.525	540.300	545.975	574.125	578.875	587.275	595.275
Group "4"	CH:41	CH:42	CH:43	CH:44	CH:45	CH:46	CH:47	CH:48
	524.400	527.825	540.500	545.275	574.425	579.175	587.575	595.575
Group "5"	CH:51	CH:52	CH:53	CH:54	CH:55	CH:56	CH:57	CH:58
	524.700	528.125	540.900	545.575	574.725	579.475	587.875	595.875
Group "6"	CH:61	CH:62	CH:63	CH:64	CH:65	CH:66	CH:67	CH:68
	525.000	528.425	541.200	545.875	575.025	579.775	588.175	597.175
Group "7"	CH:71	CH:72	CH:73	CH:74	CH:75	CH:76	CH:77	CH:78
	525.300	528.725	541.500	547.175	575.325	580.075	588.475	597.475
Group "8"	CH:81	CH:82	CH:83	CH:84	CH:85	CH:86	CH:87	CH:88
	525.500	529.025	541.800	547.475	575.525	580.375	588.775	597.775

SYSTEM CONNECTION

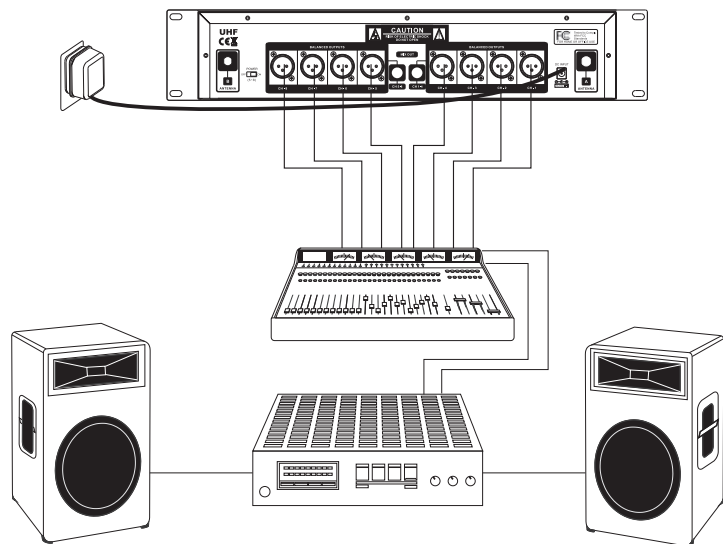
- 1. Receiver Power Connection:** Connect the DC connector of supplied AC/DC adapter into the DC power input of receiver. Plug the AC Input connector into an AC120/60Hz or AC220V/50Hz outlet. (Shown as below)



- 2. Antenna:** Keep the position of antenna at a 45 angle from vertical. (Shown as below)



- 3. Audio Connection:** Connect the corresponding output of receiver by supplied 1/4w phone jack audio cable or your XLR cable to the Input of power amplifier, mixer.



TROUBLESHOOTING

PROBLEM	INDICATOR STATUS	SOLUTION
No Sound	Red transmitter indicator is not flashing	Slide transmitter POWER ON/OFF switch to ON position. Make sure battery is inserted properly, observing battery (+/-). If the battery is inserted properly, replace with fresh battery.
No Sound	Red transmitter indicator is flashing	Slide transmitter MUTE/ON switch to ON position
No Sound	Red receiver POWER light off	Make sure AC adapter is securely plugged into electrical outlet and into DC input connector. Make sure AC electrical outlet works and supplies proper voltage
No Sound	Receiver signal indicators A/B lights glowing	Turn up receiver volume control. Confirm that the output connections from the receiver to the external equipment are secure
No Sound	Receiver signal indicators A/B lights off. Transmitter and receiver POWER lights glowing	Confirm transmitter and receiver~ frequency match. Move transmitter closer to receiver.
Sound level differs from the level of a cabled Instrument.	Receiver signal indicators A/B lights glowing	Adjust transmitter gain level to compensate. Adjust receiver volume as necessary
Sound level differs from the level of different guitars	Receiver signal indicators A/E lights glowing	Readjust transmitter gain level to compensate differences in guitar outputs
Distortion level increases gradually	Receiver signal indicators A/B lights and transmitter LOW BATTERY light glowing	Replace transmitter battery
Bursts of noise or other audible radio signals present	Signal indicators A/B lights ON	Identify potential sources of interference (other RF sources) and turn OFF, remove or use a wireless system operating on a different frequency
Momentary loss of sound as transmitter is moved around performing area.	Receiver signal indicator A/B lights OFF when sound is lost	Reposition receiver and perform walk-through again. If audio dropouts persist, mark "dead" spot-and avoid them during performance.

SYSTEM SPECIFICATIONS

• RF Carrier Frequency Range:

Approximately 523 to 597.8 MHZ (Available frequencies depend on applicable regulations in country where system is used).

• Operating Range: 50m (approximately 164ft) under typical conditions

• Audio Frequency Response: 100 to 18,000Hz, ± 3 dB

• THD: <1%

• Mobile state Range: > 100dB

Operating Temperature Range

-20.2°F to 165.2°F (-29°C to 74°C)

NOTE: Battery characteristics may limit this range.

OPTIONAL ACCESSORIES

1/4" to 1/4" Cable (The Guitarist -UHF only)

1/4" to Miniature Connector

1.8 Meter (6ft.) Receiver-Mixer Cable

RECEIVER SPECIFICATION

Power Requirements	120V or 230VAC adaptor with 2.1 mm female plug
Power Requirements	13 - 15 V DC nominal, 500mA+
Signal/Noise Ratio	MORE THAN 85dB
Border Upon Channel Rejection	MORE THAN 70dB
Image & Spurious Rejection	MORE THAN 70dB
Audio Output Level	(.) ± 300 mV
Receiving Sensitivity	-105dBm
Dimensions	482MM X 223MM X 97MM

HAND-HELD TRANSMITTER SPECIFICATIONS

Power Requirements	1.5VAA battery X 2
Nominal Current Drain	LESS THAN 100mA
Modulation Type	FM
RF Output	MORE THAN 10dBm
Max Deviation	± 70 KHz
Spurious Emission	MORE THAN 55dB
Dimensions	257MM X 51.5MM X 51.5MM

BODY-PACK TRANSMITTER SPECIFICATIONS

Power Requirements	1.5VAA battery X2
Nominal Current Drain	LESS THAN 100mA
Modulation Type	FM
RF Output	MORE THAN 10dBm
Max Deviation	± 70 KHz
Spurious Emission	MORE THAN 55dB
Dimensions	105MM X 65MM X 30MM