

Visit Our Website



SCAN ME
PyleUSA.com

INDOOR/OUTDOOR WEATHERPROOF SPEAKER SYSTEMS

PYLE
PyleUSA.com

USER GUIDE

Features:

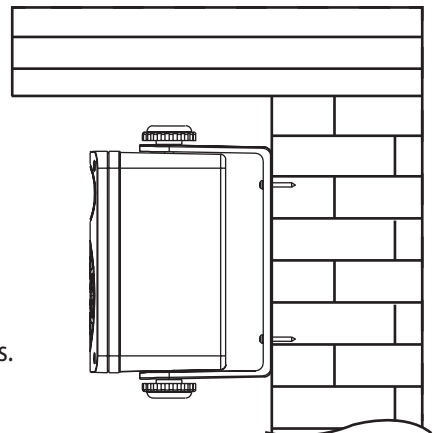
- Excellent for use on Boats Marinas, Decks, Patios, Poolside, Outdoors, Etc.
- Completely Water Proof
- Each PDWR40B Features:
 - 5 1/4" Aluminum Injection Cone Woofer
 - 40 OZ. Magnet Structure
 - 1"High Compliance Myiar Tweeter
 - Capacitor Crossover Network
 - Bass Reflex Vent for added Bass Response
- Heavy Duty ABS Construction
- Quick Connect/Disconnect Speaker Terminals
- Unique Spring Loaded Mounting System
- Removable Rustproof Mesh Grills
- Power: 200 Watts RMS/400 Watts Peak
- Frequency Response: 40-22K HZ
- Impedance: 4 Ohms
- Dimensions: 6.25"(W) x 9.25"(H) x 5.75"(D)

Installation

MOUNTING THE BRACKET

1. Remove the bracket knobs and the bracket from the speaker.
2. Hold the bracket up to the mounting surface. "PYLE" can be mounted either horizontally or vertically. Hold the bracket so that the speaker wire fits through the large, circular wire hole in the bracket. Align the bracket to be square with the surrounding. (Use a level for accuracy)
3. Mark the locations of the three shaped screw holes. Use all of the holes.
4. Drill pilot holes into the mounting surface.
5. Gently pull the speaker wire through the wire hole in the center of the mounting bracket. Align the bracket so that the holes all line up.
6. Use your hardware to attach the bracket to the mounting surface.

MOUNTING



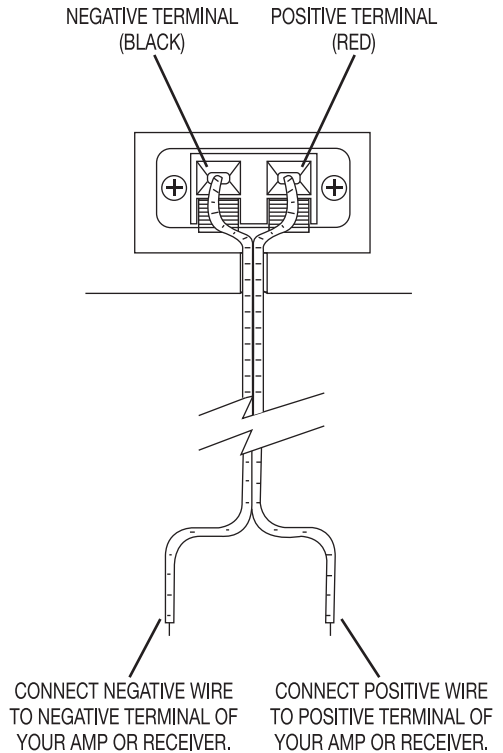
FINAL ADJUSTMENTS

1. After checking that the speaker is in phase and works correctly, angle the speaker for the best sound.
2. Hand-tighten the bracket knobs only. Power tools may over-tighten the knob and strip the threads of the insert.
3. Check that the entire installation is safe and secure.

Connecting Your Speakers

Connecting the speakers to your amplifier or receiver.

- First, turn your amplifier off to avoid damage which may result from accidental shorting of the speaker leads.
- Correct phase polarity is critical for proper stereo imaging and bass performance. The red (+) terminal on your amplifier or receiver must be connected to the red (+) terminal on your speaker; the same applies to the black (-) terminal.
- Connect one loudspeaker at a time to ensure proper connection of left and right channels. Make sure all wires are firmly fastened.
- If you notice a high level of bass or central image focus, double-check your connections for proper polarity.



California Prop 65 Warning

WARNING:

This product can expose you to chemicals, which is known to the state of California to cause cancer birth defects and other reproductive harm. Do not ingest.

For more info go to: www.P65warnings.ca.gov



Questions or Comments?
We are here to help!
Phone: 1.718.535.1800
PyleUSA.com/ContactUs