

MULTI-GUITAR STAND

QUICK INSTALLATION GUIDE



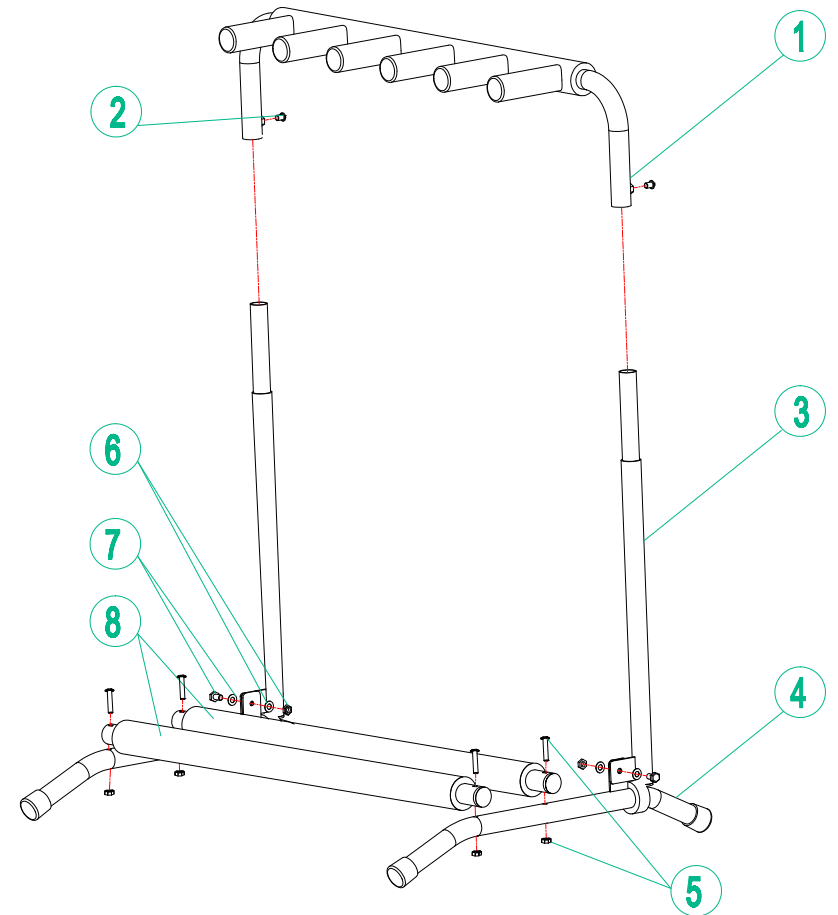
PGST43

Thank you for choosing this multi-guitar stand

Please find all the parts described in the diagram at the top-right.

1. Install the parts as per the diagram at the top-right.
2. Tighten all nuts, bolts, and screws.
3. Remove all guitars before moving the stand.

For more information please contact local distributor



1. Neck Rest
2. Tightening Bolt
3. Vertical Support Tube
4. Leg Tube
5. Bolt and Nut to mount leg w/ guitar body rest (8)
6. Nut and Washer
7. Bolt and Washer
8. Guitar Body Rest

PYLE[®]
PyleUSA.com