

# Portable Electronic Guitar Amplifier

## 5" High-Definition Speaker with Volume, Bass and Treble Controls

**PYLE**  
PyleUSA.com

### USER GUIDE

**CAUTION: READ THIS BEFORE OPERATING YOUR UNIT.**

#### Precautions

To assure the finest performance, please read this manual carefully. Keep it in a safe place for future reference.

- Install this unit in a well ventilated, cool, dry, clean place - away from direct sunlight, heat sources, vibration, dust, moisture, and/or cold. (Do not use/keep this unit in a car etc.)
- Locate this unit away from other electrical appliances, motors, or transformers to avoid humming sounds.



#### Power Supply

Be sure to turn the power **OFF** when the unit is not in use. Remove the batteries from the instrument to prevent possible leakage of the battery fluid if the instrument is not to be used for a long time. If using a power adapter, please connect the designated AC adapter to an AC outlet of the correct voltage. Do not connect it to an AC outlet of voltage other than that for which your unit is intended.

#### Interference with other Electrical Devices

Radios and televisions placed nearby may experience reception interference. Operate this unit at a suitable distance from radios and televisions.

#### Handling

Do not use force on switches, knobs, and/or cords.

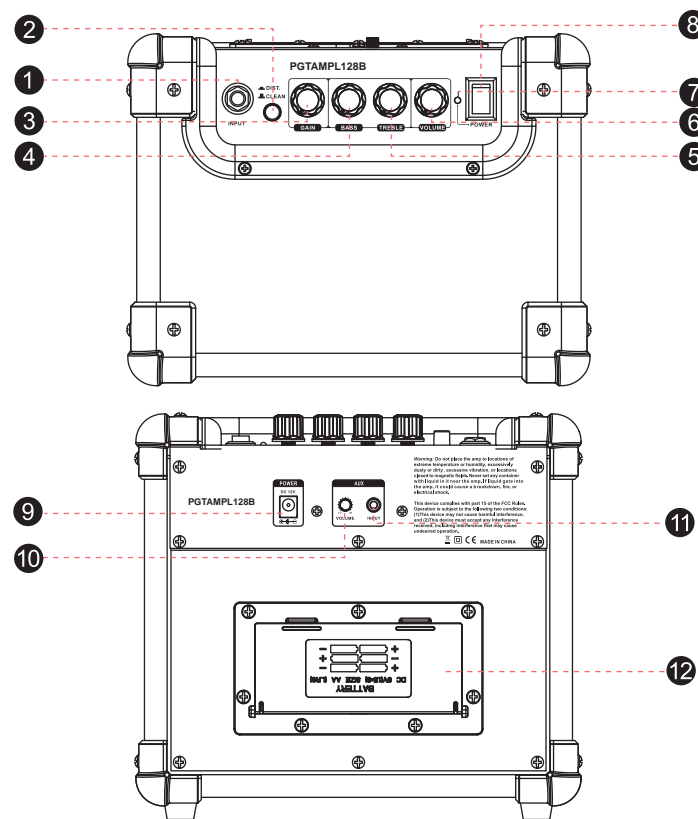
#### Care

Do not clean this unit with chemical solvents; this might damage the finish. Use a clean, dry cloth.

#### Keeping foreign matter out of your equipment

Avoid installing this unit where foreign objects may fall onto this unit and/or this unit may be exposed to liquid dripping or splashing.

#### Controls and functions

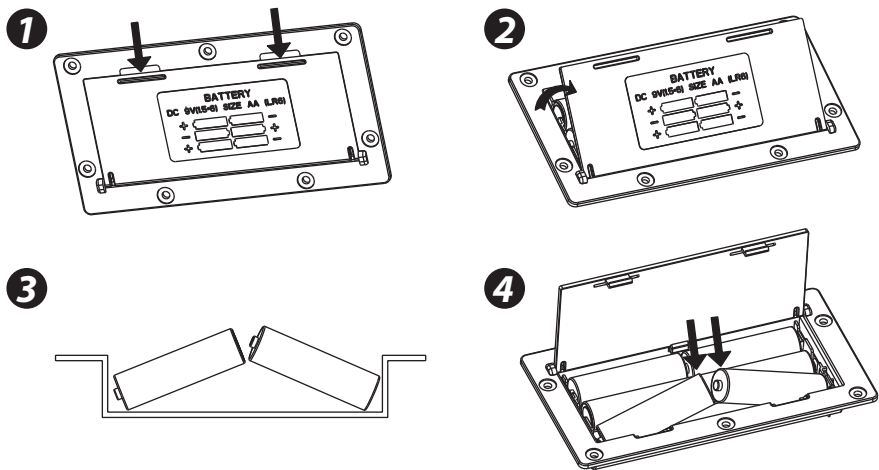


1. **Guitar Input:** Link to an electric guitar by guitar cable
2. **Distortion Button:** Select clean sound or distortion sound (Press to select distortion effect)
3. **Gain Knob:** Adjust distortion level (works only when distortion effect selected)
4. **Bass Knob:** Adjust guitar bass tone
5. **Treble Knob:** Adjust guitar treble tone
6. **Volume Knob:** Adjust volume
7. **LED Light:** Power indicator
8. **Power Switch:** Switch On/Off power. Power indicator is lit when power ON.
9. **Power In:** AC 12V adapter input
10. **AUX Volume Control:** Adjust AUX music volume
11. **AUX In:** Link to a 3.5mm gauge audio cable
12. **Battery Compartment:** Load 6 AA batteries.

#### Reminder:

When AC 12V adapter is connected, the battery power will turn off. When the adapter is disconnected, the battery power will connect automatically.

## Battery Load



### Please follow the steps below to implement battery connection:

1. Press the buckle and pull out to open the battery compartment lid as shown by diagram 1 and 2.
2. Insert two batteries according to the polarity direction marked as shown by diagram 3. And then press the joint area as shown by diagram 4 to load batteries successfully.
3. Load all the other four batteries following step 2 and cover the battery compartment lid.

### Features:

- Heavy Duty Wood Construction
- 5" High-Definition Speaker
- Volume, Bass, and Treble Controls
- 3. 55mm Aux Input
- Carry Handle
- Power On/Off Switch w/ LED Indicator
- Functions: Input, Drive Switch, Volume, Treble, Bass
- Portable and Lightweight for Easy Transport

### What's in the Box:

- Electronic Guitar Amplifier

### Technical Specs:

- Power Supply: 10 Watts
- Power Output: AC110V/220V Switchable
- Construction Materials: Lightweight Plywood, Coated by High-Quality Leather
- Product Dimensions (L x W x H): 9.37" x 7.04" x 8.82" –inches

## FCC Warning:

This equipment has been tested and found to comply with the requirements for a Class B digital device under Part 15 of the Federal Communications Commission (FCC) rules. These requirements are intended to provide reasonable protection against harmful interference in a residential installation. This equipment generates uses and can radiate radio frequency energy and, if not installed and used in accordance with the instructions, may cause harmful interference to radio communications. However, there is no guarantee that interference will not occur in a particular installation. If this equipment does cause harmful interference to radio or television reception, which can be determined by turning the equipment off and on, the user is encouraged to try to correct the interference by one or more of the following measures:

- Reorient or relocate the receiving antenna.
- Increase the separation between the equipment and receiver.
- Connect the equipment into an outlet on a circuit different from that to which the receiver is connected.
- Consult the dealer or an experienced radio/TV technician for help.

### Caution:

Any changes or modifications to this device not explicitly approved by manufacturer could void your authority to operate this equipment. This device complies with part 15 of the FCC Rules. Operation is subject to the following two conditions: (1) This device may not cause harmful interference, and (2) this device must accept any interference received, including interference that may cause undesired operation. This equipment complies with FCC radiation exposure limits set forth for an uncontrolled environment. This equipment should be installed and operated with minimum distance 20cm between the radiator & your body.



### Questions? Issues?

We are here to help!

Phone: (1) 718-535-1800

Email: [support@pyleusa.com](mailto:support@pyleusa.com)

### California Prop 65 Warning

#### ⚠️ WARNING:

This product contains Nickel carbonate which is known to the state of California to cause cancer birth defects and other reproductive harm. Do not ingest.

For more info go to: [www.P65warnings.ca.gov](http://www.P65warnings.ca.gov)