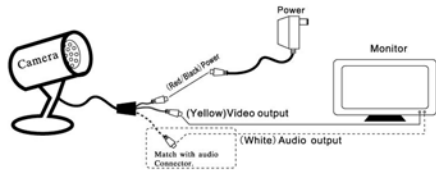


CCTV CAMERA

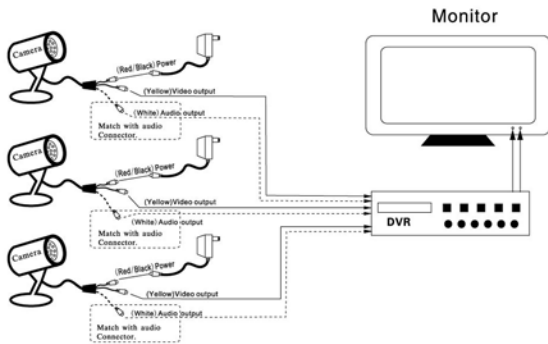
User Manual

PHCM30

Basic system connection



Extended system connection



PYLE

www.PyleAudio.com

COLOR CCD CAMERA

Specification

Image Sensor	<input type="checkbox"/> SONY CCD <input checked="" type="checkbox"/> SHARP CCD	■ 1/4" <input type="checkbox"/> 1/3"
Audio	<input type="checkbox"/> Yes	■ No
TV System	<input checked="" type="checkbox"/> NTSC	<input type="checkbox"/> PAL
Validity Pixel	PAL:510(H)x492(V) NTSC:500(H)x582(V)	
Horizontal Definition	420 TV Line	
IR LED	8PCS/12PCS/18PCS/24PCS /30PCS/36PCS/42PCS/48PCS	
IR View Distance	10M/15M/20M/25M/30M/35M /40M/50M/80M	
Minimum Illumination	0.3Lux	
Electronic Shutter Speed	1/50(1/60)~1/100000sec	
Synchronization System	Internal	
Scanning Frequency(H)	15.625KHz	15.734KHz
Scanning Frequency(V)	50Hz	60Hz
S/N Ratio	≥48dB	≥50dB
Operation Temperature	-10 C~60 C	
Operation Humidity	85%RH	

WARNING



To prevent fire or shock hazard. Do not expose the unit to rain or moisture.
The symbol is intended to alert the user to the presence of important operating and maintenance (servicing) instructions in the literature accompanying the appliance.



The symbol is intended to alert the user to the presence of uninsulated "dangerous voltage" within the products enclosure that may be of sufficient magnitude to constitute a risk of electric shock to persons.



CAUTION

Risk of Electric shock
Do Not Open

CAUTION:

TO REDUCE THE RISK OF ELECTRIC SHOCK
DO NOT REMOVE COVER OR BACK, NO USER
SERVICEABLE PARTS INSIDE. REFER SERVICE
TO QUALIFIED SERVICE PERSONNEL.



CAUTION:

TO PREVENT
ELECTRIC
SHOCKS AND RISK OF
FIRE HAZARDS. DO NOT
USE OTHER THAN
SPECIFIED POWER.

WARNING

This equipment has been tested and found to comply with the limits for a class A Digital device. Pursuant to part 15 of the FCC Rules. These limits are designed to provide reasonable protection against harmful interference when the equipment is operated in a commercial environment. This equipment generates, uses, and can radiate radio frequency energy, if not installed and used in accordance with the instruction manual, may cause harmful interference to radio communications. Operation of this equipment in a residential area is likely to cause harmful interference in which case the user will be required to correct the interference at his own expense.

CAUTION

Any changes or modifications in construction of this device which are not expressly approved by the manufacturer responsible for compliance could void the user's authority to operate the equipment.

CAUTIONS:

1. In order to protect the camera, avoid placing or using it under direct sunlight, rain or dust.
2. Please keep glass surface clean, make otherwise light sensor an expiration.
3. Don't aim stronger light, otherwise it will cause to be ineffective of pictures
4. Don't touch the CCD sensor directly with your fingers. If necessary, don't use high strength corrosive clearing the glass. Use soft cloth moistened with alcohol to wipe off the dust.
5. When the camera is not in use. Keep the lens or cap being attached to protect the CCD sensor.
6. Don't drop your camera or give it a strong shock or vibration. Or it will incur malfunction.