



www.pyleaudio.com

## INSTRUCTION & INSTALLATION SHEET PIC6E/PIC8E In-Ceiling Speaker

### 1. Introduction

The Pyle Home PIC6E/PIC8E both feature adjustable silk dome tweeters and adjustable treble contro, allowing you to select + 3dB, 0dB, -3dB adjustments. These speakers are optimized for the demands of home theater applications, and incorporate a 2 Way speaker design, with a Poly Cone woofer made from UFLC (Urethane Film Laminated Cloth). This set includes paint rings and installation hardware, and pre-construction installation, and pre-construction installation brackets are also available seperately.

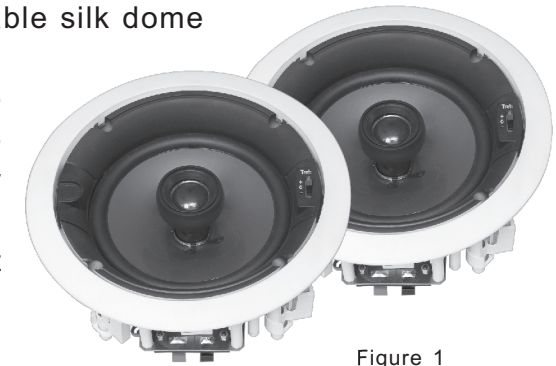


Figure 1  
(shown with grill removed)

**Disclaimer: Make sure you are in compliance with local building codes before installing this speaker, These Pyle Home In-Ceiling Speakers are suitable for moisture rich environments such as bathrooms or saunas, but not outdoor applications.**

### 2. Description

The PIC6E/PIC8E are made from a durable, semi-flexible plastic material that feature built in foam gaskets to minimize vibration and maximize the installation seal. They also feature a perforated metal grill with an acoustically transparent scrim cloth to enhance the speakers appearance once installed. Pyle Home In-Ceiling speakers are paintable, and well suited for moisture rich environments. They also feature flip out tabs for easy installation and removal.

### 3. Installation

Installation of this PIC6E/PIC8E In-Ceiling speakers can be easily accomplished at multiple stages of the construction process, whether it be "Rough In" (before drywall) or "Trim-Out" (after drywall is installed and painted)

A. "Rough-in" steps:

**NOTE: It is recommended that a minimum of 16 gauge, 4 conductor wire be used for most applications from the amplifier or volume control to this speaker. Different gauges can, and should, be used based upon the distance of the intended run or quality of installation(see Figure2).**

Distance	Gauge
<10 Feet	18
10-50 Feet	16
>50 Feet	14

Figure 2



www.pyleaudio.com

## INSTRUCTION & INSTALLATION SHEET PIC6E/PIC8E In-Ceiling Speaker

1.Run x/4 conductor (x=gauge preference) stranded speaker wire from the distribution/volume control to the speaker location (pre-wiring).

2.If PYLEAUDIO Speaker Pre-Construction Bracket is to be used, skip to **Step "5"**.

3.If pre-wiring without using the PYLEAUDIO Pre-Construction Speaker Brackets, leave 4 to 6 feet of wire at the speaker's intended location. Use a strip of cardboard stapled to the joints/studs with a hole through it as a wire place holder for the drywall installers if installation of the speakers is intended ( **see Figure 3**).

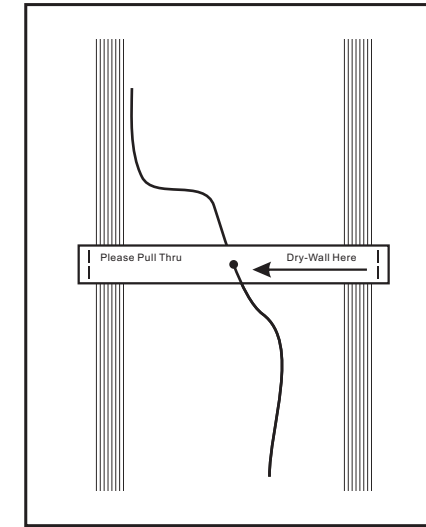


Figure 3

4.After drywall and/or painting is complete, push wire though hole, center template over hole, mark with a pencil and cut out with a drywall knife.

5. When using the PYLEAUDIO Pre-Construction Bracket (see figure 4), leave a coil of speaker wire on top of the bracket coiled around the speaker mounting hole. There are clips on the corner of the bracket to secure the speaker wire. Leave enough speaker wire to be able to pull the wire through the speaker after the drywall is installed. Strip off 3 inches or so of the speaker cable jacket to expose the positive and negative insulate wires. Strip 3/8-1/2 inch of insulation off of these conductors.

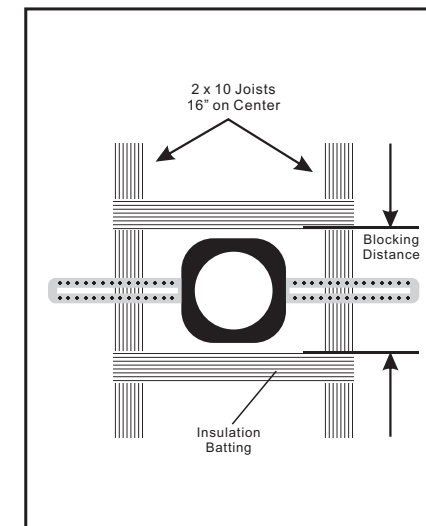


Figure 4

6. It is recommended to place insulation behind the speaker to provide some damping for the woofer driver. This will yield the best possible sound. PYLEAUDIO recommends using poly-encapsulated insulation such as Johns Manville Comfort Therm. If a defined, consistent sound is desired to yield the ideal cubic footage for the driver. Insulation would then be put in this space during speaker installation. **Refer to blocking chart for details.**

7. If installing the speaker in a space with an attic above it is recommended that the speaker be boxed in with 1/2 inch MDF (medium density fiber board) or plywood with insulation installed. This will provide a defined acoustic space and protect the speaker. The best possible sound will be achieved by doing this. **Refer to the blocking chart for details.**

**NOTE: Make sure you are in compliance with local building codes before installing this speaker in an attic space.**



www.pyleaudio.com

## INSTRUCTION & INSTALLATION SHEET PIC6E/PIC8E In-Ceiling Speaker

B. "Trim-out steps:

1. After drywall and/or painting is complete, push the speaker wire through hole, center template over hole, mark with a pencil and cut out with a dry-wall knife.

2. Hold the speaker with one hand, (if speaker grill is off, pay careful attention **not** to push on the woofer's cone, this can cause permanent distortion of the voice coil, thus producing a mechanical rubbing sound or speaker failure), push in the speaker terminal connectors and insert wires; remove speaker grill. Be sure to have the positive wires in the RED terminals and the negative wires in the BLACK terminals.

**NOTE: Wiring both drivers of this speaker identically as the above instruction states will yield a speaker whose drivers are "in phase". If one speaker driver is wired opposite of the other, the speaker drivers will be "out of phase" with one another. If the speaker drivers are "out of phase" the sound might appear smeared (canned) and a significant loss of bass might be noticeable due to phase cancellation. Make sure every installed speaker is correctly phased.**

3. Rotate the speaker driver towards the listening area and use one hand to push the speaker into the cut out (again, pay careful attention **not** to push on the woofer's cone this can cause permanent distortion of the voice coil, thus producing mechanical rubbing sound or speaker failure) and the other to turn the screws that engage the installation tabs (see Figure5). Tighten the tabs in a cross or X-pattern until "snug". Be careful not to over tighten the tabs or damage could result. The speaker should appear flush to the surface.

**NOTE: If using a cordless drill/screwdriver, it is suggested that the screws be turned until almost tight, then finish tightening via a hand screwdriver.**

**NOTE: A strip of grill adhesive is provided to more securely attach the speaker grills on final installation. Simply insert several short strips evenly around the grill slot prior to installing the grill cover. Prior to final installation of the grill, adjust the tweeter for optimum sound at the listening area.**

PYLEAUDIO Speaker Blocking Chart

Blocking Distance	
16" on Center, 2x4	24.00"
16" on Center, 2x6	15.25"
16" on Center, 2x8	11.50"
16" on Center, 2x10	9.00"
16" on Center, 2x12	7.50"
24" on Center, 2x4	15.50"
24" on Center, 2x6	10.00"

Blocking Distance	
16" on Center, 2x4	71.5"
16" on Center, 2x6	45.50"
16" on Center, 2x8	34.50"
16" on Center, 2x10	27.00"
16" on Center, 2x12	22.25"
24" on Center, 2x4	46.00"
24" on Center, 2x6	29.50"

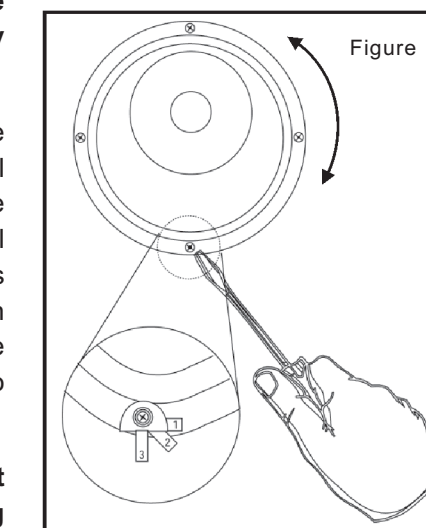


Figure 5

	PIC6E	PIC8E
Size/Type	6.5" In-Ceiling	8" In-Ceiling
Efficiency	88dB	88dB
Power (RMS/Peak)	125W/250W	150W/300W
Frequency Response	45-20KHz	35-20K
Woofer Type	Polypropylene	Polypropylene
Tweeter Type	UFLC Adjustable	UFLC Adjustable
Impedance	4-8 Ohm	4-8 Ohm

3260100333, PIC6E/PIC8E通用说明书: A3纸, 105G铜版纸单色印刷说明书, A版