

PIC8E

8" High Performance In-Wall / In-Ceiling Speakers
Dual 2-Way Stereo Speaker System, (300 Watt) (Pair)

PYLE
PyleUSA.com

USER MANUAL

Features

- Dual High-Performance Speakers
- In-Wall / In-Ceiling System
- 2-Way Full Range Stereo Sound
- Mounts Flush on Walls or Ceilings
- Poly Cone Full Range Mid-Bass Type
- Pivoting Voice Coil Tweeters
- Adjustable Treble Control Switch
- Integrated Mounting Hardware
- Environmentally Friendly ABS Construction
- Perfect for Custom Installations & Applications

What's in the Box:

- (2) 8" -inch Speakers
- Mounting Cut-Out Template

Sizes / Dimensions:

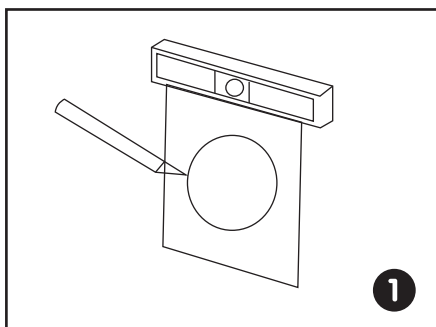
- Total Speaker Diameter: 10.6" -inches
- Cut-Out Diameter: 9.4" inches
- Total Speaker Depth: 3.9" -inches
- Mounting Depth: 3.7" inches

Technical Specifications:

- Power Output: 300 Watt MAX (150 Watt RMS)
- Speaker Type: 8" -inch Poly Cone, Mid-Bass
- Tweeter Type: 1" -inch Silk Dome, Pivoting
- Adjustable Treble Control (+3dB, 0, -3dB)
- Frequency Response: 35Hz-20kHz
- Sensitivity: 88dB
- Impedance: 80hm
- Materials: Engineered ABS, UFLC (Urethane Film Laminated Cloth)
- Single Speaker Weight: 3.3 lbs (-Each)
- Sold as: Pair



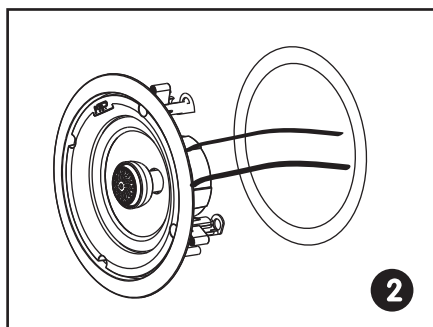
INSTALLATION GUIDE



1

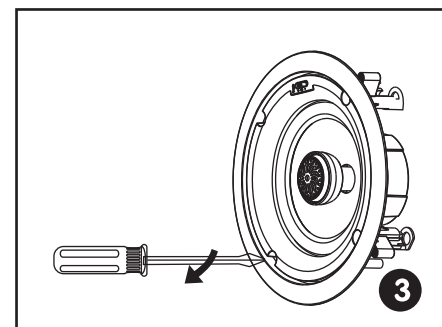
Cut the drywall.

Note: Always allow at least one-half inch between a wall stud and the speaker cutout or the locking tabs will not be able to swivel into place.



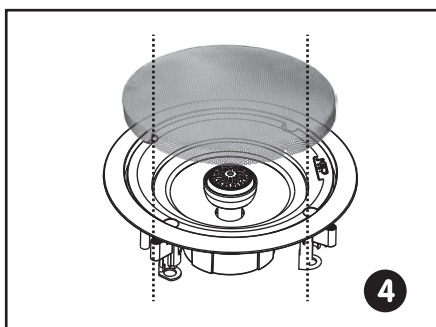
2

Connect the speaker wires to the speaker.



3

Screw down each of the four Phillips head screws. The locking tabs will swivel into place and secure the unit to the rear surface of the drywall. Put in the strips of adhesive to secure the grille.



4

Replace the metal grille.



VISIT US ONLINE:

Have a question?

Need service or repair?

Want to leave a comment?

PyleUSA.com/ContactUs

PYLE