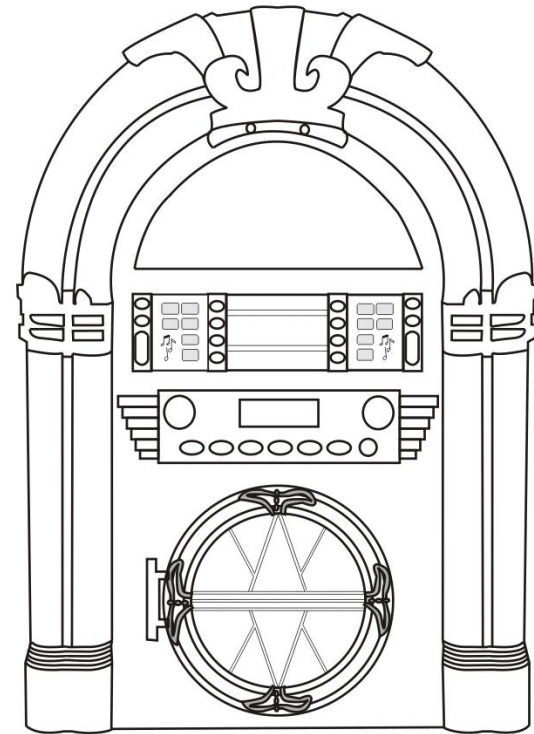


JUKE BOX OWNERS MANUAL

MODEL: PJUB25BT
AM/FM VINTAGE CD JUKE BOX



INSTRUCTION MANUAL

PLEASE READ ALL INSTRUCTIONS CAREFULLY AND RETAIN FOR FUTURE USE

IMPORTANT SAFETY INSTRUCTIONS

1. Read Instructions – All the safety and operating instructions should be read before the product is operated.
2. Retain Instructions – The safety and operating instructions should be retained for future reference.
3. Heed Warnings – All warnings on the product and in the operating instructions should be followed.
4. Follow all instructions – All operating and user instructions must be followed.
5. Cleaning – Unplug this product from the wall electric socket before cleaning. Do not use liquid cleaners or aerosol cleaners. Use a damp cloth for cleaning.
6. Attachments – Do not use attachments not recommended by the product manufacturer as they may cause hazards.
7. Water & Moisture – Do not use this product near water – For example, near Bath tub, wash bowl, kitchen sink or laundry tub, or near swimming pool etc.
8. Do not place this product on an unstable stand, tripod, bracket or table.
9. Ventilation – Slots and openings in the cabinet are provided for ventilation, to ensure reliable operation of the product and to protect it from overheating. These openings must not be blocked or covered. The openings should never be blocked by placing the product on a bed, sofa, rug, or similar surface. This product should not be placed in a built-in installation such as a bookcase or rack unless proper ventilation is provided or the manufacturer's instructions have been adhered to.
10. Power Source – This product should be operated only from the type of power source indicated on the marking label. If you are not sure of the type of power supply to your home, consult your product dealer or local power company.
11. Power Cord Protection – Power supply cords should be routed so that they are not likely to be walked on or by items placed upon or against them, paying particular attention to cords at plugs, convenience receptacles, and the point where they exit from the product.
12. Lightning – For added protection for this product, during a lightning storm or when it is left unattended and unused for long period of time, unplug it from the wall outlet. This will prevent damage to the product due to lightning and power-line surges.
13. Overloading – Do not overload the wall electric socket, extension cords as this can result in a risk of fire or electric shock.
14. Do not attempt to service this product yourself as opening or removing covers may expose you to dangerous voltage or other hazards. Refer all servicing to qualified service personnel.
15. The product should be placed away from heat sources such as radiators, stoves or other products (including amplifiers) that produce Heat.

Troubleshooting –

In case of trouble with the unit, please look through this chart and see if you can solve the problem by yourself before calling the Service Center –

	PROBLEM	CAUSE	SOLUTION
WHOLE UNIT	Power does not come on when the power switch is pressed	Unit is Unplugged	Connect the unit to the power adaptor supplied with the product
	No sound comes out of the speakers	The volume is turned down to low level. The input selector does not match the playback/source	Adjust the volume. Re-select the desired input source.
	The Sound is noisy	The unit is too close to a TV Set or another such device	Turn off the TV or other appliance or re-locate the Jukebox device
TUNER	Cannot listen to any station or signal appears weak	The station is not tuned-in properly. A TV set is being used nearby and is interfering with the radio reception	Tune-in the desired station properly. Turn-Off the interfering TV set.
	The sound is distorted.	The antenna is not oriented properly	Re-orient the antenna until the reception improves
CD PLAYER	CD stops immediately after starting, or unit pauses or stops during play	The CD is inserted upside down. The CD is dusty or dirty or there is condensation on the CD.	Insert the CD with the printed side right-side up. Carefully clean and dry the CD
	No sound	The CD Player is Paused	Press the Play/Pause button to resume playing the track
	Specific CD is noisy or playback stops or skips	The CD is scratched or damaged. The disc is very dirty.	The CD should be changed. Carefully clean the CD
	"nod" is shown on the CD display	The CD is scratched or damaged. The disc is very dirty.	The CD should be changed. Carefully clean the CD

LISTENING TO USB/SD card

1. Press the Power/Mode button until the Led Display indicate "USB" or "CArd". If not USB or SD card, the led display will indicate "no". Once the USB flash/SD card insert into the USB or SD card slot, it will automatically start playback. Press "Prev" or "Next" to select the previous or next track.
2. To select repeat one song, select the song that you want to repeat. Press "Prog" once, the Led display will show "1" on the bottom right corner.
3. Press "Prog" once again to repeat all tracks. The Led display will show "All" on the same corner.
4. Press "Prog" one more time to select Random. The Led display will show "RDM" on the top.
5. Press "Stop" button to stop playback.
6. To select the volume level, Turn the rotary Volume Control Knob.

LISTENING TO BLUETOOTH

1. Press the Power/Mode button until the Led Display indicate "bLUE", the Led display will flash. Pairing the audio source with the unit by select "JUKEBOX". Once it connected, the Led display will stop flashing.
2. You can select previous or next song by using the "Prev" or "Next" button on the front panel or using your audio source.
3. To select the volume level, you can turn the rotary Volume Control Knob on the front panel or control by your audio source.

LISTENING TO AUX-IN

1. Insert the provided Aux-in cable into the Aux-in Jack, the unit will immediately goes into Aux-in mode. The Led display will indicate "AUH".
2. Use the controls on your Aux-in audio source to select your desire songs.

Precautions – Safety Information –

CAUTION:

1. Use of controls and adjustments or performance of procedures other than those specified here, may result in hazardous radiation exposure.
2. If this product develops trouble, contact a qualified service center, and do not use the product in a defective state.

Safety Precautions

WARNING:

To reduce the risk of fire or electric shock, do not expose this appliance to rain or moisture.

CAUTION:

Use of controls or adjustments or performance of procedures other than those specified may result in hazardous radiation exposures.

CAUTION

RISKS OF ELECTRIC SHOCK- DO NOT OPEN!

To reduce the risk of electric shock, do not remove cover or back.

No user serviceable parts inside. Refer servicing to qualified service personnel.



The light flash with arrowhead symbol, within an equilateral triangle, is intended to alert user to the presence of no insulated "dangerous voltage" within the product's enclosure that may be of sufficient magnitude to constitute risk of electric shock to persons.



The exclamation point within an equilateral triangle is intended to alert user to the presence of important operating and maintenance (servicing) instructions in the literature accompanying the appliance.

**CAUTION:**

For compact disc units only: invisible laser radiation when open and interlock failed or defeated. Avoid direct exposure to laser beam.

PRODUCT COMPLIES WITH DHHS RULE 21 CFR SUBCHAPTER J IN EFFECT AT DATE OF MANUFACTURE.

See Markings on the back of the unit –

CAUTION:

To prevent electric shock, match wide blade of plug to wide slot, fully insert.

Unit Specifications –

Speaker –

Output Power: 2 Watts x 2

Frequency Response – 180 to 12,000Hz

Impedance – 4 Ohms

Input Power: Max 3 Watts

Tuner –

FM – Frequency Range – 87.5 to 108Mhz

AM – Frequency Range 522 to 1620Khz

General –

Power: 110V / 60Hz

Power Consumption: 9Watts

Unit Dimension (W*H*D): 270mm X 395mm X170 mm (approx.)

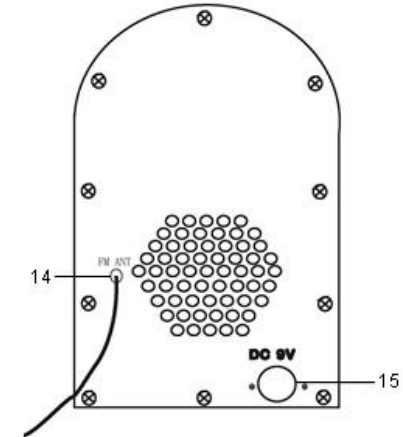
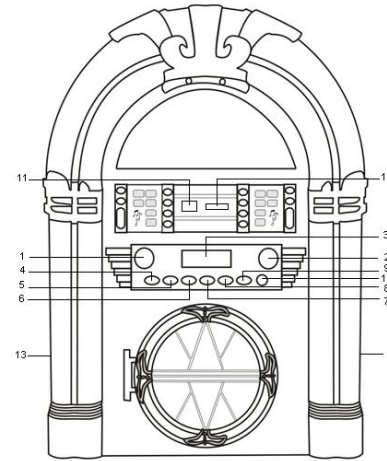
Weight: 5.79Lbs / 2.63Kg (approx.)

Standard Accessories – Power Adaptor, Instruction Manual, Aux Cable

Package Contents

- AM/FM Vintage Bluetooth Jukebox
- Power Adaptor
- AUX Cable
- Instruction Manual

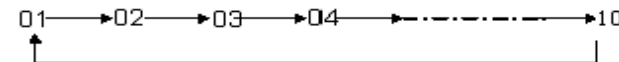
Description of Parts –



1. Volume Knob
2. Light On/ Off
3. LCD Display
4. Power / Mode
5. Play / Pause
6. Stop / Band
7. Previous Track / Rewind / Tuner -
8. Prog / Play Mode
9. Next Track / Fast Forward / Tuner +
10. Aux In
11. USB Slot
12. SD Card Slot
13. Speaker
14. FM Antenna
15. DC Input Socket (Power Adaptor Socket)

Listening to the Radio –

1. Press "POWER" button to choose "FM" Mode
2. Press "STOP/BAND" this button to choose "FM" or "AM" mode.
3. Press "PLAY/PAUSE" it would search for stations automatically and also search memory stations.
4. Search for stations as above mentioned. Press "PROG/PLAYMODE" repeatedly and select the channel you already searched. And the table number will be displayed



5. Manual Tuning – Press the "NEXT/FF/TUNER+" or "PREV/FW/TUNER-", it will increase or decrease 0.1 MHz respectively for FM and it will increase or decrease 10 KHz respectively for AM. Press and hold the "NEXT/FF/TUNER+" or "PREV/FW/TUNER-" for 2 seconds. The device will automatically start and search the frequencies for the next strong station and stop on that station.