

# PYLE

PyleUSA.com



## **USER'S MANUAL**

---

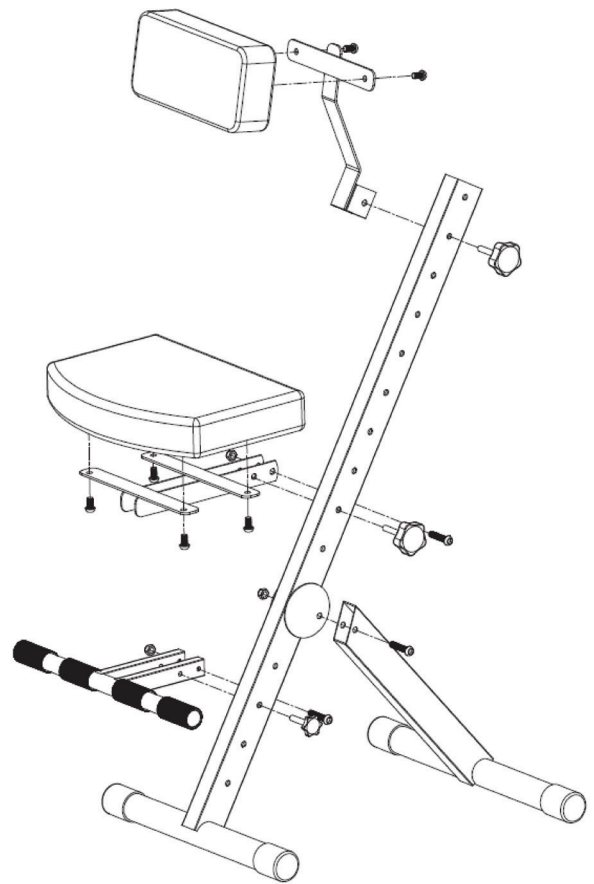
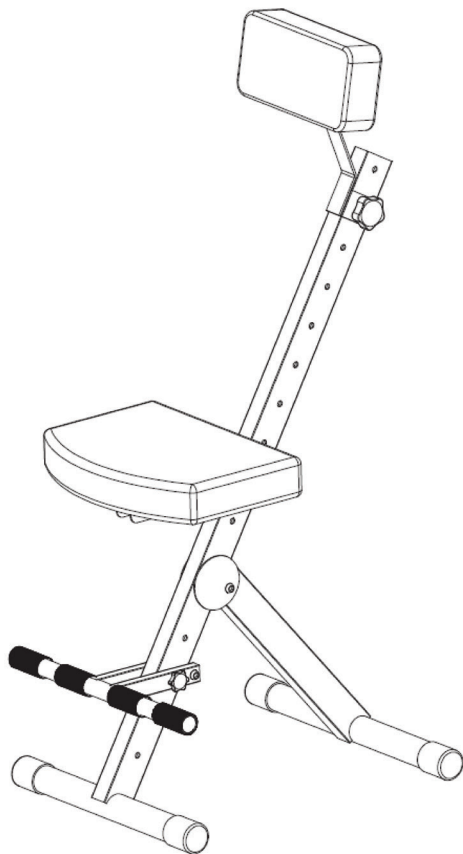
## **MUSICIAN & PERFORMER CHAIR**

---

PKST70

## Thanks for choosing this Musician & Performer Chair

Please follow guides of the bolts/screws on the diagram below.



### MUSICIAN & PERFORMER CHAIR FEATURES AND SPECIFICATIONS

#### Features:

- Padded Seat & Backrest Cushion for Comfort
- Provides Back and Foot Rest Support
- Foldable Design for Portability and Storage
- Durable Construction with the Professional in Mind
- Height Adjustable Foot Rest, Seat, & Backrest
- Perfect for On Stage and In-Studio Use
- For Beginner and Professional Applications
- Used by Musicians, Instrument Players, Performers, Sound Engineers, Drummers, Pianists, Guitarists, etc.
- Assembly Instructions Included

#### Dimensions:

- Unit Size: 16.5" x 24" x 43.3" inches
- Seat Cushion: 16.4" x 12.3" x 2.4" inches
- Seat Adjustable Height: 22.8" inches
- Back Support Cushion: 12.7" x 5.5" x 2.4" inches
- Back Support Adjustable Height: 38.2" inches
- Foot Rest Width: 14.2" inches
- Foot Rest Adjustable Height: 8.8" inches
- Leg to Leg (Width x Depth): 16.5" x 24.0"
- Sold as: 1
- Weight: 21.45 lbs.

**PYLE**

**PYLE**

PyleUSA.com