

nutrichef  
by **PYLE**



# *PKWNARDS38*

Automatic Wine Dispenser  
Portable Wine Aerator Pump

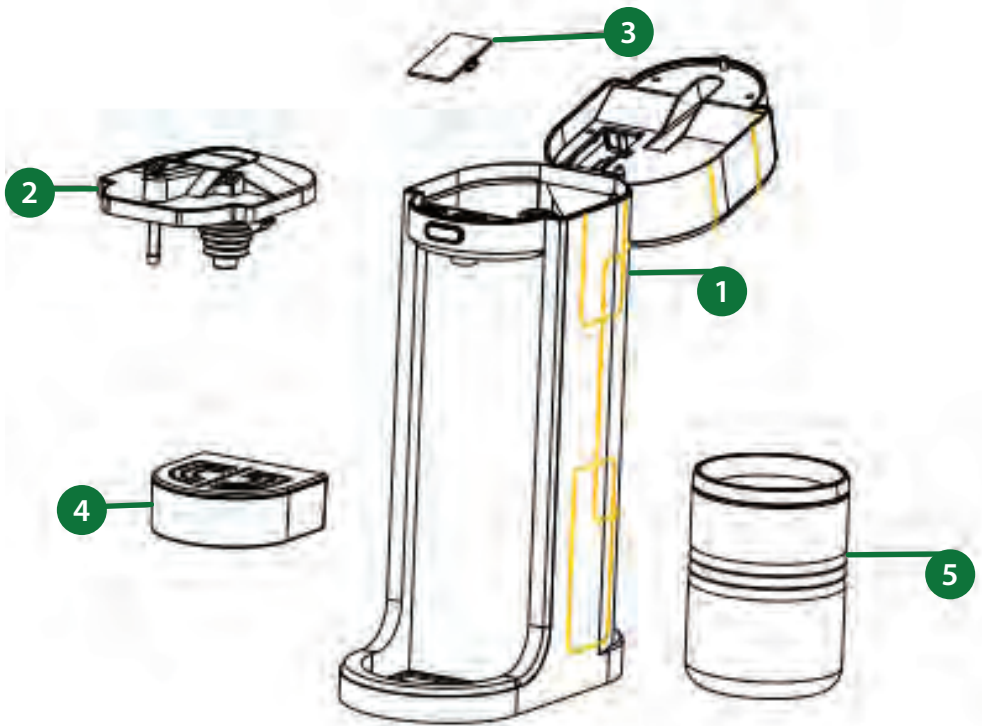
## GENERAL INSTRUCTIONS

**Please take the time to read these instructions carefully before you begin using your machine. Keep these instructions for future reference.**

Misuse of this appliance can damage the unit or injure the user. Assure the appliance is used for which it is designed; we refuse any responsibility for damages caused by incorrect use or bad manipulation.

1. This appliance is designed for domestic use only!  
Industrial or commercial use will void the warranty.
2. Do not use appliance for other than intended use.
3. The supplier cannot be held responsible for injury or damage if the appliance has been used for anything other than its intended use.
4. Do not use the device if it fails and if there are visible signs of damage
5. The use of accessory attachments not recommended by the appliance manufacturer may cause injuries.
6. Do not immerse the appliance in water or put it into dish washer
7. Use damp cloth to clean the appliance
8. Always place your appliance on a horizontal, stable and dry surface
9. Do not place your appliance on a hot surface and do not expose it to moisture, or splashing water
10. After use, store your appliance in a cool, dry place and out of reach of children
11. This appliance can be used by children aged from 8 years and above and persons with reduced physical, sensory or mental capabilities or lack of experience and knowledge if they have been given supervision or instruction concerning use of the appliance in a safe way and understand the hazards involved.
12. Children shall not play with the appliance
13. Cleaning and user maintenance shall not be made by children unless they are older than 8 and supervised.

## BREAKDOWN



1. Main Body
2. Wine Tube and Seal System
3. Battery Cap
4. Wine Glass Holder
5. Cooling Cup

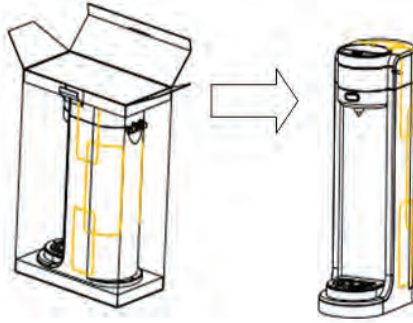
### DESCRIPTION:

**Function:** Wine is one of the few commodities that can improve in flavour and value with age, but with this magic instant wine decanter, you'll have the wine ready the second you pour it into glass.

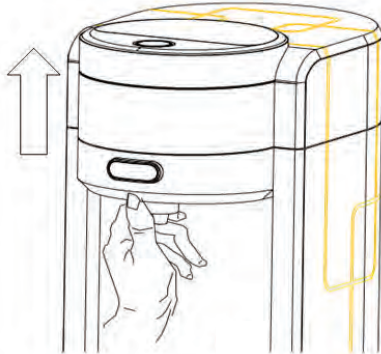
**Working Principle:** With multiple air ventilation holes on the wine outlet tube, when pumping the wine out, it creates great pressure, which draws air into the tube holes, thus help the wine get mixed with oxygen

## HOW TO OPERATE:

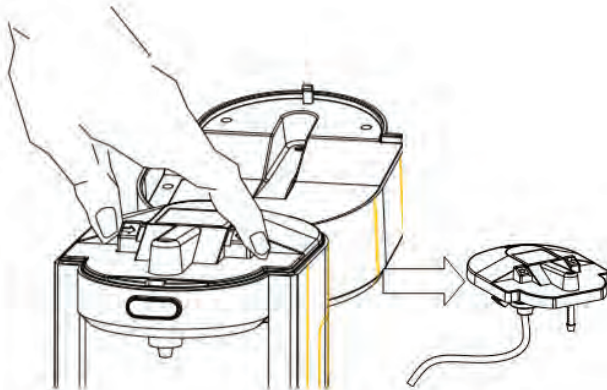
1. Check if the package is undamaged, open the package and take out the product.



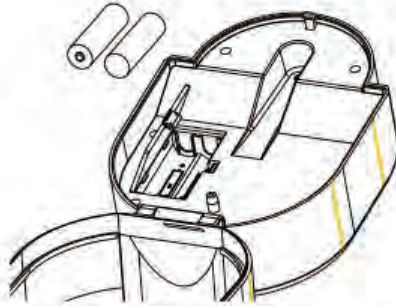
2. Press the button on the front with one hand, and lift up the top cover.



3. Detach the sealing system



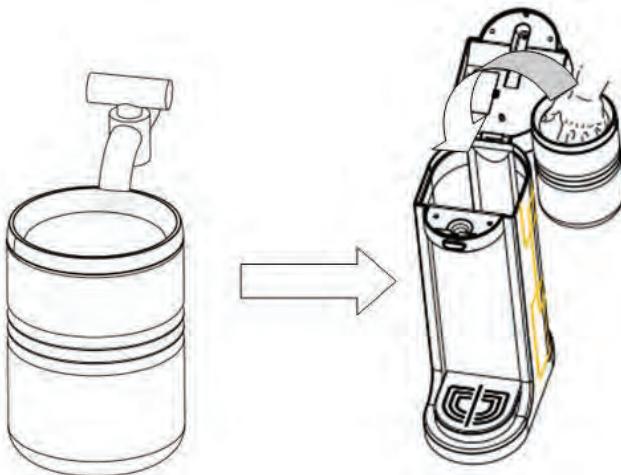
4. Open the battery cap, load 2pcs AA batteries



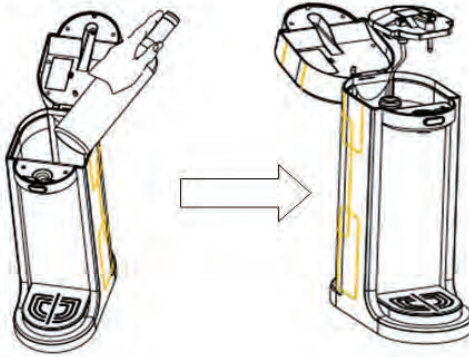
5. take out the cooling cup, put it into freezer for 2 hours



6. Fill the cooling cup with 1/4 water then put the cooling cup into the device



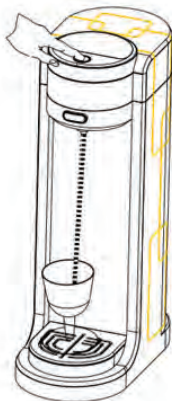
7. Put the wine into the cooling cup and put back sealing system



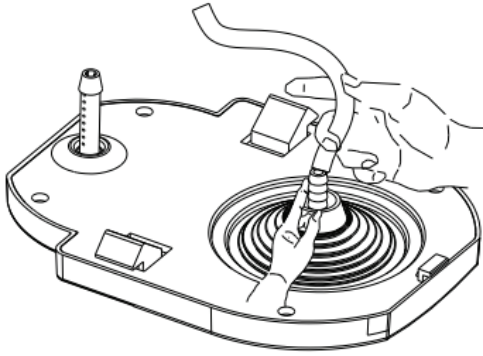
8. Close the top cap then put a wine glass on the holder.



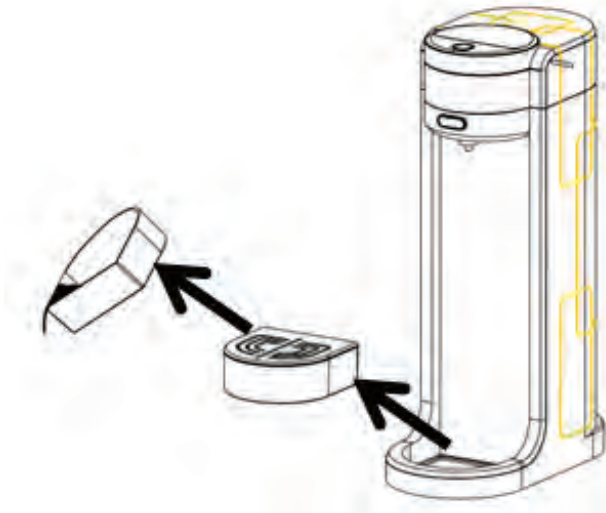
9. Long press the switch for 3 seconds, the wine aerator will automatically work 15 seconds to pour about 120ml wine, press again if you'd like to stop it while dispensing, see picture



10. When not in use, refill the empty wine bottle and repeat step 9 to clean the wine tube.
11. When not in use for a long time, the exposed wine hose tube might get dirty. You need to replace the tube



12. If the wine was spilled to the glass holder, detach the holder and pour out the wine



***You may clean the main device with a damp cloth and clean the wine tube with water or simply replace it***

## **CAUTION:**

1. Before pouring the wine, please check if the top cap is perfectly closed with the main body, if not, it might cause air leakage, which will result in smaller wine flow or even unable to pour wine out.
2. Be careful of cold injury when putting the cooling cup into the main device.
3. Remove the batteries when not in use.

## **BATTERY ADVICE AND RECYCLING**

1. Keep the battery out of reach from children
2. Do not mix old and new batteries, with different compositions or of different brands in order to prevent possible leakage, explosion etc.
3. Do not heat or deform the batteries or expose to fire.
4. Do not dispose waste batteries together with household waste
5. Please check with your local authority for battery recycling advice.



## FEATURES:

- Easy Wine Flow: Press the Button & Release the Grapes!
- Hassle-Free Wine Dispenser
- Automatic Electric Pump Operation
- Experience More Flavorful & Aromatic Wines
- Instantly Pours & Aerates
- Compact & Portable Design
- Works with All of Your Favorite Wines!  
Chardonnay, Riesling, Sauvignon, Pinot Noir, etc.
- Battery-Operated Wireless Design for Portability
- Safe for Any Countertop or Table Placement

## TECHNICAL SPECS:

- Works with Wine Bottles Up to: 750ml (25.62 oz) / 12.6" -inches Tall
- Construction Material: Engineered ABS
- Battery Operated: Requires (2) x 'AA' Batteries, Not Included
- Assembled Height (L x W x H): 9.96" x 5.16" x 15.79" – inches
- Sold as: 1

# nutrichef

by **PYLE**



**VISIT US ONLINE:**

*Have a question?*

*Need service or repair?*

*Want to leave a comment?*

[PyleUSA.com/ContactUs](http://PyleUSA.com/ContactUs)

**PYLE**