

PLBNPS18 - PLBNPS11 - PLBNPS12

Subwoofer Box System

Rear Vented Design
with Built-in Illuminating LED Lights

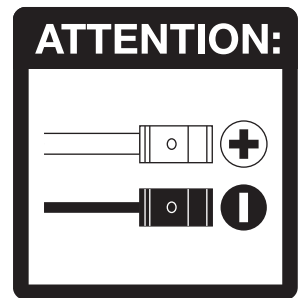
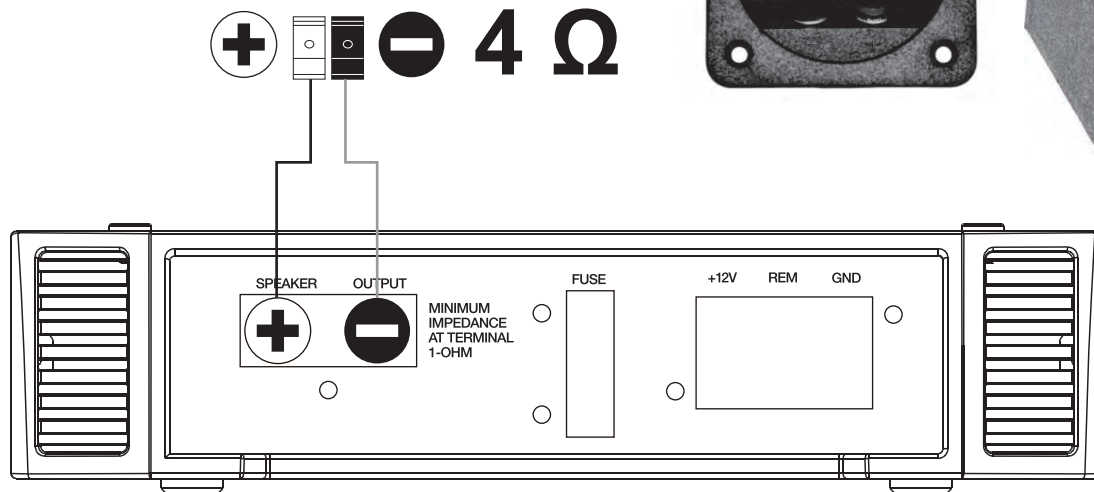
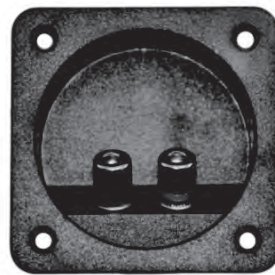
PYLE
PyleUSA.com

USER GUIDE

WIRING CONNECTION

Power amplifier for schematic diagram.

Connect the power amplifier to the positive and negative terminals accordingly as shown.



REMOTE CONTROL FEATURES

1. Turn ON/Standby: Press this key to turn on LEDs or switch to standby mode.

2/9. Dynamic Mode button: Switch from dynamic mode to color mode or switch between dynamic modes.

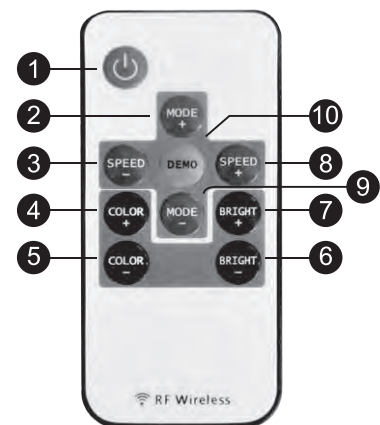
3/8. Dynamic Mode Speed button: Use these buttons to adjust dynamic mode speed. If the unit is in static mode, pressing these buttons will switch unit to dynamic mode.

4/5. Static Color Adjust button: Use this button to switch between static colors. Pressing these keys while in dynamic mode will switch the unit to static mode.

6/7. Brightness Adjust button: Pressing these buttons will adjust brightness while in static mode. If these buttons are pressed while unit is in dynamic mode, it will switch to static mode.

10. Demo Mode button: This button will switch the unit into demo mode.

While in demo mode, unit will loop through 9 of the dynamic modes with each repeating 3 times.



PLBNPS18

8" Single Series Vented Subwoofer Enclosure

Rear Vented Design with Built-in Illuminating LED Lights

Technical Specs:

- Construction Materials: 15mm Particle Board + Multilayer Board
- Power Rating: 400 Watts Max Power
- Voice Coil: 1.5"
- Impedance: 4 Ohms
- Magnet: 30 Oz
- Sensitivity: 89 dB
- Frequency Response: 45-800 Hz
- Remote Control Battery Operated, Requires (1) x 'CR2025' Batteries
- Battery Type: 3V Lithium Battery
- Battery Life: Up to 2+ Hours
- Product Dimensions (L x W x H): 17.3" x 11.8" x 11.0" -inches

PLBNPS11

10" Single Series Vented Subwoofer Enclosure

Rear Vented Design with Built-in Illuminating LED Lights

Technical Specs:

- Construction Materials: 15mm Particle Board + Multilayer Board
- Power Rating: 500 Watts Max Power
- Voice Coil: 2.0"
- Impedance: 4 Ohms
- Magnet: 40 Oz
- Sensitivity: 90 dB
- Frequency Response: 35-500 Hz
- Remote Control Battery Operated, Requires (1) x 'CR2025' Batteries
- Battery Type: 3V Lithium Battery
- Battery Life: Up to 2+ Hours
- Product Dimensions (L x W x H): 18.1" x 13.0" x 12.6" -inches

PLBNPS12

12" Single Series Vented Subwoofer Enclosure

Rear Vented Design with Built-in Illuminating LED Lights

Technical Specs:

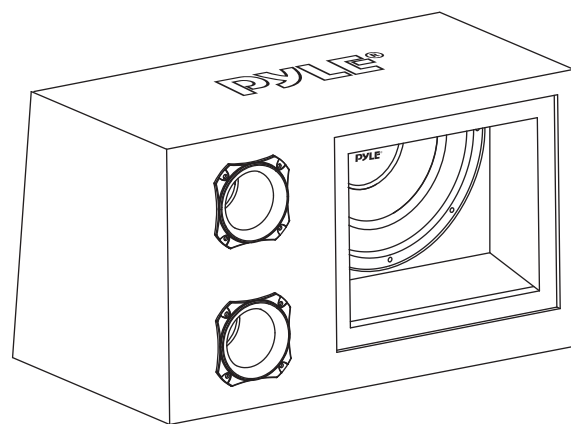
- Construction Materials: 15mm Particle Board + Multilayer Board
- Power Rating: 600 Watts Max Power
- Voice Coil: 2.0"
- Impedance: 4 Ohms
- Magnet: 50 Oz
- Sensitivity: 91 dB
- Frequency Response: 25-300 Hz
- Remote Control Battery Operated, Requires (1) x 'CR2025' Batteries
- Battery Type: 3V Lithium Battery
- Battery Life: Up to 2+ Hours
- Product Dimensions (L x W x H): 19.6" x 14.1" x 14.5" -inches

Features:

- Rear Vented Design
- High Powered Woofers with a Silver Paper Cone
- Rubber Edge Suspension
- Smooth Carpet Finish
- 4 Layer Dual Voice Coil
- Binding Post Connectors
- Perfect for Truck and Behind the Seat
- High-Quality Construction

What's in the Box:

- Subwoofer Box
- LED Remote Control



Questions? Issues?

We are here to help!

Phone: (1) 718-535-1800

Email: support@pyleusa.com

California Prop 65 Warning

⚠️ WARNING:

This product contains Nickel carbonate which is known to the state of California to cause cancer birth defects and other reproductive harm. Do not ingest.

For more info go to: www.P65warnings.ca.gov