

# PLBS82LE - PLBS102LE - PLBS122LE

## Dual Subwoofer Box System

Rear Vented Design  
with Built-in Illuminating LED Lights

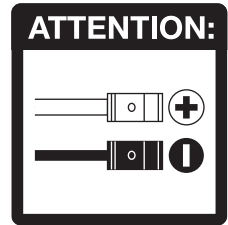
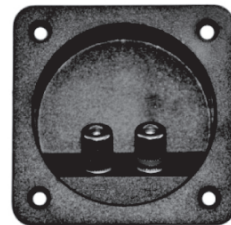
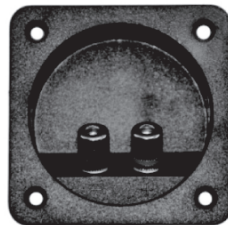
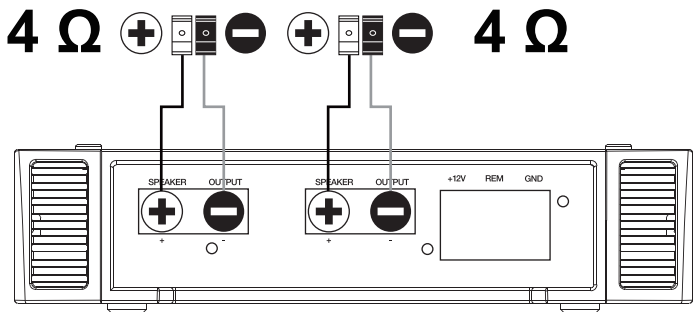
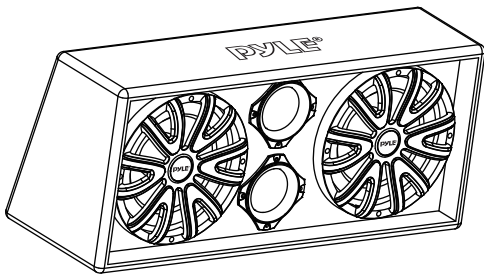
**PYLE**  
PyleUSA.com

### USER GUIDE

#### WIRING CONNECTION

Power amplifier for schematic diagram.

Connect the power amplifier to the positive and negative terminals accordingly as shown.



#### REMOTE CONTROL FEATURES

**1. Turn ON/Standby:** Press this key to turn on LEDs or switch to standby mode.

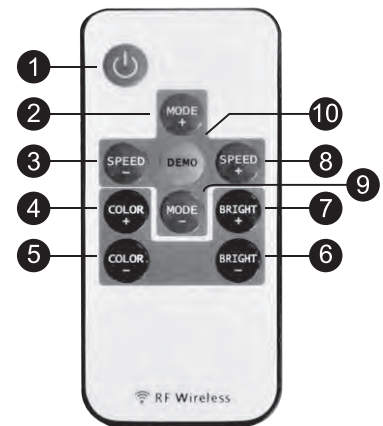
**2/9. Dynamic Mode button:** Switch from dynamic mode to color mode or switch between dynamic modes.

**3/8. Dynamic Mode Speed button:** Use these buttons to adjust dynamic mode speed. If the unit is in static mode, pressing these buttons will switch unit to dynamic mode.

**4/5. Static Color Adjust button:** Use this button to switch between static colors. Pressing these keys while in dynamic mode will switch the unit to static mode.

**6/7. Brightness Adjust button:** Pressing these buttons will adjust brightness while in static mode. If these buttons are pressed while unit is in dynamic mode, it will switch to static mode.

**10. Demo Mode button:** This button will switch the unit into demo mode. While in demo mode, unit will loop through 9 of the dynamic modes with each repeating 3 times.



## **PLBS82LE**

### **8" Dual Subwoofer Box System**

Rear Vented Design with Built-in Illuminating LED Lights

#### **Technical Specs:**

- Construction Materials: 15mm Particle Board + Multilayer Board
- Power Rating: 2x400 Watts Max Power
- Voice Coil: 1.5"
- Impedance: 4 Ohms
- Magnet: 2x30 Oz
- Sensitivity: 90 dB
- Frequency Response: 40-1K Hz
- Remote Control Battery Operated, Requires (1) x 'CR2025' Batteries
- Battery Type: 3V Lithium Battery
- Battery Life: Up to 2+ Hours
- Product Dimensions (L x W x H): 25.9" x 9.0" x 10.6" -inches

## **PLBS102LE**

### **10" Dual Subwoofer Box System**

Rear Vented Design with Built-in Illuminating LED Lights

#### **Technical Specs:**

- Construction Materials: 15mm Particle Board + Multilayer Board
- Power Rating: 2x500 Watts Max Power
- Voice Coil: 2.0"
- Impedance: 4 Ohms
- Magnet: 2x40 Oz
- Sensitivity: 90 dB
- Frequency Response: 35-600 Hz
- Remote Control Battery Operated, Requires (1) x 'CR2025' Batteries
- Battery Type: 3V Lithium Battery
- Battery Life: Up to 2+ Hours
- Product Dimensions (L x W x H): 30.7" x 11.8" x 13.0" -inches

## **PLBS122LE**

### **12" Dual Subwoofer Box System**

Rear Vented Design with Built-in Illuminating LED Lights

#### **Technical Specs:**

- Construction Materials: 15mm Particle Board + Multilayer Board
- Power Rating: 2x600 Watts Max Power
- Voice Coil: 2.0"
- Impedance: 4 Ohms
- Magnet: 2x50 Oz
- Sensitivity: 91 dB
- Frequency Response: 30-300 Hz
- Remote Control Battery Operated, Requires (1) x 'CR2025' Batteries
- Battery Type: 3V Lithium Battery
- Battery Life: Up to 2+ Hours
- Product Dimensions (L x W x H): 33.8" x 12.6" x 14.9" -inches

#### **Features:**

- Built-in Illuminating LED Lights
- Rear Vented Design
- High Powered 8-inch Woofers with a Silver Paper Cone
- Rubber Edge Suspension
- Smooth Carpet Finish
- 4 Layer Dual Voice Coil
- Binding Post Connectors
- Perfect for Truck and Behind the Seat
- High-Quality Construction

#### **What's in the Box:**

- Subwoofer Box
- LED Remote Control



#### **Questions? Issues?**

We are here to help!

Phone: (1) 718-535-1800

Email: [support@pyleusa.com](mailto:support@pyleusa.com)

#### **California Prop 65 Warning**

##### **⚠️ WARNING:**

This product contains Nickel carbonate which is known to the state of California to cause cancer birth defects and other reproductive harm. Do not ingest.

For more info go to: [www.P65warnings.ca.gov](http://www.P65warnings.ca.gov)