

**PYLE**

PyleUSA.com



**PLCM2720**

Rear View Backup Camera

USER MANUAL

*Please read instructions carefully before installation and use.  
Installation should be performed by a professional installer.*

## **SPECIFICATIONS**

Rear View Backup Camera, Parking Reverse Cam, Front/Rear Mount

### **Features:**

Universal Mount Vehicle Backup Camera  
Waterproof & Weather-Resistant  
Marine Grade Camera Construction  
Built-in Distance Scale Lines  
Color Picture Output  
Mount Options: Front or Rear Installation Support  
Compact, Slim Bar Camera Style  
Tilt Adjustable Camera Lens Angle  
Rugged & Durable Metal Housing  
Includes Installation Cables/Wires  
Auto White Balance & Image Adjustment

### **What's in the Box:**

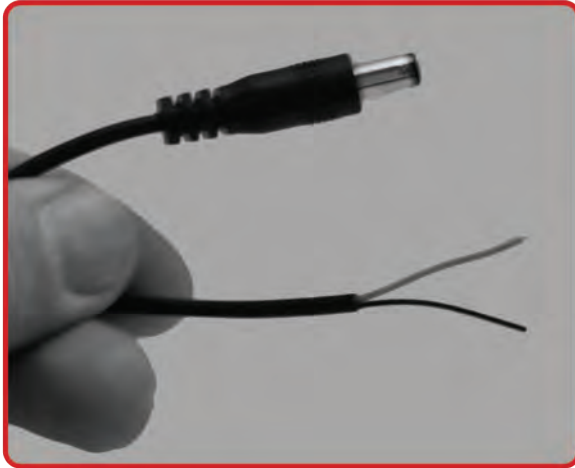
Backup Camera  
DC Power Cable  
RCA Video Cable, 17' ft.

### **Technical Specs:**

Marine Grade Rating: IP-67  
Low Lux Light Performance (0.2 LUX)  
Video Output: 1.0V PP-75 Ohm  
Resolution: 656 x 492 Pixels, 420 TV Lines  
Viewing Angle: 170 Degree  
Power Supply: DC 12V, 200mA  
Dimension (L x W x H): 1.1" x 0.9" x 0.8"  
Weight: 0.5 lbs.

## 1. WIRE CONNECTION

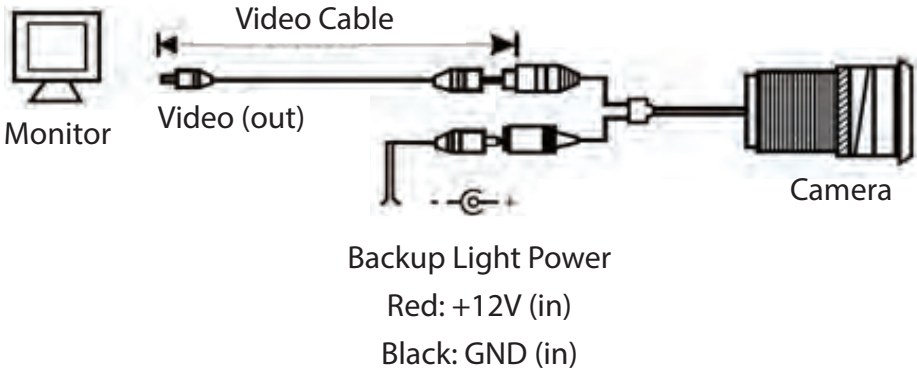
Please hard wire the red positive wire connected to the round 1 mm DC plug (pictured below) to your reverse tail light positive 12V connection and the black wire to the closest available ground. You will probably need a small length of wire to reach from your reverse tail light to the DC plug.



2. Please Attach the camera to your license plate bracket as shown above. You can then run your wires so that they are out of the way. There is one 2 jack on the camera unit cable, the yellow RCA jack is for the video output, and red is for 12V DC power supply, and also there is 2 button, the red button is to control the camera front view or back view picture image, and black button is control the scale line on or off.



3. Please plug the round 1 mm DC plug that you just wired to your reverse tail light into the red (A) power connection (image on page 2)
4. Use the included 5m video cable to connect the yellow video wire (B) to your video monitor.



**Attention:**

The camera switch is controlled by the reverse gear shift. When you put your car in reverse, the camera will receive its 12 V power from the reverse tail light.



**VISIT US ONLINE:**  
*Have a question?*  
*Need service or repair?*  
*Want to leave a comment?*

[PyleUSA.com/ContactUs](http://PyleUSA.com/ContactUs)

**PYLE**