

PYLE
PyleUSA.com



PLCM4590WIR

2.4Ghz Rearview Mirror Monitor & Backup Camera System

Wireless Video Transmission
4.3" -inch Display Screen

USER MANUAL

Please read all of the installation instructions carefully before installing the product. Improper installation will void manufacturer's warranty. The installation instructions do not apply to all types of vehicles, and are written as guidelines to assist in installing the system. Please consult an experienced technician if you are not comfortable installing the product. Prior to using and installing the Backup Camera System, please read the safety information provided in this user manual. Be sure to use the product as outlined in this user manual. Altercation or modifications carried out without appropriate authorization may invalidate the user's right to operate the equipment.

WARNING: Failure to read and follow these warnings and instructions may result in serious injury, including damaged property, so please pay close attention and exhibit the utmost care.

- The Digital Backup Camera is designed as an aid to the driver in detecting potentially hazardous driving conditions, obstructions, and large stationary objects. You, the driver, must also remember to drive safely and properly. Use of the Backup Camera is not a substitute for safe, proper and legal driving practices.
- Never back up while looking only at the screen. You should always check behind and around the vehicle when backing up just as you would if the vehicle did not have the Backup Camera. Always make sure your driving area is clear. Always back up slowly and with caution.
- Never depend on the Backup Camera entirely when backing up. The image on the screen is different from actual and real time conditions. Objects viewed in the rear view monitor differ from actual distances because a wide angle lens is used. So use the camera as an aid and always follow intended driving practices to properly judge distances from objects.
- The Backup Camera's assisted low lux lighting performance feature is also an aid to a driver. Always use your own eyes to confirm the vehicle's

surroundings, as the displayed image may be not well lit or not entirely visible. Always proceed with caution and perform double checks before proceeding.

- The area displayed by the Backup Camera is limited. It does not display objects that are close to or just below the bumper, underneath the vehicle, or objects out of the camera's view. The camera's view can change according to your vehicle's orientation on the road or changing road conditions.
- Be sure to check the camera is properly functioning, is properly positioned and securely mounted.
- Make sure your trunk or hatch is closed before and secured.
- Proceed with caution when cleaning your vehicle around the camera. Avoid excess water exposure around the camera especially with spraying or a power washer.
- Please make sure to keep the camera clean and unobstructed from any debris
- Follow all traffic laws and motor vehicle regulations.
- Consult local laws and regulations for any restrictions on installation or use.
- Using a Backup Camera System is not adequate enough to completely eliminate a vehicle's blind spot. Always remember to drive with caution, following all traffic laws.

System Installation and Wiring

Camera System installation on various vehicles may require a slightly different wiring install. These installation instructions do not apply to all types of vehicles. They are meant only as a general guide due to the large number of vehicle makes and models. Consult your local motor vehicle laws on the use of this product to be sure it is permitted.

Through installation of this backup camera system, you should be sure as to not degrade, damage or compromise the safety of any system or device on your vehicle. Improper installation and wiring of the vehicle back-up camera system may damage the vehicle's electrical system, including vital vehicle computer and operating systems. That could lead to an accident or fire, causing property damage and /or serious personal injury. It is highly recommended to seek professional installation advice from a qualified auto electrician or, in the alternative, to have the installation performed by a qualified auto electrician.

Precautions:

***Note:** Camera System installation on diesel vehicles may require a slightly different wiring setup -- or may not be compatible with the vehicle power system, at all.

Caution: This unit is designed to operate on a **12V/24V DC NEGATIVE GROUND** electrical systems. Connecting to other types of electrical systems will cause damage to your vehicle. Please contact the manufacturer if you are unaware of the system type in your vehicle.

Please ensure that your monitor assembly is secured and mounted where it would NOT obstruct any OEM vehicle safety features. In an event of an accident, the manufacturer is not responsible for bodily injury caused by the monitor being a projectile. This rearview mirror assembly system is to be mounted over your vehicle's existing rearview mirror. Ensure monitor location will not obstruct your vision while driving. The system has a clamp-locking mechanism which easily clamps over your vehicle's rearview mirror. The manufacturer assumes no liability for damage caused to your vehicle due to improper installation or use.

Quick Installation:

1. The included 2.4Ghz wireless modules come in two parts, one is the "**Transmitter**", the other is the "**Receiver**".
 - When installing the transmitter accessory cable -- it should connect to the camera -- allowing the camera to transmit video.
 - When installing the receiver accessory cable -- it should connect to the monitor -- allowing the screen to display video.
 - **Important Note*** When installing, be sure to properly identify the Transmitter / Receiver.
2. The accessory Transmitter/Receiver cables feature power wiring connections (some units feature 'loose' power cable wires with the ability to be 'hard-wired' to your vehicle -- see the *Optional Hard-Wired Installation description later in the user manual) -- otherwise, the vehicle camera and monitor system features a direct plug-and-play connection for system installation. Ensure proper power cable connection to allow successful camera system video transmission/reception.

Video Connection (Video Transmitter / Video Receiver):

The yellow video connectors are used to transmit / receive the video signals. Ensure proper video cable connection to allow successful camera system video transmission/reception.

*Optional Hard-Wired Installation (Not available for all systems):

Camera (Transmitter):

If you decide to create a hard-wired system connection to your vehicle, connect the transmitter's red wire of the DC 12V power cable, to the positive 12V reverse tail light in the rear of your car. Then connect the black wire of the DC 12V power cable and ground properly. The transmitter should then be connected to the camera, and will supply power to the camera directly.

Monitor (Receiver):

If you decide to create a hard-wired system connection to your vehicle, connect the receiver's red wire of the DC 12V power cable, to the positive 12V reverse tail light in the rear of your car. Then connect the black wire of the DC 12V power cable and ground properly. The transmitter should then be connected to the camera, and will supply power to the camera directly.

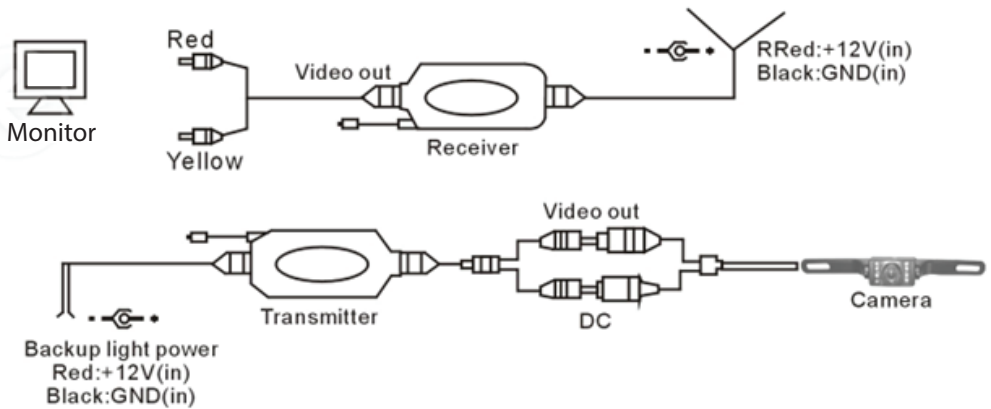
Installation Transcript:

Camera (Transmitter) Connection:

- a. Connect the transmitter's RED power wire to your vehicle's reverse light positive wire connection.
- b. Connect the transmitter's BLACK power wire to your vehicle's reverse light negative wire connection.
- c. Connect the transmitter's power and video connectors to the camera.
- d. Ensure the wires are safely and securely connected, with proper isolation applied to all connections. Determine the best location to mount the Wireless Transmitter Cable, as it is not waterproof and needs a safe and secure location.

Monitor (Receiver) Connection:

- a. Connect the receiver's RED power wire to your vehicle's reverse light positive wire connection.
- b. Connect the receiver's BLACK power wire to your vehicle's reverse light negative wire connection.
- c. Connect the receiver's video connector and power connector (if necessary) to the monitor.
- d. Ensure the wires are safely and securely connected, with proper isolation applied to all connections. Determine the best location to mount the Wireless Receiver Cable, as it is not waterproof and needs a safe and secure location.



Important Notes:

- Determine the best location for the camera (Keep in mind that you must run the cable from the camera to the transmitter). You may need to drill a small hole in the panel near your license plate (The camera is preferably mounted just above the license plate).
- Be sure when running the connection cables to leave a small amount of slack so you can still move the camera around the license plate, if you decide to slightly adjust the camera's positioning at a later time.
- Connect the wire from the Camera into the Wireless transmitter.
- You can now test the camera, activate your car and turn the key into the accessory position. Your connected monitor will automatically power on if properly connected to a power source. Placing your vehicle in reverse should provide a picture.

PLCM4590WIR

2.4Ghz Rearview Mirror Monitor & Backup Camera System with Wireless Video Transmission, 4.3" -inch Display Screen

System Features:

- Wireless Backup Camera & Monitor Parking Assist System
- Includes Camera, Monitor and All Necessary Cables & Wiring
- 2.4Ghz Wireless Video Transmission
- Reverse Camera Priority Signal Sense
- Instantly Sends Camera Video to LCD Display
- Automatic Turn-On Activation when Video Signal Received
- Wireless Video Transmission Distance: Up to 165' ft.
- Universal Car & Automobile Mounting Ability

What's in the Box:

- Mirror Monitor Assembly
- Backup Camera
- Transmitter/Receiver Connection Cables

Monitor Display:

- 4.3" -inch LCD Screen
- Designed to Replace Existing Vehicle Mirror Assembly
- Connects to 2.4Ghz Wireless Video Receiver
- Additional Video Monitor Connection Ability
- Video Resolution 480 x 272 Pixels
- Video System: NTSC/PAL
- Brightness: 350 cd/m²
- Contrast: 350:1
- Dimensions (W x H x D): 10.6" x 3.5" x 1.8" –inches

Backup Camera:

- Connects to 2.4Ghz Wireless Video Transmitter
- Marine Grade Construction
- Waterproof & Fog Resistant, IP67 Rating
- Night Vision Low Lighting Capable
- Low Lux Performance 0.2 LUX
- Built-in Distance Scale Line Display
- Preferably Mounting Above the Rear License Plate
- Tilt Adjustable Camera Angle
- 480 TVL Horizontal Resolution
- True Color Reproduction
- Total Pixels: 628 x 586
- Wide Viewing Angle: 170 Degree
- Auto White Balance
- Power Supply: DC 12V
- Dimensions (W x H x D): 0.90" x 0.90" x 0.90" - inches
- Sold as: 1

PYLE

PyleUSA.com



VISIT US ONLINE:

Have a question?

Need service or repair?

Want to leave a comment?

PyleUSA.com/ContactUs

PYLE