

**PYLE**<sup>®</sup>  
PyleAudio.com



# ***PLCMH5***

**Wireless Rearview Backup Trailer / Hitch Camera,  
Waterproof Night Vision Vehicle Cam & Monitor System**

## **Introduction**

Thank you for purchasing the wireless camera and monitor hitch kit. The camera features an image sensor and a transmitting module to capture the image and transmit picture wirelessly. The receiver features a receiving module to receive and display the camera image on a color LCD - liquid crystal display. System works at 2.4GHz frequency band, which could be legally used worldwide without permission. Refer to the troubleshooting guide at the end of this manual for help. Contact a professional technician or our technical support staff for additional support. Please retain proof of purchase receipt for warranty verification. Any attempted disassembly of the product will void the warranty and may cause damage or personal injury. Do not return defective products, or products no longer under warranty.

## **Note**

This product may cause interferences with other wireless equipment that operates at the 2.4GHz wireless band. Please turn off, or do not operate the product, near a similar frequency using wireless device to eliminate the interference possibility. The wireless system will emit an electromagnetic wave, just like other wireless products. The transmitting strength is less than other wireless products. The 2.4GHz wireless camera meets wireless frequency security standards and recommended indexes. Make sure NOT to use this product to violate an individual's privacy, also do not use near medical equipment.

**PYLE**<sup>®</sup>  
PyleAudio.com

## Important

1. Do not shake or strike the product;
2. Keep it dry and dustless and avoid exposing it to direct sunlight;
3. Avoid putting the product in places where the constantly changed temperature or humidity occurs;
4. Keep product away from heat sources such as electric heater;
5. Do not use the camera near caustic chemicals;
6. Do not use this camera near water, for example, near a bath tub, wash bowl, kitchen sink or laundry tub, in a wet basement or near a swimming pool and the like;
7. Do not use the camera in the places which are enclosed by metal. The surrounding metal like lifter, cabin, may shield the electromagnetic wave, and result in failure of signal reception;
8. Please obey the local government's environment protection policy;
9. Please turn off the power when left unused;
10. Do not disassemble or repair the camera or receiver; doing so might cause damages to the product, and also VOID THE WARRANTY.

## Package Contents

The unit comes with all pieces necessary for typical setup & installation.

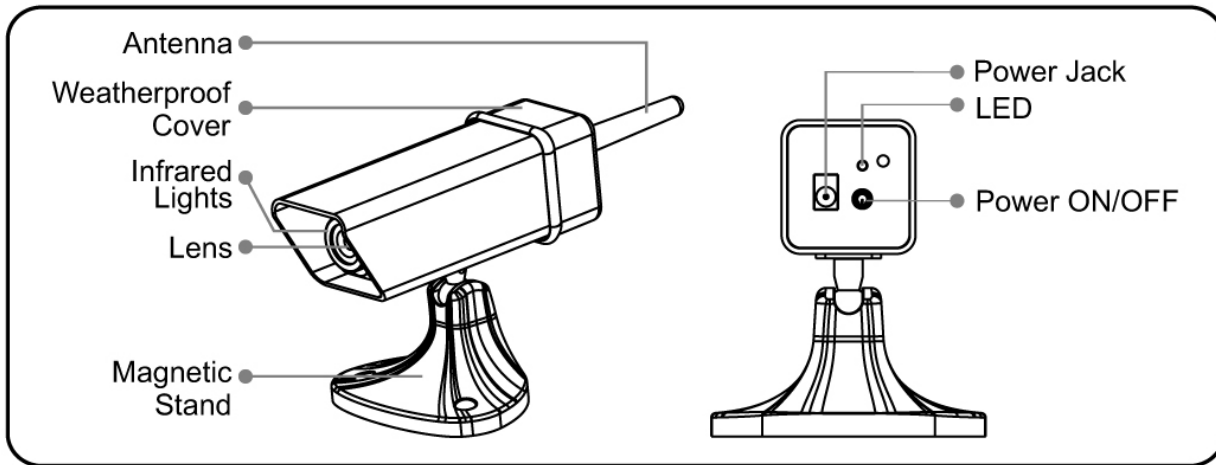
## Using the System

1. Before using, make sure the camera is fully charged. Press the Power ON/OFF button to power on your camera.
2. Mount the Magnetic Camera on your tailgate, then adjust it to a suitable angle.
3. Then view the camera on your LCD display. Ensure your display is charged or connected via power cable.



**Package Contents:** 2.4Ghz wireless camera, weatherproof camera cover, wireless receiver, rechargeable battery, charging cable, wall power adapter, connection cables

## Camera



## Camera Indicator Lights

CAMERA LED INDICATOR	STATUS
Red	Charging when Powered off
Off	Power off (disconnect with cigarette lighter)/Finish Charging
Green	Power on
Yellow	Charging when Power on

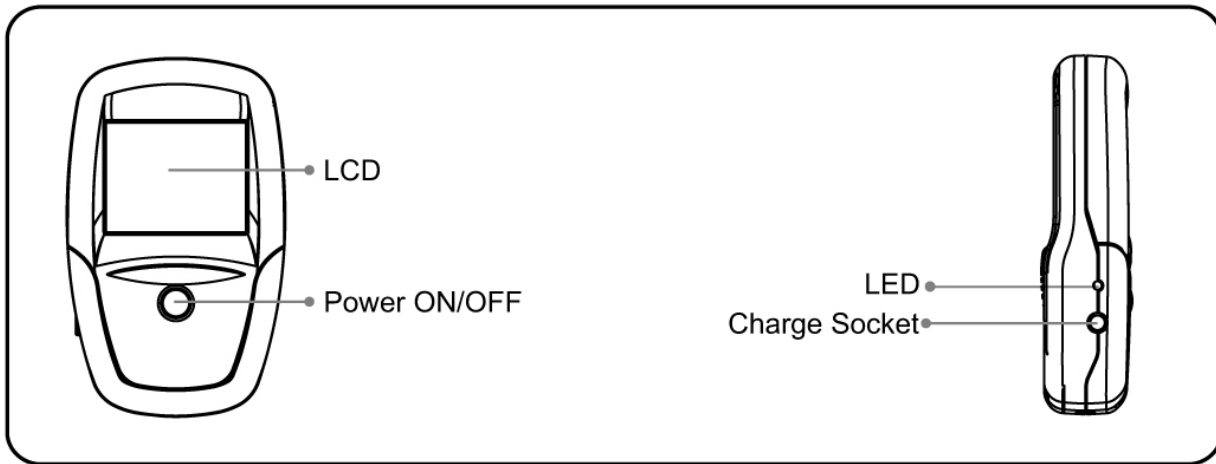
## Charging the Camera and Receiver

1. Load a Li-battery to the battery compartment with its polarities matched.
2. Connect the camera/receiver with auto cigarette lighter by the "Y" shaped charging cable. Your camera and receiver are being charged. A full charge will take about 2.5 hours for camera and for receiver respectively.
3. The camera can work during charging. Press the Power ON/OFF button to power on (or turn off) the camera, then you can use it.
4. The receiver can also work during charging. Press and hold the Power ON/OFF button for about three seconds to turn on/off the receiver. When the receiver is powered on, LCD displays reverse the image by default. Pressing POWER ON/OFF button momentarily can switch between reverse and non reverse image.

## Charging Notes & Battery

A full charge will take about 2.5 hours, which can power the receiver for about 4 hours continuously. You are recommended to have the battery fully charged before its first installation to optimize its life. Do not burn or disassemble the Li-battery. Do not short-circuit the battery as it may cause fire or electric shock.

## Display



## Display LED Indicators

RECEIVER LED INDICATOR	STATUS
Red	Charging when Powered off
Off	Power off (disconnect with cigarette lighter)/Finish Charging
Green	Power on, working at reverse image
Yellow	Charging when Power on, working at reverse image
Green Flashing	Working at non reverse image
Yellow Flashing	Charging and working at non reverse image

## Troubleshooting

Problem	Reason / Solution
No image	Check whether the camera/receiver is connected to power supply and powered on.
Snowflakes on image	Check the distance & connection cables.
Ghost image	1. Interfered with other devices; 2. Check the distance & blocks.

# PYLE®

PyleAudio.com