



# PLDVRCAM25 User Manual

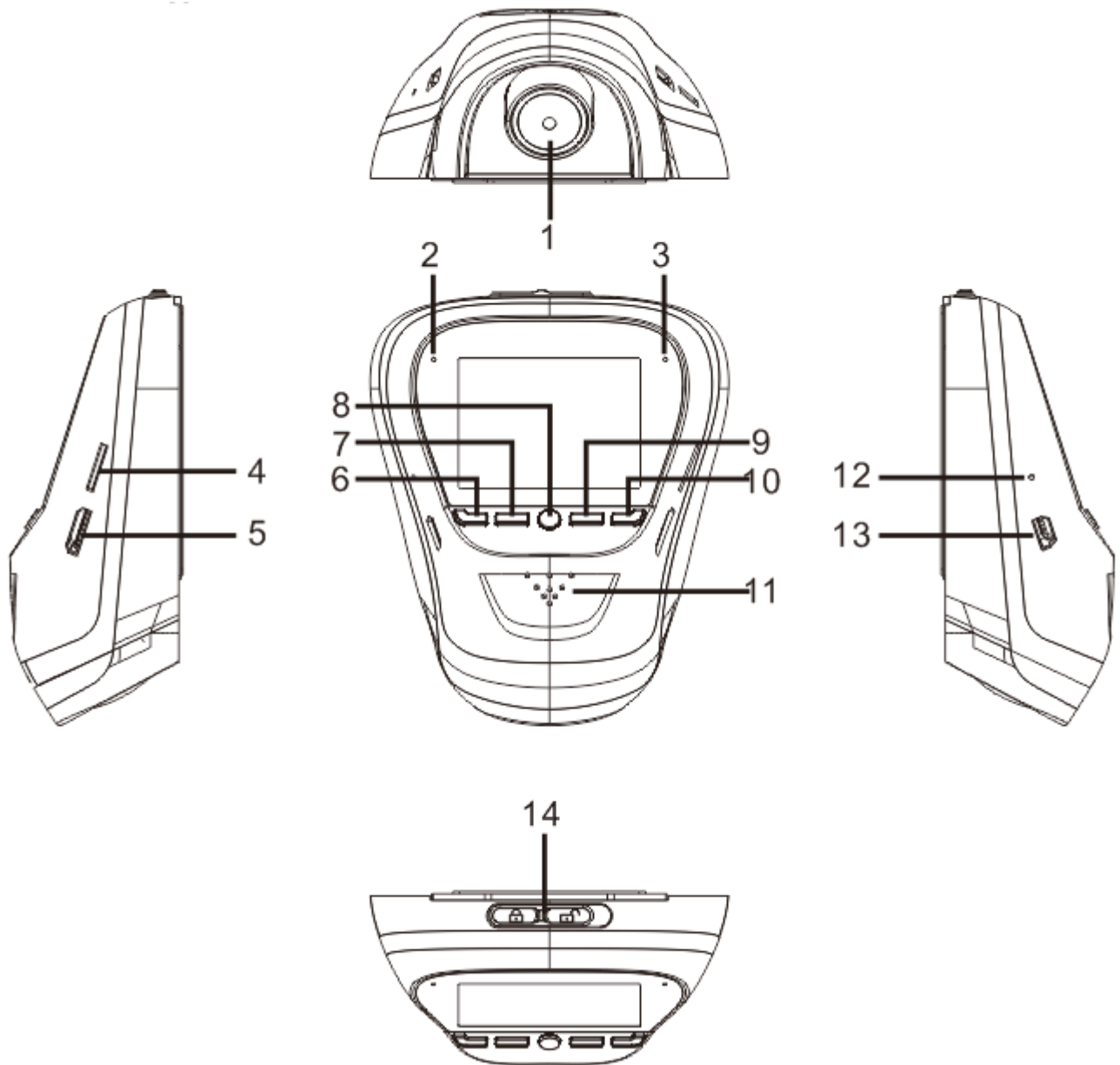
Before using the product, please read this User Manual carefully.

This manual is to guide your usage of this product. Please keep this Manual for future reference.

## **Caution:**

1. Please strictly abide by the relevant national law; this product may not be used for illegal purposes whatsoever. Doing so may result in legal actions being taken against you.
2. Please insert the card according to the directions in the manual to avoid damage to the card or DVR.
3. We suggest that you move/delete the files on the card once per week. This product does not act as the exclusive storage for this device, so please back up the important files to computer or other storage devices immediately to avoid losing any files.
4. Please check the bracket carefully after installation to avoid damaging the product due to bad installation.
5. The working time of the battery will get shorter the longer that you use it. If the DVR has not been used for a long time, please charge it beforehand.
6. Please do not use this product in a moist environment. This product is not waterproof.
7. Please do not use this product in a dusty environment. If you do, the lens and/or other components may be contaminated and can affect the quality of the camera. Please keep the lens clean by using a microfiber cloth and wiping gently.
8. Treat this product with care. Do not use this product in a high magnetic or electronic field environment. This product may become damaged from impact.

## Structure



- |                          |               |                  |
|--------------------------|---------------|------------------|
| 1. Lens                  | 6. Up Key     | 11. Bracket Lock |
| 2. Power Indicator Light | 7. Mode Key   | 12. Reset Hole   |
| 3. Work Indicator Light  | 8. ON/OFF Key | 13. USB Port     |
| 4. SD Card Slot          | 9. Menu Key   | 14. Lock         |
| 5. HDMI Port             | 10. Down Key  |                  |

## Features

1. Supports multiple types of video resolution, such as: 1080P, 720P, etc. with superior video and image quality.
2. Built-in Microphone/Speaker
3. Voice/Mute shortcut key.
4. LCD off shortcut key.
5. Supports high capacity Micro SD card.
6. Supports seamless loop video and records while charging.

7. Automatically take video when the car engine turns on. Automatically turns off when the car engine is no longer being used (after a short delay).
8. Supports motion detection.
9. Supports SOS and G-SENSOR to prevent important files from being overwritten.
10. Built-in wide dynamic HD lens; 170 degree wide angle with superior day and night effects.
11. HDMI Port.
12. External TPMS alarming function.
13. Parking monitoring function.

## **Functions**

### **1. On/Off**

#### **A) Power on**

In the off state, press the ON/OFF key. The DVR enters the video mode and will start recording automatically (green light will be flashing). If the DVR is connected to the car charger, press the on button to enter the video mode and start recording automatically. When you unplug the charger, the DVR will automatically save the current file and shut down after a delay.

Note: If the LCD screen displays 'Please insert card', then the Micro SD card is not inserted. If the Micro SD card is inserted while the DVR is powered on, the DVR will automatically power off.

#### **B) Power off**

When the DVR is on, press and hold the ON/OFF key to power off the DVR. In a low battery state, the DVR will display "Low Battery" and will automatically save the current file and shut down.

### **2. Battery Charging**

While charging, the red indicator light will be lit and will automatically turn off when it is fully charged.

### **3. Video**

Press the ON/OFF key to power on the DVR. The green indicator light will flash to display that it is in video mode. Press the ON/OFF key to stop recording and save the current file; the DVR will then go into standby mode (the green LED will be steadily lit to represent this). In standby mode, press the ON/OFF key to restart the recording. Press this again to stop recording.

In the video mode, press the MODE key to turn the sound on/off.

### **4. Photo**

In standby mode, press the MODE key to enter into photo mode. Press the ON/OFF key to take photos (this will be prompted with a sound).

### **5. Playback and Delete**

In standby mode, press the MODE key twice in order to enter playback mode. Press the UP/DOWN key to select the file. The ON/OFF key is used for play and/or pause. If you want to delete files, press the MENU key to access the Delete menu. The UP/DOWN key is used to navigate in delete mode. Press the ON/OFF key to confirm the operation. Select 'delete current' or 'delete all' and press the ON/OFF key to delete. Press the MENU key to exit Delete mode and go back to playback mode.

## 6. **G-SENSOR**

In video mode, if the car brakes suddenly or is hit heavily, the G-sensor will activate to prevent the current video clip from being overwritten. There are three grades settings (high, medium, low) to cater to different car owners. This file cannot be overwritten while loop recording.

## 7. **SOS**

In video mode, press the MENU key to save the file manually. This file cannot be overwritten while loop recording.

## 8. **Digital Zoom**

In video/photo mode, press the UP key to zoom in on an image. Press the DOWN key to zoom out of an image.

## 9. **HDMI**

Use your HDMI cable to connect to an HD television. Put the camera in standby mode to take photos or to view the video.

## 10. **Tire Pressure Alarm**

Connect a tire pressure detection module to the camera's USB port and turn on the camera. The LCD screen will prompt you with the tire pressure interface when the camera detects something wrong with your tires. It will inform you if the tire pressure is too high or too low, the tire temperature is too hot or cold, or if the transmitter has low power or no signal. This interface will display the information of each tire separately on the LCD screen. In standby mode, press and hold the MENU key to access the tire pressure interface. Press the MENU key to exit the tire pressure interface. The tire pressure interface will not work if the camera is not connected to the tire pressure detection module.

## 11. **Impact / Parking Monitor Mode**

Turn on the Park Monitor function in the menu settings. If it is turned on, there will be a P icon displayed on the LCD screen (it will no longer be there when this function is turned off).

The camera will automatically turn on and record for 10 seconds when it detects vibrations or impact (after the recording, it will shut off). To turn on the Park Monitor function, you can press and hold the MODE button.

## 12. **Charger**

This unit contains an AC Car Charger to charge and power your device while using your car.

## 13. **System Settings**

In standby mode, press the MENU key in order to enter system settings. Press the UP/DOWN key to select the setting item and press the ON/OFF key to enter into the sub-categories. Press the UP or DOWN key to select the specific parameters; then, press the ON/OFF to confirm the change. To exit system settings, press the MENU key.

## Setting Categories:

Mode	Category	Sub-category	Default	
	Menu setting	Video	Resolution	1080P HD 1920x1080 720P 1280x720 WVGA 848x480 VGA 640x480
Loop Recording			Off / 3 minutes / 5 minutes / 10 minutes	Factory default: 3 minutes
HDR			On/off	Factory default: On
Exposure			+2.0、+5/3、+4/3、+1.0、+2/3、+1/3、+0.0, -1/3,-2/3,-1.0,-4/3,-5/3,-2.0	Factory default:+0.0
Motion Detection			On/off	Factory default: Off
Voice Recording			On/off	Factory default: On
Date Stamp			On/off	Factory default: On
G-sensor			Off/high/medium/low	Factory default: Medium
Parking Monitor			On/off	Factory default: On
Photo		Capture Mode	Single/2s timer/5s timer/10s timer	Factory default: Single
		Resolution	12M/10M/8M/5M/3M/2M/1.3M/VGA	Factory default: 5M
		Sequence	On/off	Factory default: Off
		Quality	Fine/Normal/Economy	Factory default: Normal
		Sharpness	Strong/ Normal/Soft	Factory default: Normal
	White balance	Auto/daylight/cloudy/tungsten/fluorescent	Factory default: Auto	
	color	Color/Black & White/Sepia	Factory default: Color	
	ISO	AUTO/100/200/400	Factory default: Auto	
	Exposure	+0.0 , -1/3 , -2/3 , -1.0 , -4/3 , -5/3 , -2.0 , +2.0,+5/3 , +4/3 , +1.0 , +2/3 , +1/3	Factory default: +0.0	
	Anti-shaking	On/off	Factory default: Off	
Playback	Quick Review	Off/2Seconds/5Seconds	Factory default: Off	
	Date Stamp	Off, date, date/time	Factory default: Date/time	
	Delete	Delete current/ Delete all		
System Setting	Protect	Lock Current/Unlock Current/Lock All/Unlock All		
	Slide Preview	2 seconds/5 seconds/8 seconds		
	Date/Time	MM/DD/YY,DD/MM/YY,YY/MM/DD		
	Auto power off	Off/3 minutes/5minutes/10minutes	Factory default: Off	
	Beep Sound	On/off	Factory default: On	
	Language	English/Français/Español/Português/Deutsch/Italiano/ 中文简体/中文繁體/Русский/日本語		

	Frequency	50Hz/60Hz	
	Format	Micro SD card	
	LCD OFF	Off/30 seconds/1 minute/3 minutes	Factory default: 1minute
	Delay Shutdown	Off/5 seconds/10 seconds/30seconds	Factory default: 30seconds
	Default Setting	Cancel/OK	
	Version		The current version number

## Tire pressure Setting

Tire pressure setting	Pressure unit	Bar/kpa/PSI	This setting menu will be displayed when the camera is connected to the tire pressure module.
	Temperature unit	F°	
	High temperature alarm	Off/70°/75°/80°	
	Low pressure alarm	Off/1.8bar/1.9bar/2.0bar/ 2.1bar/2.2bar/2.3bar/2.4bar	
	High pressure alarm	Off/2.6bar /2.7bar/2.8bar/2.9bar/ 3.0bar/3.1bar/3.2bar	
	Tire pressure configuration	Configure left front/Configure right front/Configure left back/Configure right back	This can only be used if a professional has installed this function

Pressing the MODE key while inputting your license plate number (license interface) will allow you to switch between letters and numbers. Press the UP/DOWN key to select 0-9 or A-Z. The OK key is used to confirm; press the MENU key to save and exit the license setting interface.

## Connecting to the Computer

Video and Photo Download:

1. When the USB cable is connected to your computer, the DVR's red indicator light will be lit (steady). A screen will pop up that display "Mass Storage and PC Camera".
2. After you click Mass Storage, the DVR screen will turn blue. This means that it is working and the Micro SD card disk can now be recognized by your computer.
3. Use your computer to browse and manage the files (download, copy, move, delete, etc.)
4. Press and hold the ON/OFF key to power it off and remove the USB cable from your computer.
5. Press the ON/OFF key to power off the DVR and begin charging. The red indicator light will be lit (steady).

**Note:** Improperly operating this DVR (unplugging from computer without turning it off, etc.) may cause the DVR/SD Card to crash. To troubleshoot your DVR if it has just crashed, use a small, hard object to press the reset key on the side of the DVR (Item 12 of the Schematic).

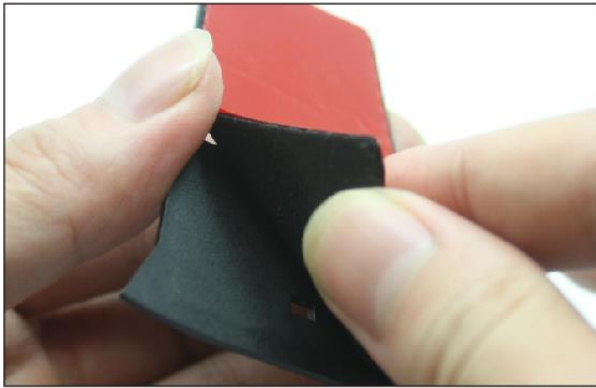
## Product Specification

LCD size	2.0inch TFT Screen
CMOS Sensor	3.0MP
Viewing Angle	170 degree ultra-wide viewing angle
Minimum Illumination	1LUX
Video Resolution	1920x1080P/1280x720P/848 x480P /640x480P
Video Format	MOV@H.264
Frames	30fps
Image Resolution	12M/10M/8M/5M/3M/2M/1.3M
Image Format	JPG
Motion Detection	Support
Loop Recording	Off/3 Minutes/5Minutes/10Minutes
G-SENSOR and SOS	Support
LCD Off	Support
Voice Recording	On/Off
Digital Zoom	4 times
Tire Pressure Alarming	Optional
Parking Monitor	Support
Memory Card	Micro SD card
Memory Card Capacity	Max support: 64GB
Output	USB2.0
Power Port	DC5V/1000MA
Power Frequency	50HZ/60HZ
Battery Capacity	300mAH
Microphone/Speaker	Support
Video Output	HDMI
Language	English/Français/Español/Português/Deutsch/Italiano/中文简体/中文繁體/Русский/日本語

Note: Specification parameters maybe modified due to an upgrade and/or update.



## Bracket Installation



**1. Remove one side of the 3M glue tape**



**2. Place it inside the slot on the back**



**3. Push the locking bar towards the left**



**4. Completed installation**

## In the Box

- A) AC Car Charger to power and charge your device.
- B) USB cable to connect your device to a computer
- C) User Manual
- D) 3M Glue tape