



Questions or Comments?
We are here to help!
Phone: 1.718.535.1800
PyleUSA.com/ContactUs



Mid Bass Woofer Sound Speaker System

USER GUIDE

**READ ALL INSTRUCTIONS CAREFULLY BEFORE USING THIS PRODUCT.
RETAIN THIS OWNER'S MANUAL FOR FUTURE REFERENCE.**

About Pyle GEARX Series Woofer

Congratulations!

You have just purchased one of the most advanced Subwoofers in the history of car audio. Pyle GEARX Series Woofer is the latest series, which has been designed and engineered for consistent and high performance. Let's enjoy the nice music that Blue Wave Woofer provides.

Features:

- Yellow Injection-Molded Cone
- Non-fatiguing Big Rubber Suspension
- Bumped & Vented Extended Pole Piece
- Silver Plated Terminal
- Flat Progressive Spider
- Plastic Magnet Boot



Pyle Blue Wave Series Woofer continually strives to improve the performance and value of its products. All specifications are subject to change.

⚠ WARNING: Cancer and Reproductive Harm - www.P65warnings.ca.gov

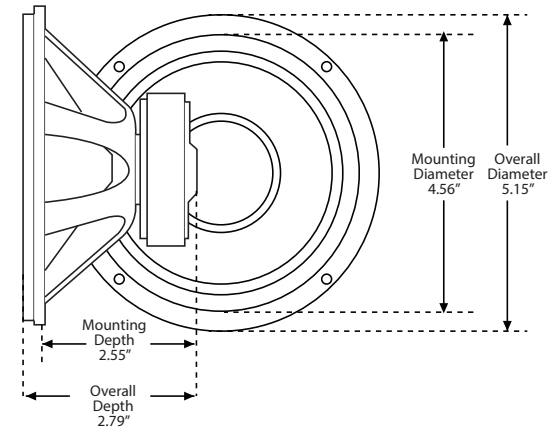
Register Product

Thank you for choosing PyleUSA. By registering your product, you ensure that you receive the full benefits of our exclusive warranty and personalized customer support. Complete the form to access expert support and to keep your PyleUSA purchase in perfect condition.

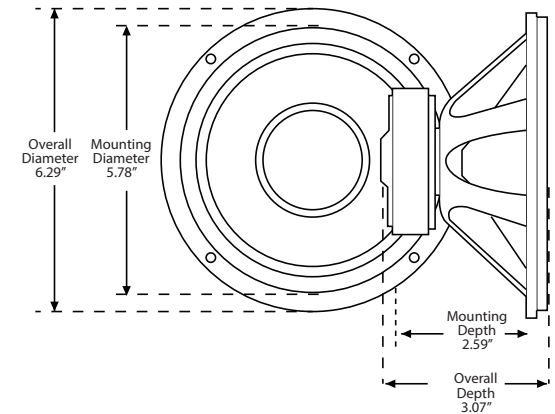


PyleUSA.com/register

PLG54

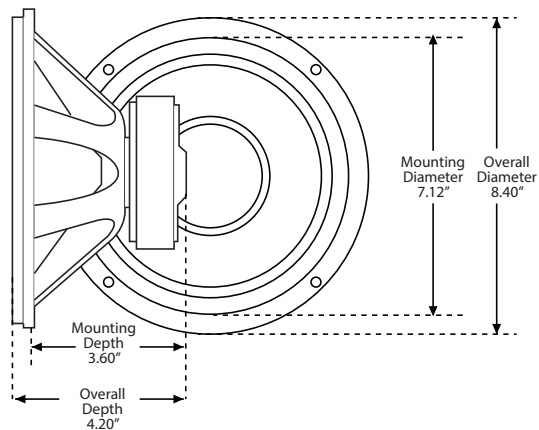


PLG64

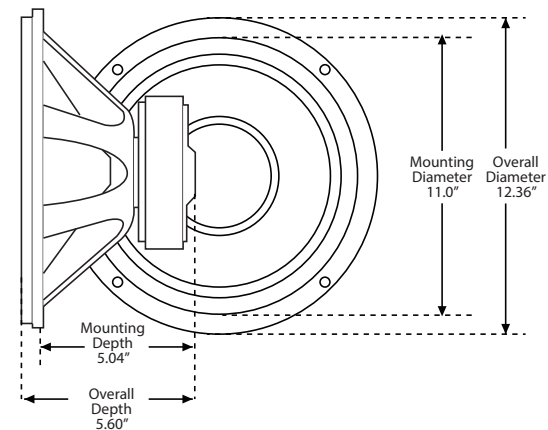


Specification	PLG54	PLG64
Power (Watts Peak)	200	300
Nom. Impedance (Ohm)	4	4
Voice Coil	1.0" KSV	1.0" KSV
Magnet Structure	30 OZ	30 OZ
Fs (Hz)	80	70
Qms	6.50	6.02
Qes	0.9	0.8
Qts	1.0	0.9
SPL (dB)	81	82
Vas (L)	2.0	2.20

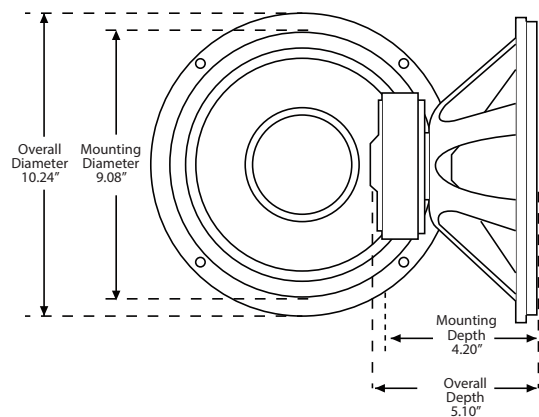
PLG84



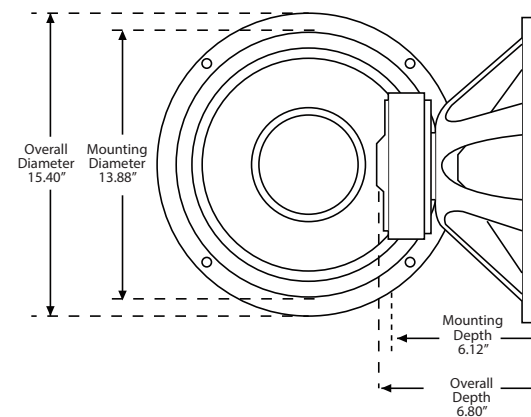
PLG124



PLG104



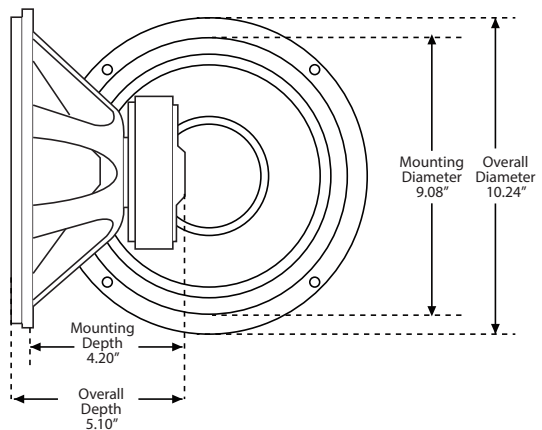
PLG154



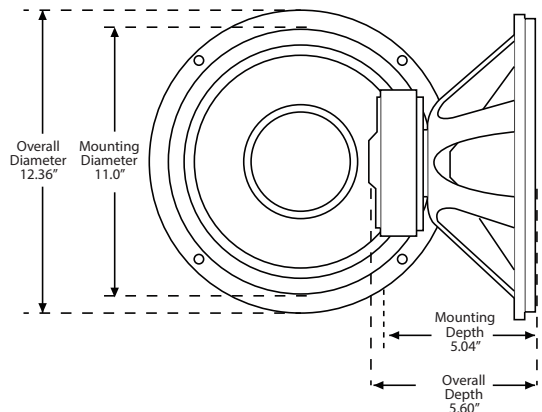
Specification	PLG84	PLG104
Power (Watts Peak)	400	600
Nom. Impedance (Ohm)	4	4
Voice Coil	1.5" KSV	2.0" KSV
Magnet Structure	50 OZ	60 OZ
Fs (Hz)	60	50
Qms	5.23	4.92
Qes	0.89	0.84
Qts	0.76	0.72
SPL (dB)	83.5	85
Vas (L)	2.50	4.908

Specification	PLG124	PLG154
Power (Watts Peak)	800	1000
Nom. Impedance (Ohm)	4	4
Voice Coil	2.0" KSV	2.5" KSV
Magnet Structure	60 OZ	80 OZ
Fs (Hz)	40	30
Qms	5.0	5.0
Qes	0.90	0.91
Qts	0.75	0.70
SPL (dB)	84	86
Vas (L)	5.204	5.100

PLG10D

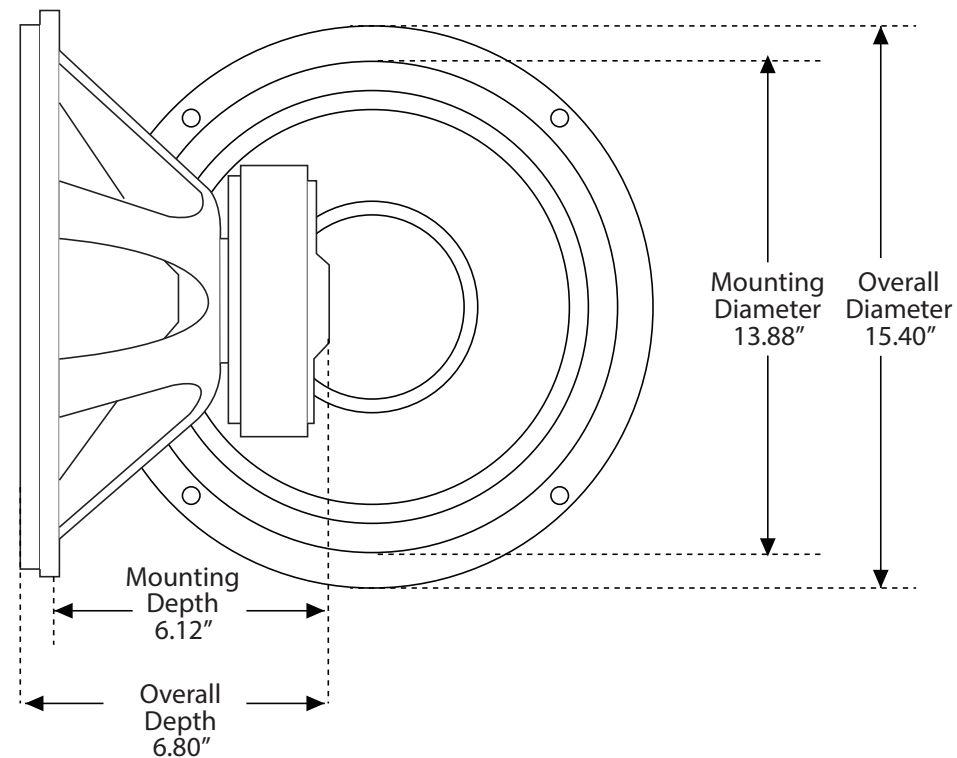


PLG12D



Specification	PLG10D	PLG12D
Power (Watts Peak)	600	800
Nom. Impedance (Ohm)	4x4	4x4
Voice Coil	2.0" KSV	2.0" KSV
Magnet Structure	60 OZ	60 OZ
Fs (Hz)	50	40
Qms	4.92	5.0
Qes	0.84	0.90
Qts	0.72	0.75
SPL (dB)	85	84
Vas (L)	4.908	5.204

PLG15D



Specification	PLG15D
Power (Watts Peak)	1000
Nom. Impedance (Ohm)	4X4
Voice Coil	2.5" KSV
Magnet Structure	80 OZ
Fs (Hz)	30
Qms	5.0
Qes	0.91
Qts	0.70
SPL (dB)	86
Vas (L)	5.10