

# PLMR60DK

# PYLE

PyleUSA.com

## 6.5" Waterproof Rated Marine Speakers

Dual 6.5" Waterproof Marine Speakers, Full Range Stereo Sound, Camo Style, 150 Watt (Pair)

### USER MANUAL

#### FEATURES:

- Includes (2) 6.5" Component Speakers
- Marine Grade Construction
- Waterproof Rated & Weather-Resistant Design
- Hunting Camouflage Pattern Style
- Full Range Stereo Sound Reproduction
- Dual Cone Speakers
- Polypropylene Cone, Cloth Surround
- Molded ABS Machined Basket and Grill
- For Marine, Automobile & Off-Road Vehicles
- Universal Standard OEM Replacement Size

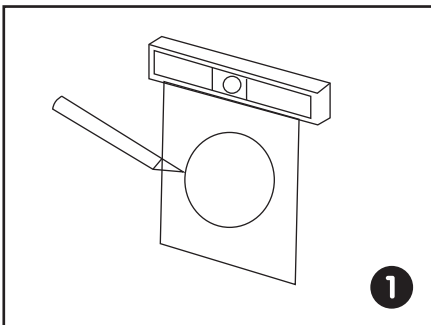
#### WHAT'S IN THE BOX:

- (2) 6.5" Marine Speakers
- (2) Speaker Wire, 9.8' ft.

#### TECHNICAL SPECS:

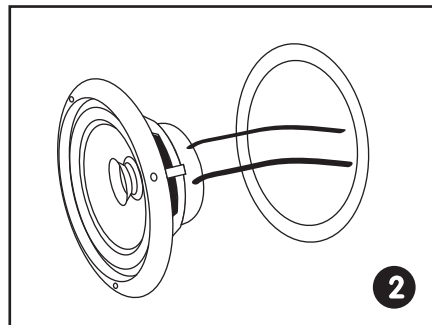
- MAX Power: 150 Watt (RMS Power: 75 Watt)
- Marine Grade Rating: IP-44
- Voice Coil: 1.0", Aluminum
- Impedance: 4 Ohm
- Frequency Response: 45Hz - 16kHz
- Magnet Structure: 20 oz.
- Housing Construction Material: Engineered ABS
- Speaker Total Diameter: 7.09" -inches
- Speaker Cut-Out Diameter: 5.2" -inches
- Speaker Mounting Depth: 2.48" -inches
- Single Speaker Weight: 1.54 lbs. -Each

### Installation Guide:

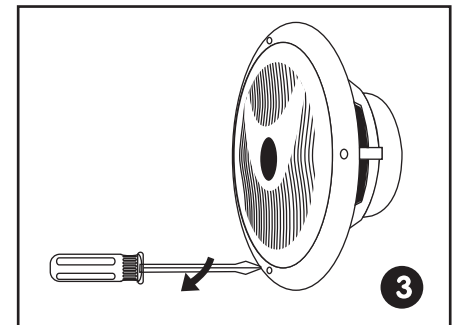


Cut the drywall.

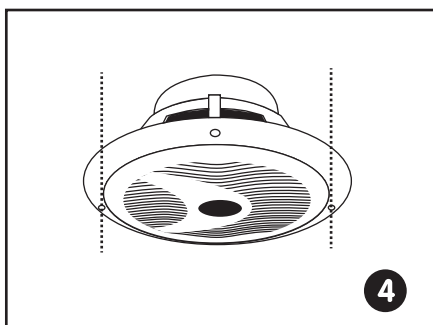
Note: Always allow at least one-half inch between a wall stud and the speaker cutout or the locking tabs will not be able to swivel into place.



Connect the speaker wires to the speaker.



Screw down each of the four Phillips head screws. The locking tabs will swivel into place and secure the unit to the rear surface of the drywall. Put in the strips of adhesive to secure the grille.



Replace the metal grille.



#### VISIT US ONLINE:

Have a question?  
Need service or repair?  
Want to leave a comment?

[PyleUSA.com/ContactUs](http://PyleUSA.com/ContactUs)

# PYLE