

Visit Our Website



**SCAN ME**  
PyleUSA.com

# 6-1/2" DUAL CONE WATERPROOF STEREO SPEAKER SYSTEM

**PYLE**  
PyleUSA.com

## USER GUIDE



PLMR60W



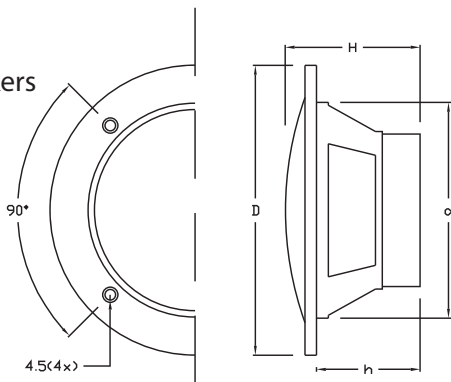
PLMR60B



PLMR60S

### Features:

- Includes (2) 6.5" Dual Cone Full Range Speakers
- Marine Grade Waterproof Construction
- Full Range Stereo Sound Reproduction
- Dual Cone Speakers
- Polypropylene Cone, Cloth Surround
- Molded ABS Machined Basket and Grill
- For Marine, Automobile & Off-Road Vehicles
- Universal Standard OEM Replacement Size
- Includes Speaker Wire & Mounting Hardware



### California Prop 65 Warning

**WARNING:**

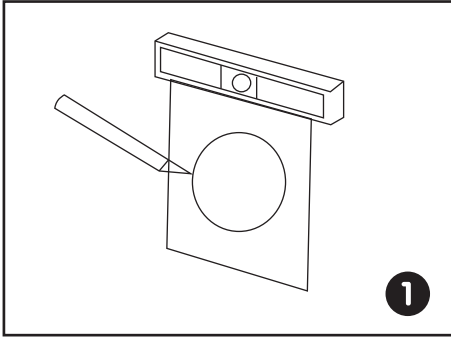
This product can expose you to chemicals, which is known to the state of California to cause cancer birth defects and other reproductive harm. Do not ingest.

For more info go to: [www.P65warnings.ca.gov](http://www.P65warnings.ca.gov)



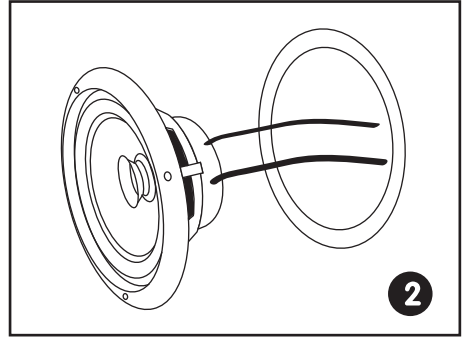
**Questions or Comments?**  
**We are here to help!**  
Phone: 1.718.535.1800  
[PyleUSA.com/ContactUs](http://PyleUSA.com/ContactUs)

## Installation

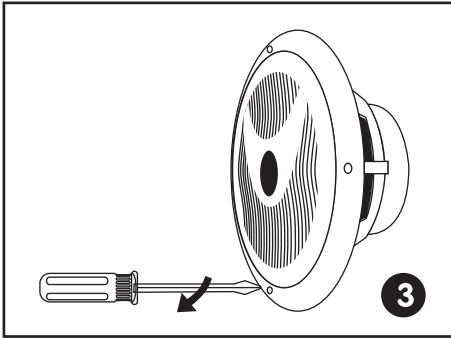


### Cut the drywall.

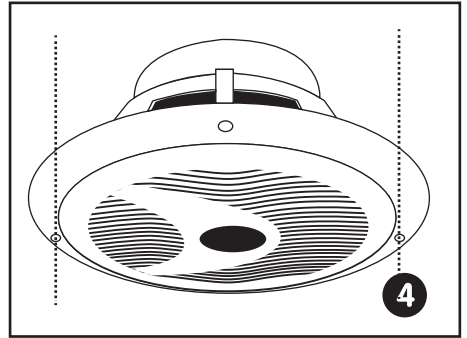
**Note:** Always allow at least one-half inch between a wall stud and the speaker cutout, or the locking tabs will not be able to swivel into place.



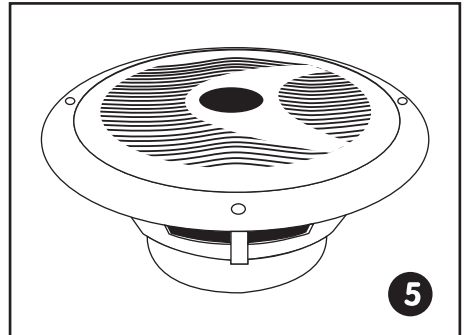
Connect the speaker wires to the speaker.



Screw down each of the four Phillips head screws. The locking tabs will swivel into place and secure the unit to the rear surface of the drywall. Put in the strips of adhesive to secure the grille.



Replace the metal grille.



Complete