

Visit Our Website



SCAN ME
PyleUSA.com

PLMR62

6-1/2" 2-Way Marine Speaker System

USER GUIDE

PYLE

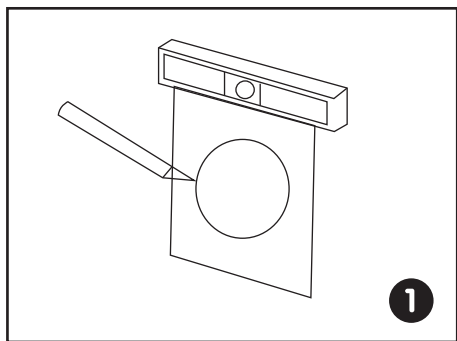
PyleUSA.com

Features:

- 6-112"High Quality Poly Carbon Cone
- 2-Way Water Resistant Construction Design
- 1"High Temperature Voice Coil
- 1/2"Neodymium Dome Tweeter
- 200 Watts Rated Peak Power
- Frequency Response: 85Hz-20K Hz
- 4 Ohm Impedance
- Sensitivity: 90dB

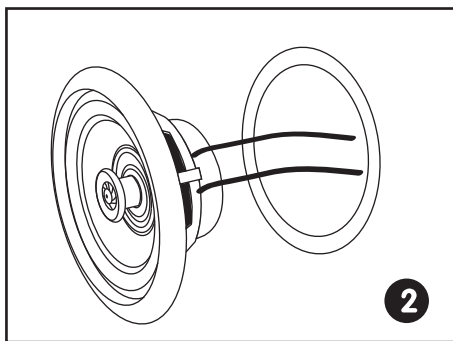


Installation



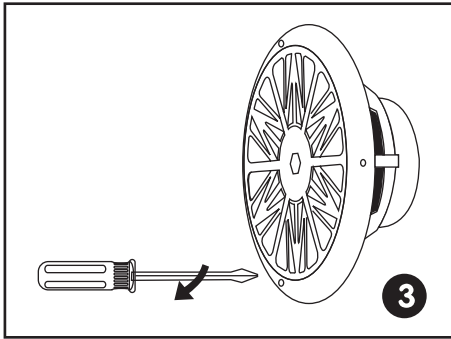
Cut the drywall.

Note: Always allow at least one-half inch between a wall stud and the speaker cutout, or the locking tabs will not be able to swivel into place.

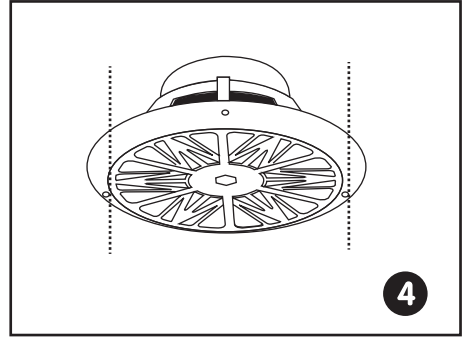


Connect the speaker wires to the speaker.

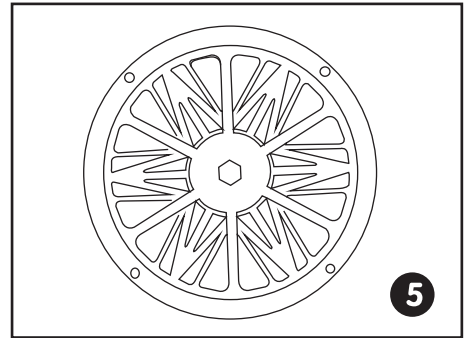
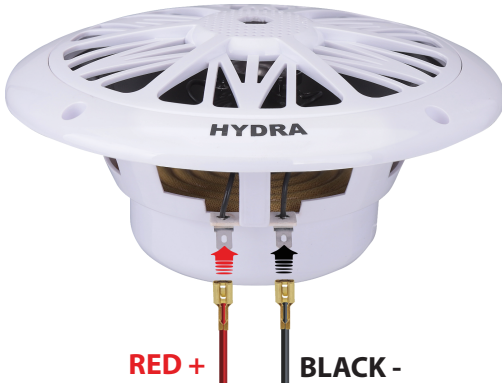
Installation



Screw down each of the four Phillips head screws. The locking tabs will swivel into place and secure the unit to the rear surface of the drywall. Put in the strips of adhesive to secure the grille.



Replace the metal grille.



Complete

- Speaker Total Diameter: 7.09"
- Speaker Cut-Out Diameter: 5.31"
- Speaker Mounting Depth: 2.48"

California Prop 65 Warning

WARNING:

This product can expose you to chemicals, which is known to the state of California to cause cancer birth defects and other reproductive harm. Do not ingest.

For more info go to: www.P65warnings.ca.gov



Questions or Comments?
We are here to help!
Phone: 1.718.535.1800
PyleUSA.com/ContactUs