

6.5" WATERPROOF AUDIO MARINE GRADE DUAL SPEAKERS

with Built-in Programmable Multi-Color LED Lights

Model: **PLMR6LEB**



Featured Color: *Black*

Model: **PLMR6LEW**



Featured Color: *White*



Features:

- Includes (2) Dual Cone Speakers
- Built-in Color-Changing LED Lights
- Programmable & Controllable Lighting
- Waterproof Construction Housing
- Full Range Sound Reproduction
- Polypropylene Cones with Cloth Surround
- Stain Resistant Grill
- Molded ABS Plastic Basket
- Includes Speaker Wiring & Mounting Hardware
- Used in Marine Vehicles or Automobiles
- Perfect for Custom Installations

Color-Changing LED Lights:

- Dancing / Flashing Light Modes
- 20 Static or 19 Dynamic Color Modes
- Speed & Color Brightness Adjustable
- 27 Built-in Multi-Color LED lights
- Includes Lighting Console Controller Unit

Size / Dimensions:

- Total Diameter: 7.1", Total Depth: 3.3"
- Cut-Out Diameter: 5.3"
- Mounting Depth: 2.5"

Technical Specs:

- Speaker Size: 6.5" -Each
- Power Handling: 150 Watts Peak
- Marine Grade IP-44 Rating
- 4 Ohms Impedance
- 8 oz. Circuit Magnet
- 1" Aluminum Voice Coil
- Sensitivity: 90dB
- Frequency Response: 45Hz - 16kHz
- LED Output: 4A/Per Channel
- Power: DC 12-24V
- Weight (Each Speaker): 1.5 lbs. -Each



For more detailed information visit us at:
PyleAudio.com

WIRING INSTRUCTIONS

with Built-in Programmable Multi-Color LED Lights

Instructions RGB LED SPEAKERS

Model: **PLMR6LEB**

Model: **PLMR6LEW**

- 19 Dynamic Modes
- 20 Static Colors
- 256-Grade PWM
- Speed Adjustable
- Brightness Adjustable
- Ultra Slim Design
- Demo Mode
- Auto Save Function
- DC12-24V Working Voltage
- 3-Way, Peak 4A Per Channel
- 5 Levels Brightness Grade
- 10 Levels Speed Grade

1. Dynamic Modes Adjust

Switch to dynamic mode from static color mode, or switch between dynamic modes.

2. Static Color Adjust

Switch to static color mode from dynamic mode, or switch between different static colors.

3. Dynamic Speed Adjust / Turn On/Standby

*Adjust dynamic playing speed. Press Speed+ to increase speed and press Speed- to decrease speed. Unit will switch to dynamic mode if press this key at static color mode.

*Press SPEED one second then turn on, then press other buttons come back to alive.

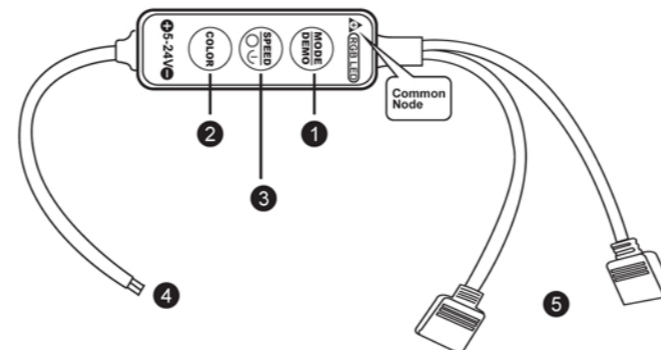
4. Power Supply

This unit accepts DC 12V to 24V power supply. The inner pole polarity is positive and sleeve is negative. Please select proper power supply according to the LED application.

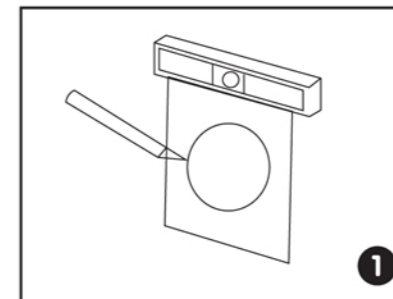
5. LED Output

This unit support common anode connection LED products. The mark ' Δ ' indicates the common connection node. The peak output current is 4A per channel, please reduce load if main unit is overheating.

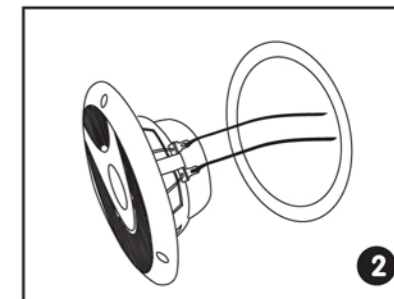
CAUTION! Do not short circuit the LED output, this may lead to permanent damage!



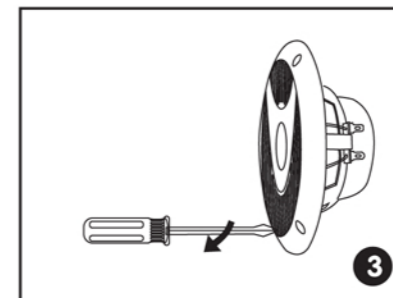
with Built-in Programmable Multi-Color LED Lights



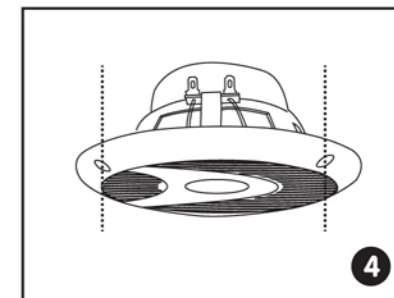
Cut the drywall.
Note: Always allow at least one-half inch between a wall stud and the speaker cutout or the locking tabs will not be able to swivel into place.



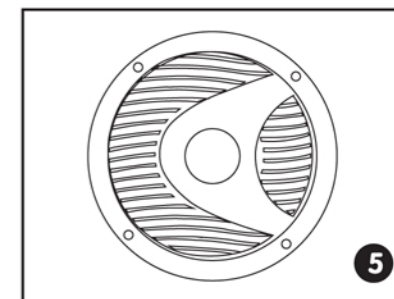
Connect the speaker wires to the speaker.



Screw down each of the four Phillips head screws. The locking tabs will swivel into place and secure the unit to the rear surface of the drywall. Put in the strips of adhesive to secure the grille.



Replace the metal grille.



Complete.