

# PYLE

PyleUSA.com



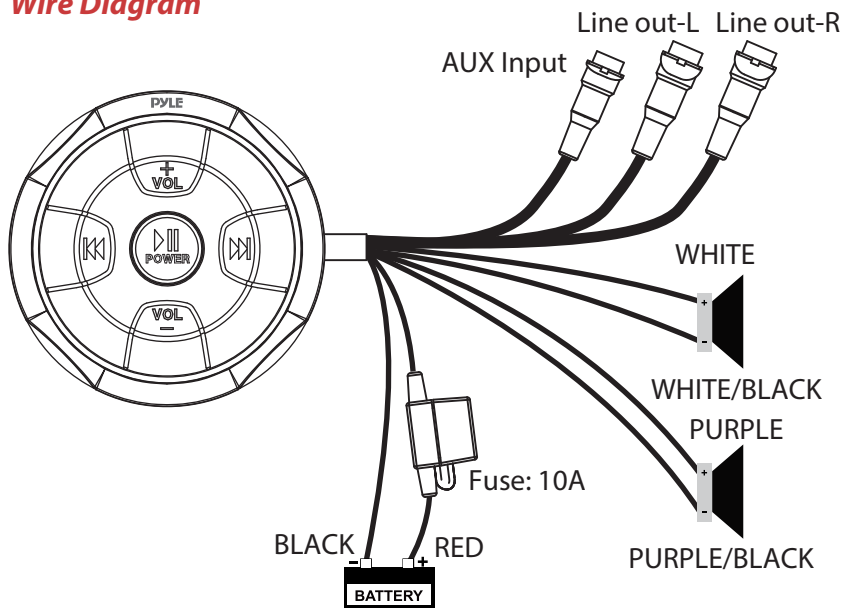
## ***PowerSports***

### *PLMRBT18*

Amplified Wireless BT Audio Controller  
Waterproof-Rated Marine Receiver  
Remote Control for Car, Truck, Boat, 4x4,  
PowerSport Vehicles (300 Watt)

**USER MANUAL**

## Wire Diagram



Wire Color	Description
Red	Battery (+), 12dc
Black	Battery (-), Ground
White	Output L (+)
White/Black	Output L (-)
Purple	Output R (+)
Purple/Black	Output R (-)

## BT Pairing and Connection

### Power:

1. Press and hold the power button to power ON/OFF.

### Wireless BT Streaming Connection:

- a. Ensure BT ability is activated, then search for the PLMRBT18 from your BT-enabled device. The light will turn blue and blinks while waiting for BT connection.
- b. The PLMRBT18 BT Network Name will appear as "PyleUSA" (No password is required for connecting).
- c. When the BT is connected, the light will turn blue and stops blinking.

## AUX-IN:

a. Double click power button to switch BT mode to Aux-in mode.

## Standby:

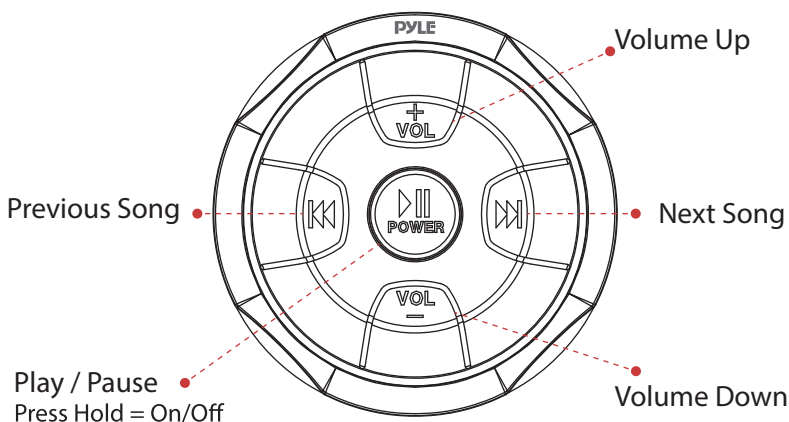
- a. Both BT and AUX-IN not connected, it will turn off automatically after 30mins.
- b. When BT is connected during this period, you need to process BT connection again.

## Auto Reconnection:

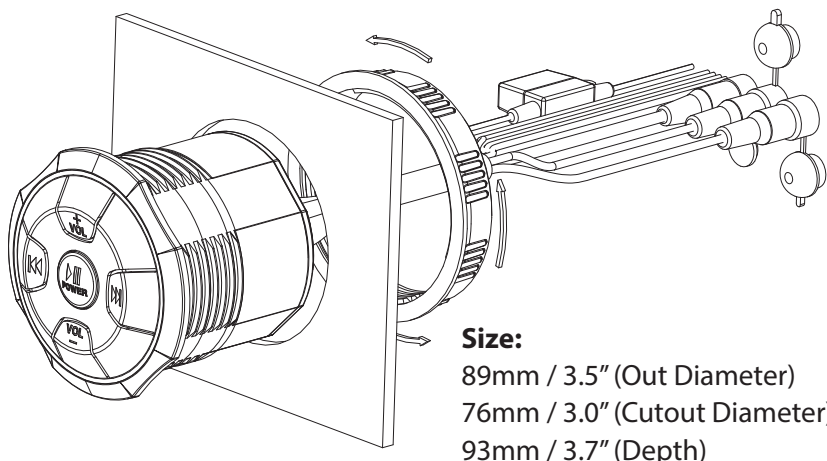
- a. When the device is out of the BT range, BT will be disconnected automatically, the light turns blue while blinking.
- b. BT will automatically reconnect when detected in range again in 10 minutes.
- c. Disconnected BT after 10 minutes, you need to process BT connection steps (above) to reconnect BT again.
- d. If the other device occupied the BT during this period (10mins), you need to process BT connection steps (above).
- e. If there is no connection during this period (10mins), it will turn to standby mode.

## Playing Music

- 1. Press and hold **▶||** 3 seconds for **Power ON** or **OFF**
- 2. Short press **▶||** to play music or pause
- 3. Double click power button to switch BT mode to Aux-in mode
- 4. Short press **▶▶** for next track
- 5. Short press **◀◀** for previous track
- 6. Press and hold **VOL+** for volume up
- 7. Press and hold **VOL-** for volume down



## Installation (Seamless Flush Mount)



### **PLMRBT18**

#### **Amplified Wireless BT Audio Controller**

Waterproof-Rated Marine Receiver Remote Control for Car, Truck, Boat, 4x4, PowerSport Vehicles (300 Watt)

#### **Features:**

- Universal Mount Wireless BT Streaming Control Unit
- Built-in Wireless BT Audio Receiver
- Waterproof-Rated Marine Grade Construction
- Water-Resistant & Weatherproof Design
- 2-Channel Amplifier Style
- Connect & Stream Audio from Additional External Devices
- Aux (3.5mm) Input
- Full Range Stereo Sound Reproduction
- Integrated Power Wiring Harness
- Pre-Amp RCA Out to Any OEM/Factory Made Mono-Block/ Full-Range Amplifier
- Surface/Flush Mount/Hand Bar Mounting Kits Included
- Universal Vehicle Mounting
- Can be In-Console Flush Mounted or Roll Bar/Roll Cage Mount
- Anti-Thump Turn-On
- Soft Turn On/Off
- Overload & Power Protection Circuitry
- Used for Car, Truck, ATV, UTV, 4x4, Boat, Marine Watercraft, PowerSport Vehicles

## Wireless BT Music Streaming:

- Simple & Hassle-Free Pairing
- Instant Wireless Audio Streaming Receiver
- Works with All of Today's Latest Devices  
Smartphones, Tablets, Laptops, Computers, etc.
- Wireless BT Version: 4.2
- Wireless BT Network Name: 'PYLEUSA'
- Wireless Range: 30'+ ft.

## What's in the Box:

- Wireless BT Control Unit
- Audio Connection Cable, 3.5mm
- Owner's Manual
- Warranty Card

## Technical Specs:

- Power Output: 300 Watt MAX
- 2 x 75 Watts RMS @ 4 Ohm
- 2 x 150 Watts MAX @ 4 Ohm
- Marine Grade Waterproof Rating: IP-65
- Amplifier Type: Class-D
- T.H.D: 0.1%
- S/N Ratio: >95dB
- Channel Separation: >65dB
- Frequency Response: 10Hz-40kHz
- Fuse: 10A
- Power Supply: DC 12V
- Handle-Bar Mount Size Support: Fits 1.5" ~ 2" -inch (Diameter)
- Cut-Out Diameter: 3" -inches
- Mounting Depth: 3.7' -inches
- Total Unit Dimensions (L x W x H):  
3.5" x 3.5" x 4.17" -inches (Flush Mount)

### **Questions? Issues?**

We are here to help!

Phone: (1) 718-535-1800

Email: [support@pyleusa.com](mailto:support@pyleusa.com)

# PYLE

PyleUSA.com



**VISIT US ONLINE:**

*Have a question?*

*Need service or repair?*

*Want to leave a comment?*

[PyleUSA.com/ContactUs](http://PyleUSA.com/ContactUs)

PYLE