

# PYLE

PyleUSA.com



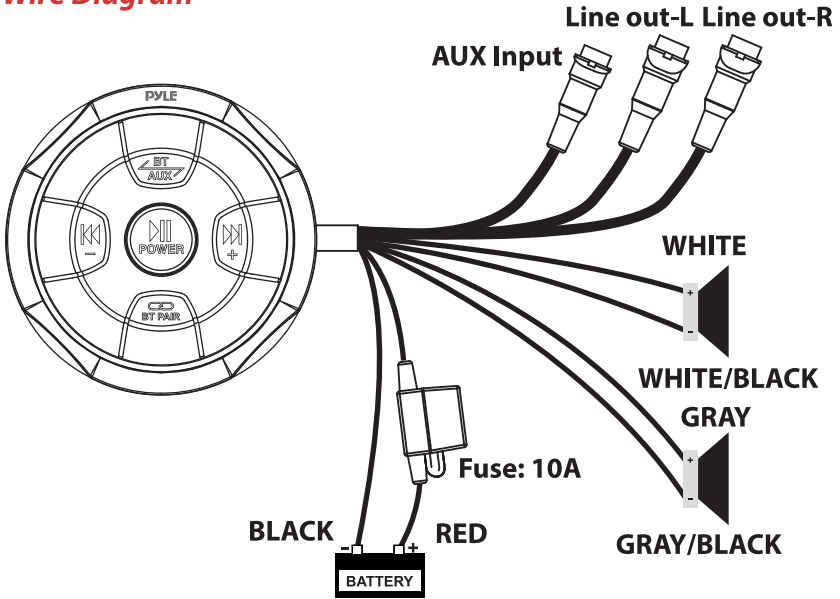
## *PowerSports*

### *PLMRBT19*

Amplified Wireless BT Audio Controller  
Waterproof-Rated Marine Receiver  
Remote Control for Car, Truck, Boat, 4x4,  
PowerSport Vehicles (800 Watt)

## USER MANUAL

## Wire Diagram



Wire Color	Description
Red	Battery (+), 12dc
Black	Battery (-), Ground
White	Output L (+)
White/Black	Output L (-)
Gray	Output R (+)
Gray/Black	Output R (-)

## BT Pairing and Connection

### Power:

1. Press and hold the power button to power ON/OFF.

### Wireless BT Streaming Connection:

- a. Ensure BT ability is activated, then search for the **PLMRBT19** from your BT-enabled device. The light will turn blue and blinks while waiting for BT connection.
- b. The **PLMRBT19** BT Network Name will appear as "**PyleUSA**" (No password is required for connecting).
- c. When the BT is connected, the light will turn blue and stops blinking.

## AUX-IN:

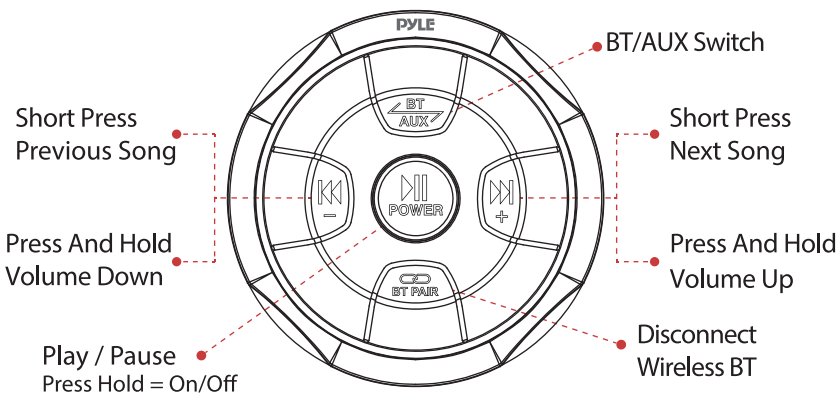
- a. Short press  $\frac{BT}{AUX}$  to switch BT mode to Aux-in mode.

## Auto Reconnection:

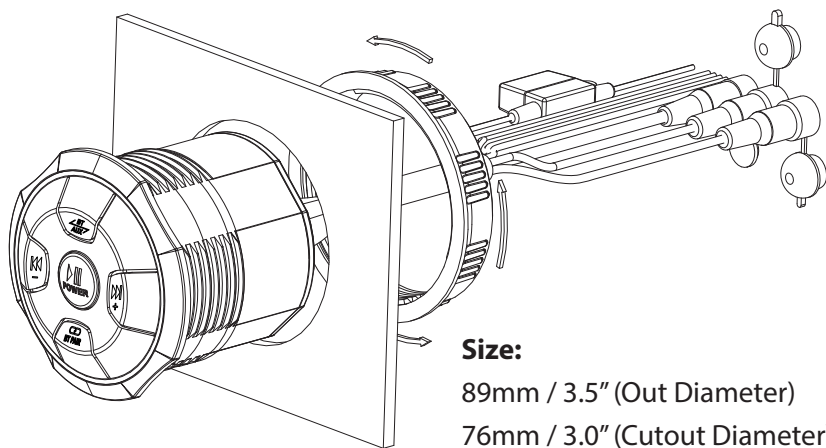
- a. When the device is out of the BT range, BT will be disconnected automatically, the light turns blue while blinking.
- b. BT will automatically reconnect when detected in range again in 10 minutes.
- c. Disconnected BT after 10 minutes, you need to process BT connection steps (above) to reconnect BT again.
- d. If the other device occupied the BT during this period (10mins), you need to process BT connection steps (above).

## Playing Music

1. Press and hold  $\blacktriangleright\blacktriangleright$  3 seconds for **Power ON or OFF**
2. Short press  $\blacktriangleright$  to play music or pause
3. Short press  $\frac{BT}{AUX}$  to switch BT mode to Aux-in mode.
4. Short press  $\blacktriangleright\blacktriangleright|/+$  for next track,  
press and hold  $\blacktriangleright\blacktriangleright|/+$  for volume up
5. Short press  $\blacktriangleleft\blacktriangleleft/-$  for previous track,  
press and hold  $\blacktriangleleft\blacktriangleleft/-$  for volume down
6. Press and hold  $\frac{BT}{PAIR}$  to disconnect Bluetooth



## Installation (Seamless Flush Mount)



### Size:

89mm / 3.5" (Out Diameter)

76mm / 3.0" (Cutout Diameter)

93mm / 3.7" (Depth)

### Features:

- Universal Mount BT Control Unit
- Built-in Wireless BT Audio Receiver
- Marine Grade Construction
- Water-Resistant, Weatherproof Design
- 2-Channel Amplifier Style
- Connect & Stream Audio from Additional External Devices
- Aux (3.5mm) Input
- Full-Range Stereo Sound Reproduction
- Integrated Power Wiring Harness
- Pre-Amp RCA Out to Any OEM/Factory-Made Mono-Block/ Full-Range Amplifier
- Flush Mount Mounting Kit Included
- Universal Vehicle Mounting
- Can be In-Console Flush Mounted
- Anti-Thump On/Off Option
- Soft Turn On/Off Option
- Overload & Power Protection Circuitry
- Great For Cars, Trucks, ATV's, UTV's, 4x4's, Boats, Marine Watercrafts, & PowerSport Vehicles

## Wireless BT Music Streaming:

- Simple & Hassle-Free Pairing
- Instant Wireless Audio-Streaming Receiver
- Works with All of Today's Latest Devices  
Smartphones, Tablets, Laptops, Computers, etc.
- Wireless BT Version: 5.0
- Wireless BT Network Name: 'PyleUSA'
- Wireless Range: Up to 30+ ft

## What's in the Box:

- (1) Wireless BT Control Unit
- (1) 3.5 mm Auto Connection Cable

## Technical Specs:

- Power Output: 800 Watt MAX
- 2 x 400 Watts MAX @ 4 Ohm
- 2 x 200 Watts RMS @ 4 Ohm
- Marine Grade Waterproof Rating: IP-65
- Amplifier Type: Class-D
- T.H.D:  $\leq 1\%$
- S/N Ratio:  $\geq 80$  dB
- Channel Separation:  $\geq 65$  dB
- Frequency Response: 20 Hz - 20 kHz
- Fuse: 15A
- Cut-Out Diameter: 3" -inches
- Mounting Depth: 3.7" -inches
- Power: DC 12V
- Total Unit Dimensions (Lx W x H):  
3.5" x 3.5" x 4.17" -inches (Flush Mount)



This product can expose you to a chemical or group of chemicals, which may include "Di (2-ethylhexyl) phthalate (DEHP)" which is known in the state of California to cause cancer, birth defects, or other reproductive harm.

**WARNING:** For more info, go to <https://www.p65warnings.ca.gov/>.

# PYLE

PyleUSA.com



**VISIT US ONLINE:**

*Have a question?*

*Need service or repair?*

*Want to leave a comment?*

[PyleUSA.com/ContactUs](https://www.pyleusa.com/ContactUs)

**PYLE**

***Questions? Issues?***

We are here to help!

Phone: (1) 718-535-1800

Email: [support@pyleusa.com](mailto:support@pyleusa.com)