

PLMRF65MW / PLMRF65MB

Dual 6.5" Waterproof-Rated Bluetooth Marine Speakers

2-Way Coaxial Full Range Amplified Speaker System with Wireless RF Streaming (600 Watt)

Features:

- Includes (2) 6.5" Coaxial Speakers (Active + Passive)
- Bluetooth Wireless Music Streaming Ability
- Wireless Radio Frequency (RF) Streaming Ability
- RF Audio Module Supports Additional Speaker Connectivity
- Extended Range Streaming Performance
- Marine Grade Waterproof-Rated Construction
- Water-Resistant & Weatherproof Design
- Amplified Master Speaker with Built-in 2-Ch. Digital Amplifier
- 2-Way Active Powered Speaker System
- Impressive Wide-Bass Response
- Full Range Stereo Sound Reproduction
- Universal Standard OEM Replacement Size
- RCA Audio Aux (L/R) Connectors
- Hassle-Free Easy Access Speaker Terminals
- Daisy-Chain Ability (Active to Passive Speaker) as Stereo System
- *Each Speaker Has the Ability to Serve as a Passive Type Speaker
- Reinforced Surround with Dense Speaker Cone
- Rugged Machined Basket & Grill with UV Resistant Housing
- Used For Car, Boat, Off-Road & Marine Vehicle Applications

Technical Specs:

- Power Output: 600 Watt MAX (300 Watt RMS)
- Marine Grade Rating: IP-X4
- Speaker Composition: Polypropylene Cone, Butyl Rubber Surround
- Voice Coil: 1.0", Aluminum (x2)
- Tweeters: 0.5", Neodymium Dome (x2)
- Impedance: 4 Ohm
- Sensitivity: 90 dB
- Circuit Magnet: 20 oz.
- Frequency Response: 85Hz-20kHz
- Active Speaker Weight: 1.71 lbs.
- Passive Speaker Weight: 1.67 lbs.
- Power Supply: DC 12V
- Sold as: Kit

What's in the Box:

- (1) 6.5" -inch Active Speaker
- (1) 6.5" -inch Passive Speaker
- Cut-Out Template
- Mounting Screws

Bluetooth Connectivity:

- Receiver Built-into Active / Master Speaker
- Allows Instant Wireless Music Streaming
- Simple Setup & Hassle-Free Pairing Ability
- Works with All of Today's Latest Devices (Smartphones, Tablets, Laptops, Computers)
- Bluetooth Version: 4.2
- Bluetooth Network Name: 'PyleUSA'
- Wireless Range: 30'+ ft. BT (100'+ ft. RF Streaming)

Sizes / Dimensions:

- Total Diameter: 6.9" -inches
- Cut-Out Diameter: 6.75" -inches
- Total Depth: 3.97" -inches
- Mounting Depth: 3.1" -inches

PYLE
PyleUSA.com



VISIT US ONLINE:
Have a question?
Need service or repair?
Want to leave a comment?
PyleUSA.com/ContactUs

PYLE

PYLE
PyleUSA.com



PLMRF65MW



PLMRF65MB

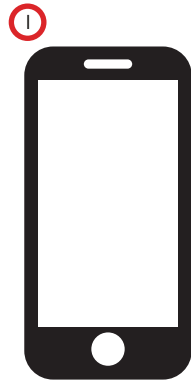
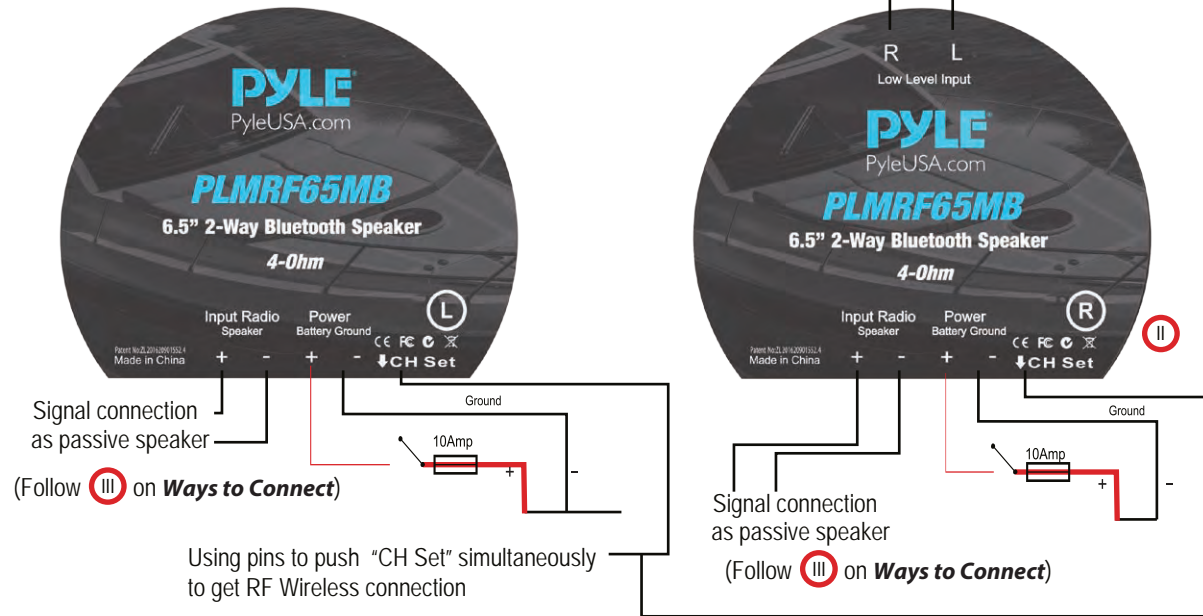


PLMRF65MW - PLMRF65MB Dual 6.5" Waterproof-Rated Bluetooth Marine Speakers

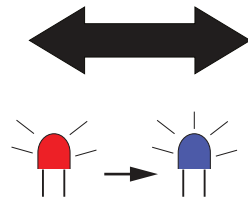
2-Way Coaxial Full Range Amplified Speaker System
with Wireless RF Streaming (600 Watt)

PLMRF65MW - PLMRF65MB

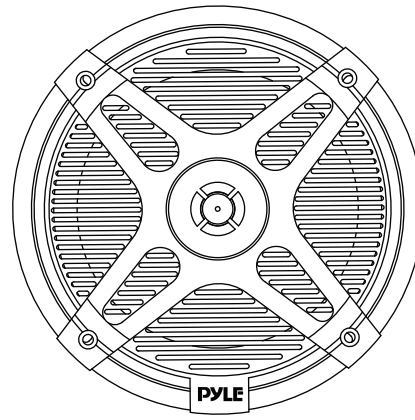
Installation Guide



1. "Turn on Bluetooth"



2. "Choose PyleUSA"



"Bluetooth Pairing Tone"

LED INDICATOR

Status	Main Speaker (R Channel)	2nd Speaker (L Channel)
POWER ON	RED	RED
RF Wireless Connection	RED	BLUE
Bluetooth Connection	BLUE	BLUE
RCA AUX-IN Connection	GREEN	BLUE

PLMRF65MW/PLMRF65MB Installation

Ways to Connect

• RF Wireless Audio Connection:

Install both speakers, as active powered speakers. Connect L and R Channel speakers, each to a 12V power source. Then use pins to press the "CH Set" buttons, simultaneously to pair the speakers. Upon successful power connection, the R Channel speaker LED indicator light will shine red -- and the L Channel speaker LED indicator light will shine blue.

***Note:** Recommended power installation should include a 10 amp fuse between the power source and speakers, ensure a proper and adequate power connection is established.



I Bluetooth Audio Connection:

Once the speakers are installed and powered, the Bluetooth network name from your device list will appear as 'PyleUSA'. Upon successful Bluetooth pairing connection you will hear a connection tone and the speakers will shine with a blue LED indicator light.

II Aux-in (External Audio Source) Connection:

The R Channel speaker features low-level audio input connectors to stream audio from external devices. Upon successful aux audio input connection, the R Channel speaker LED indicator light will shine green.

***Note:** The speakers must not be paired via Bluetooth wireless connection to allow Aux-in audio mode.

III Passive Speaker Connection:

Each speaker also has the ability to be used as a Passive-Type (un-powered) speaker. Ensure a proper audio source connection is made via each speaker's 'Input Radio Speakers' connectors.