

PLMRF65SW / PLMRF65SB

Dual 6.5" Waterproof-Rated Marine Speakers with Wireless RF Streaming
Supplemental Speakers for Pyle Models: 'PLMRF65MW / PLMRF65MW'

Features:

- Includes (2) 6.5" Coaxial Speakers
- Active Powered Speaker System
- Marine Grade Waterproof-Rated Construction
- Water-Resistant & Weatherproof Design
- Wireless Radio Frequency (RF) Streaming Ability
- RF Audio Module Supports Additional Speaker Connectivity
- Extended Range Streaming Performance
- Impressive Wide-Bass Response
- 2-Way Full Range Stereo Sound Reproduction
- Universal Standard OEM Replacement Size
- Hassle-Free Easy Access Speaker Terminals
- Reinforced Surround with Dense Speaker Cone
- Rugged Machined Basket & Grill with UV Resistant Housing
- Used For Car, Boat, Off-Road & Marine Vehicle Applications
- ***Supplemental Speakers Pair well with Pyle Model:**
'PLMRF65MW / PLMRF65MB' (Sold Separately)

Technical Specs:

- Power Output: 600 Watt MAX (300 Watt RMS)
- Marine Grade Rating: IP-X4
- Wireless Radio Frequency (RF) Streaming Range: 100'+ ft.
- Speaker Composition: Polypropylene Cone, Butyl Rubber Surround
- Voice Coil: 1.0", Aluminum (x2)
- Tweeters: 0.5", Neodymium Dome (x2)
- Impedance: 4 Ohm
- Sensitivity: 90 dB
- Circuit Magnet: 20 oz.
- Frequency Response: 85Hz-20kHz
- Power Supply: DC 12V
- Single Speaker Weight:
1.67 lbs. (-Each Speaker)
- Sold as: Pair

What's in the Box:

- (2) 6.5" -inch Marine Speakers
- Cut-Out Template
- Mounting Screws

Sizes / Dimensions:

- Total Diameter: 6.9" -inches
- Cut-Out Diameter: 6.75" -inches
- Total Depth: 3.97" -inches
- Mounting Depth: 3.1" -inches

PYLE
PyleUSA.com



VISIT US ONLINE:
Have a question?
Need service or repair?
Want to leave a comment?
PyleUSA.com/ContactUs

PYLE

PYLE
PyleUSA.com



PLMRF65SW



PLMRF65SB



PLMRF65SW - PLMRF65SB
Dual 6.5" Waterproof-Rated Marine Speakers
with Wireless RF Streaming

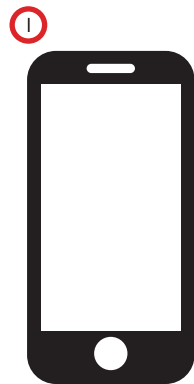
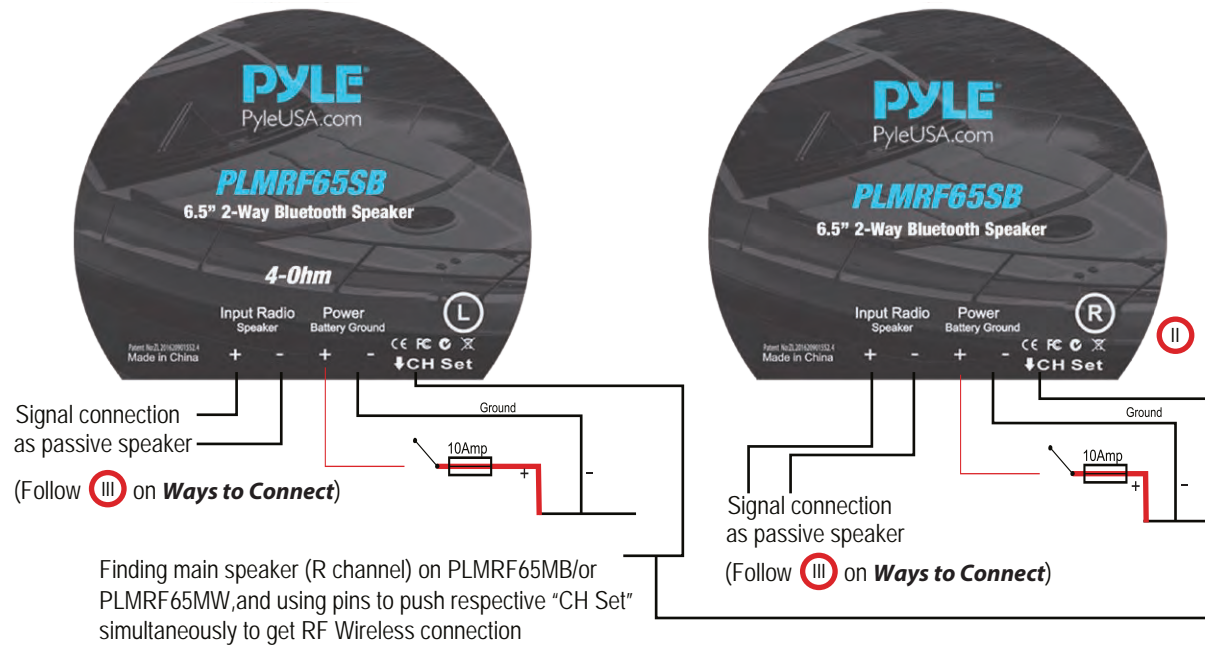
Supplemental Speakers for Pyle Models: 'PLMRF65MW / PLMRF65MW'

PLMRF65SW / PLMRF65SB

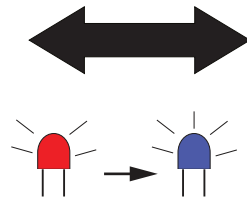
Installation Guide

Important Note:

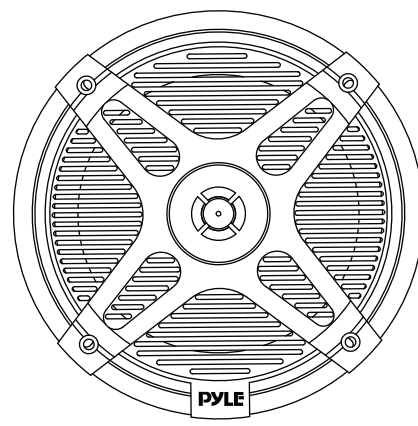
The Pyle Model: PLMRF65SW / PLMRF65SB speakers are designed as supplemental / additional external speakers -- to expand your audio and work with the primary marine speaker system (**Pyle Model:** PLMRF65MW / PLMRF65MB -- sold separately).



1. "Turn on Bluetooth"



2. "Choose PyleUSA"



Main speaker (R Channel) of PLMRF65MB/PLMRF65MW

“Bluetooth Pairing Tone”

LED INDICATOR

Status	Main Speaker (R Channel)	2nd Speaker (L Channel)
POWER ON	RED	RED
RF Wireless Connection with PLMRF65MB/or PLMRF65MW	BLUE	BLUE
Bluetooth Connection	BLUE	BLUE
RCA AUX-IN Connection	BLUE	BLUE

PLMRF65SW/PLMRF65SB Installation

Ways to Connect

• RF Wireless Audio Connection:

Install both speakers, as active powered speakers to expand your sound system. Connect L and R Channel speakers, each to a 12V power source. Then use pins to press the "CH Set" buttons, simultaneously to pair the speakers. Upon successful power connection, the R Channel speaker LED indicator light will shine red -- and when a successful / complete wireless RF audio connection is made, both speakers will shine blue.

***Note:** Recommended power installation should include a 10 amp fuse between the power source and speakers, ensure a proper and adequate power connection is established.

I Bluetooth Audio Connection:

Once the speakers are installed and powered to the primary speaker system - these supplemental speaker allow you to stream and expand the connected Bluetooth streaming audio.

II Aux-in (External Audio Source) Connection:

Once the speakers are installed and powered to the primary speaker system -- these supplemental speaker allow you to stream and expand the connected aux/external input streaming audio.

***Note:** The speaker system must not be paired via Bluetooth wireless connection to allow Aux-in audio mode.

III Passive Speaker Connection:

Each speaker also has the ability to be used as a Passive-Type (un-powered) speaker. Ensure a proper audio source connection is made via each speaker's 'Input Radio Speakers' connectors.

PLMRF65MB / PLMRF65MW (Primary Speaker System -- Sold Separately)



L CHANNEL

R CHANNEL



PLMRF65SB / PLMRF65SW (Supplemental Speaker System)