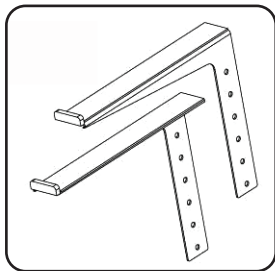


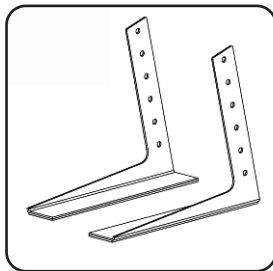
USER MANUAL

PREPARATION:

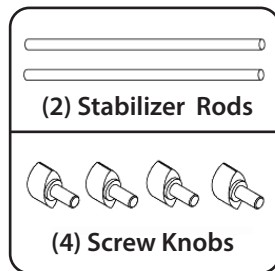
Remove the following parts from the box and identify all the parts:



(2) Upper Supports



(2) Lower Supports



(2) Stabilizer Rods

(4) Screw Knobs

ASSEMBLING INSTRUCTIONS

1. Start by removing the end caps from the two stabilizer rods.
2. Assemble the left/right support brackets. Take one side of the upper supports and match it with the corresponding side lower support (the lower supports feature an anti-slip grip pad on the bottom) - **Figure A**.

Align the mounting holes at the desired height and position the Screw Knobs through the supports (ensure not to over-tighten). -**Figure B**.

NOTE:The Stabilizer Bars **MUST** be positioned at least 2 holes apart.

3. Repeat steps 1 & 2 above to assemble the other side of the stand's support bracket aligning the correct heights of the stabilizer rods.

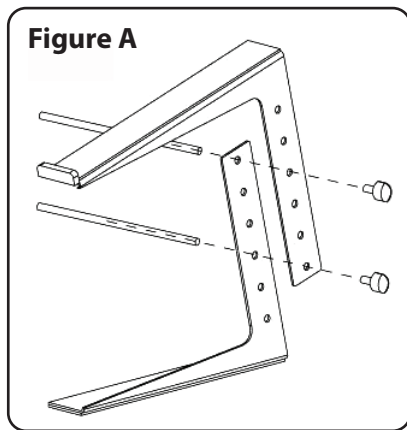


Figure A

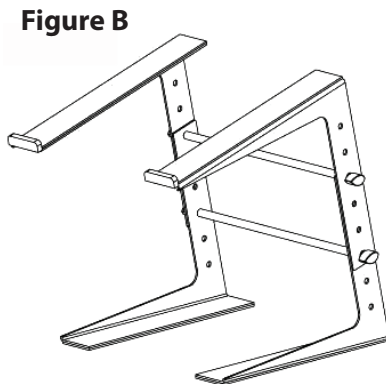


Figure B