

**PYLE**  
PyleUSA.com



# *PLRV1725*

## Vehicle Flip-Down Display Screen

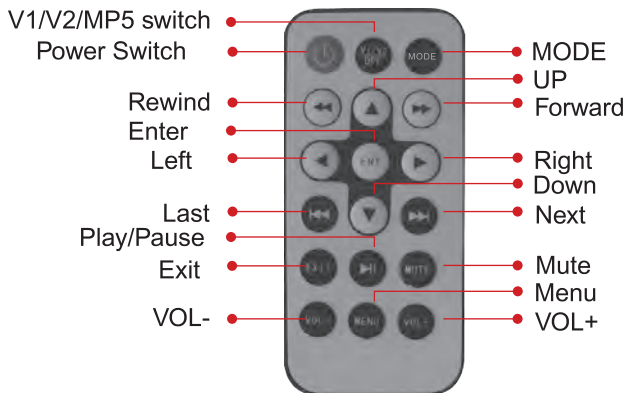
Roof Mount Monitor with 1080p Support, HDMI/USB  
/Micro SD/IR/FM Transmitter (17.3" -inch Display)

## PRODUCT PANEL INTRODUCTION

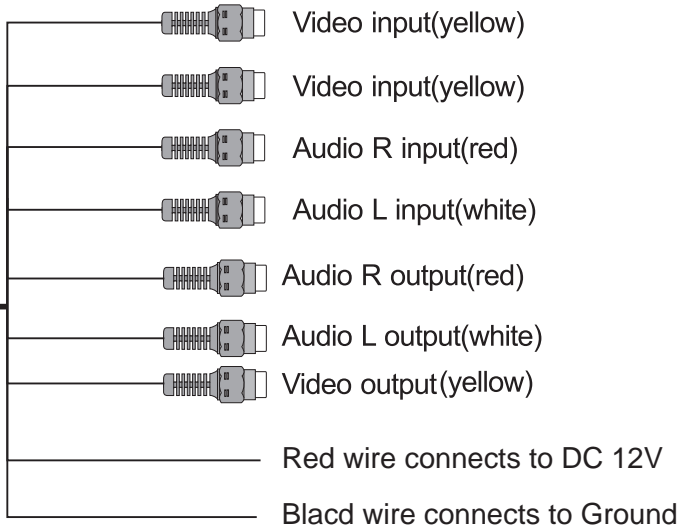
1. Open
2. Power ON/OFF, AV Switch
3. Analog +
4. Menu
5. Analog -
6. Light ON/OFF
7. Standby



## REMOTE CONTROL

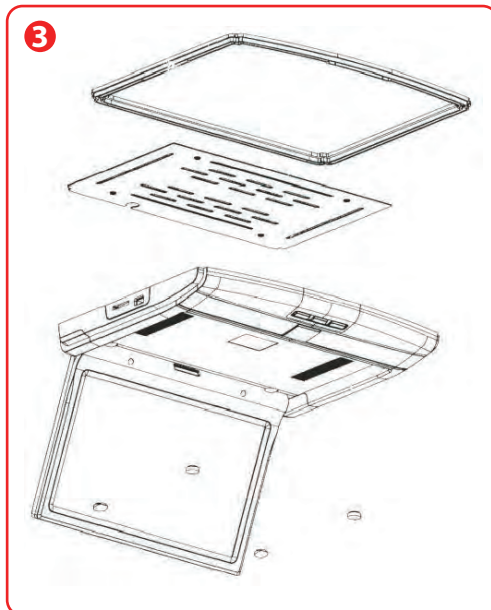
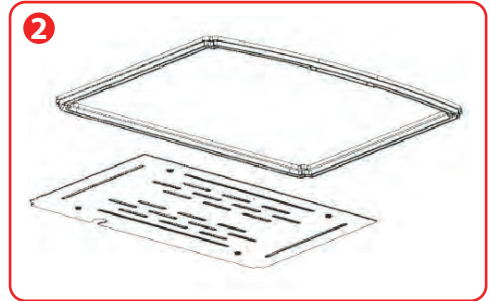
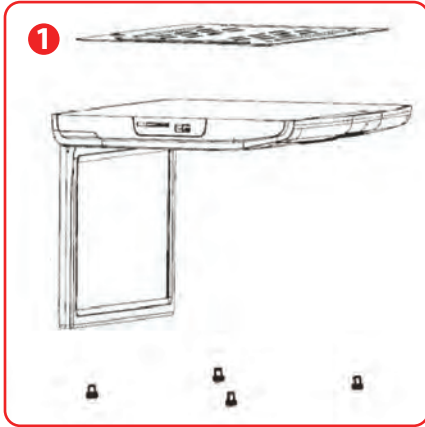


# INSTALLATION DIAGRAM



## INSTALLATION

1. Take off the fixed screws on the base plate.
2. Screw the iron plate on the vehicles ceiling and tightly fix the sealing ring.  
(Gap Sealing Ring optional)
3. Connect all cables and using the screws, fix the monitor to the iron plate then put the nut screw into the screw hole.



## PLRV1725

### Vehicle Flip-Down Display Screen

Roof Mount Monitor with 1080p Support, HDMI/USB/ Micro SD/  
IR/FM Transmitter (17.3" -inch Display)

#### Features:

- Universal Vehicle Mount Overhead Display
- Car Video Entertainment System
- Convenient Flip-Down Screen Access
- Hi-Res LCD Wide-Screen Video
- Full HD 1080p Support
- HDMI Input
- Built-in Stereo Speakers
- Front Panel Button Controls
- USB Flash & TF Memory Card Readers
- Connect Additional Device via RCA (Audio/Video) Wiring Harness
- Built-in IR Transmitter for Wireless IR Headphone Use
- FM Transmitter

#### What's in the Box:

- Roof Mount Monitor Console
- Power Wiring Harness Cable

#### Technical Specifications:

- Display Type: LCD, 17.3" -inches
- Video System: PAL / NTSC Compatible Auto Switching
- Aspect Ratio: 16:9
- Screen Resolution: 1680 x 800 Pixels
- Contrast Ratio: 300:1
- Brightness: 350 cd/m<sup>2</sup>
- English OSD Menu
- Digital File Compatibility: MP3, MP4, MP5, JPG, MPEG4, WMA, AVI
- Maximum USB/SD Card Size: 32GB
- Power Supply: DC 12-24V
- Dimensions (L x W x H): 19.7" x 12.2" x 1.7" -inches (Closed)
- Sold as: 1

# PYLE

PyleUSA.com



**VISIT US ONLINE:**

*Have a question?*

*Need service or repair?*

*Want to leave a comment?*

[PyleUSA.com/ContactUs](http://PyleUSA.com/ContactUs)

PYLE