

PowerSports

PYLE
PyleUSA.com

PYLE
PyleUSA.com



VISIT US ONLINE:
Have a question?
Need service or repair?
Want to leave a comment?
PyleUSA.com/ContactUs

PYLE

Questions? Issues?
We are here to help!
Phone: (1) 718-535-1800
Email: support@pyleusa.com



PLUTV51BK

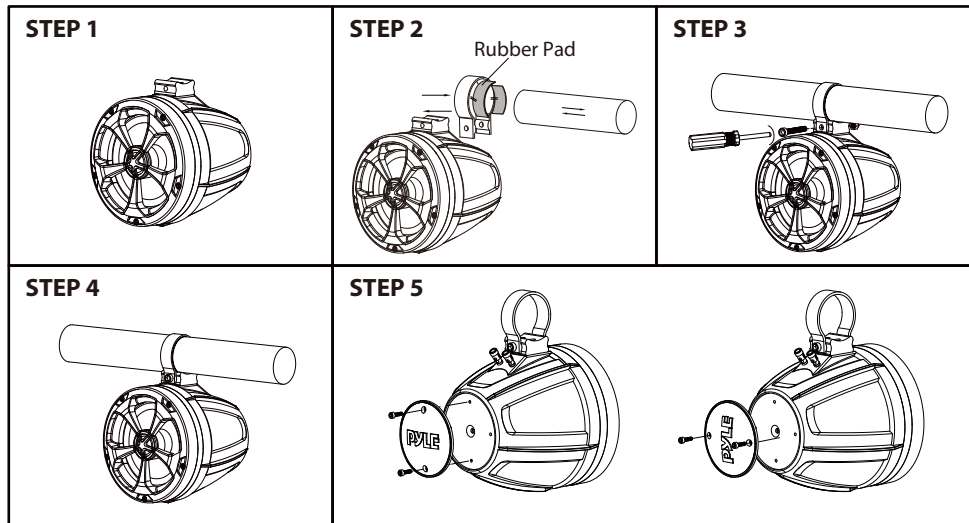
5.25" Waterproof Rated Off-Road Speakers

UTV Compact PowerSport Vehicle Speaker System
(1000W) (Pair)

USER MANUAL

PLUTV51BK Installation

Speaker Mounting suggestion as below:



Step 1: Put the **PLUTV51BK** speaker in a safe place.

Step 2: Slide in the buckle with rubber pad attached to the bracket stand of the speaker. Attach the set to the handle bar of vehicle/ship.

Step 3/4: Attach screw to lock the buckle.

Step 5: Option for adjustable PYLE logo---Unbolted the screws first, adjusting logo direction, then re-fix screws.

What's in the Box:

- (2) 5.25" -inch ATV/UTV Speakers
- (2) Speaker Connection Wires, 6.5' ft.
- (2) 1.75" Aluminum Mounting Brackets
- (2) 2" Aluminum Mounting Brackets
- (2) 6.5" x 0.95" x 0.67" Inches Rubber Pads
- (2) 5.7" x 0.95" x 0.67" Inches Rubber Pads
- (2) 6x50mm Hexagon Socket Head Cap Screws
- (2) Stainless Steel Nuts

Features:

- Pro Audio PowerSport Speakers
- Compact & High-Powered Output
- Marine Grade Waterproof Rated Construction
- Weatherproof & Water-Resistant Housing
- Sound System: (2) x 5.25" Woofers + (2) x 1" Tweeters
- 2-Way Full Range Stereo Sound Reproduction
- Impressive Bass Response
- Integrated Speaker Wiring for Quick Connection
- Sleek Design, Machine Molded Speaker Cabinet Housing
- Rugged, Universal Mount Bracket Design for Roll-Bar / Roll-Cage
- Used for Off-Road Outdoor Vehicles: ATV, UTV, 4x4, Jeeps, Marine Watercraft

Technical Specs:

- Power Output: 1000 Watts
- Marine Grade Waterproof Rating: IP-X45
- Speaker Size: 5.25" -inch (Each)
- Speaker Style: Passive Speakers
- Speaker Type: Polypropylene Cone, Butyl Rubber Surround (x2)
- Tweeter Type: Neodymium Dome (x2)
- Frequency Response: 80Hz-20kHz
- Impedance: 4 Ohm
- Magnet Type: 24 oz. Circuit
- Mid-Woofer Voice Coil Type: 1", Aluminum
- Sensitivity: 88 dB +/- 2 dB @ 1M/1W
- Universal Mounting Brackets Roll-Bar / Roll-Cage Diameter: 1.75" ~ 2.0" -inches
- Speaker Dimensions: 6.5" x 7.1" x 9.5" -inches, with Bracket (-Each)



This products can expose you to a chemical or group of chemicals, which may include "**Di (2-ethylhexyl) phthalate (DEHP)**" which is known in the state of California to cause cancer, birth defects, or other reproductive harm. For more info, go to <https://www.p65warnings.ca.gov/>.

WARNING: