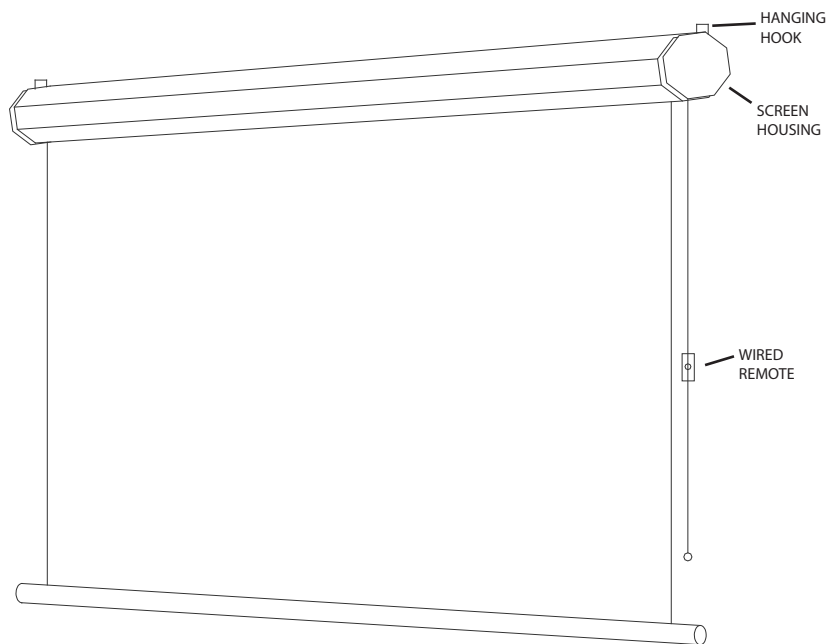


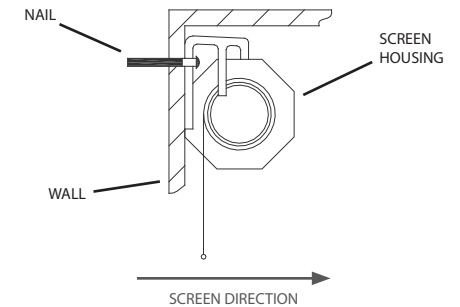
INSTALLATION AND USAGE OF ELECTRIC SCREEN:

1. Carefully remove the screen after opening the box. Be careful not to damage the surface of the screen or its housing during this process.
2. According to projecting requirements, fix up the wall shelf securely. (Note that the two wall shelves must be at the same height, otherwise screen surface will be slanted to one side)
3. Carefully hang the screen on the wall shelf.
4. Once installation is complete, a red light will show on the switch box when the screen is powered on. Press the **UP** and **DOWN** switch on the switch box to make sure the screen functions normally.
5. Use either the wired, or included wireless remote to control the screen according to your preference.



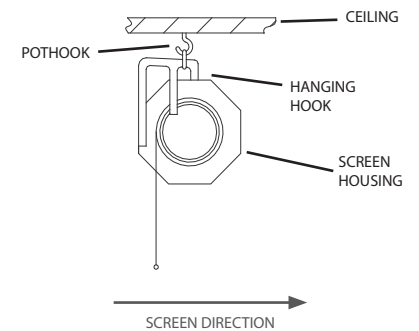
WALL MOUNT:

There is a key ring on the bracket at both ends of the screen, when you need to hang projection screen on the wall, you should hammer down nails or install screws at the corresponding position on the wall first, then hang up the screen.



CEILING MOUNT:

When you need to hang projection screen on the ceiling, you should install two pieces of pothooks at the corresponding position on the ceiling first, then latch on hanging hook which is on the end cap of projection screen.



REMOTE USAGE:

Press the **UP** button to raise the screen and the **DOWN** button to lower the screen for viewing. Press **STOP** at any point to position the screen anywhere in between its highest and lowest position

* NOTE: Screen can be controlled by both wired and wireless controllers

Specifications

MODEL	PRJELMT76	PRJELMT86	PRJELMT106
TOTAL SCREEN SIZE	52.8" x 59.1"	60.2" x 68.9"	68.9" x 80.7"
VIEWING AREA	72 in. Diagonal (42.9" x 57.0")	84 in. Diagonal (50.4" x 67.0")	100 in. Diagonal (59.1" x 78.7")
HOUSING WIDTH	69.3"	79.1"	91.0"

Aspect Ratio: 4:3/HD
Viewing Area: 128cm *170cm
Screen Gain: 1.3, Triple layered
Surface: Matte white, washable
Borders: Standard 4 black masking borders
Casing Color: White
Operation: Wired controller, Wireless remote control
Power: 120V, AC

Troubleshooting

FIXING THE MIN/MAX POSITION

Every screen is factory set to an adequate fixed position before packaging, however due to movement during transportation, this position may shift. This is entirely normal and can easily be remedied by adjusting the two holes as detailed below:

YELLOW HOLE:

Adjust the **max retraction position** if screen does not stop where it should when being retracted into the housing. Adjust clockwise and counterclockwise until you reach your desired position.

GREY HOLE:

Adjust the **max drop position** if screen does not stop where it should when being lowered for viewing. Adjust clockwise and counterclockwise until you reach your desired position.



Motorized Projector Screen

w/ Remote Control



Models:

PRJELMT76

PRJELMT86

PRJELMT106

PYLE
PyleUSA.com