



Owners Manual

PRJS56W

PRJS56B

PRJS66W

PRJS66B

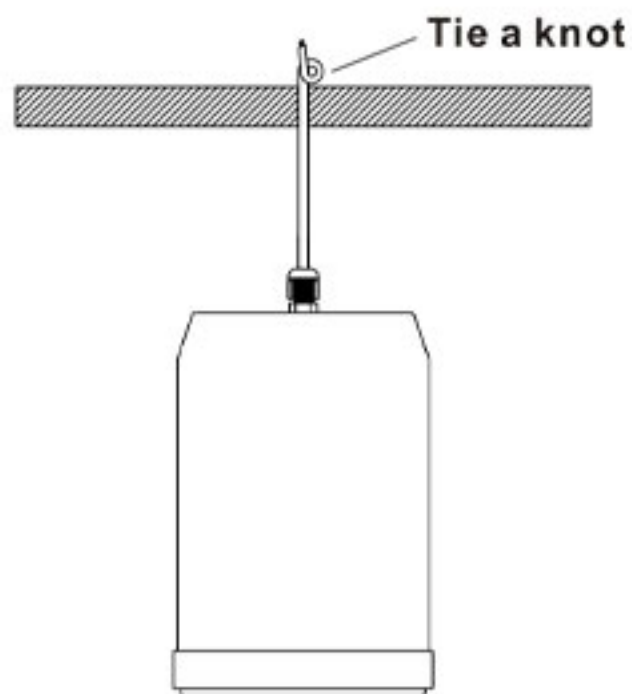
How to use

1. Careful attention should be required for the polarity when more than two speakers are in operation at the same place, otherwise the sound of poor quality and/or sound pressure of low level will be reproduced. Connection should be made in the same way as in the case of battery, same polarity with parallel connection and different polarity with series connection.
2. To avoid electric shocks, be sure to switch off the amplifier's power when connecting speakers.
3. Do not operate the unit for an extended period of time with the sound distorting. This is an indication of a malfunction, which in turn can cause heat to generate and result in a fire.
4. Connect the speakers to be equal the total input power (wattage) to the output power of amplifier for high impedance connection. It means the impedance matching.

This creates a much more pleasant listening environment as the sound source can be uniformly heard through the entire room, regardless of location and with less interference with sounds such as conversation.

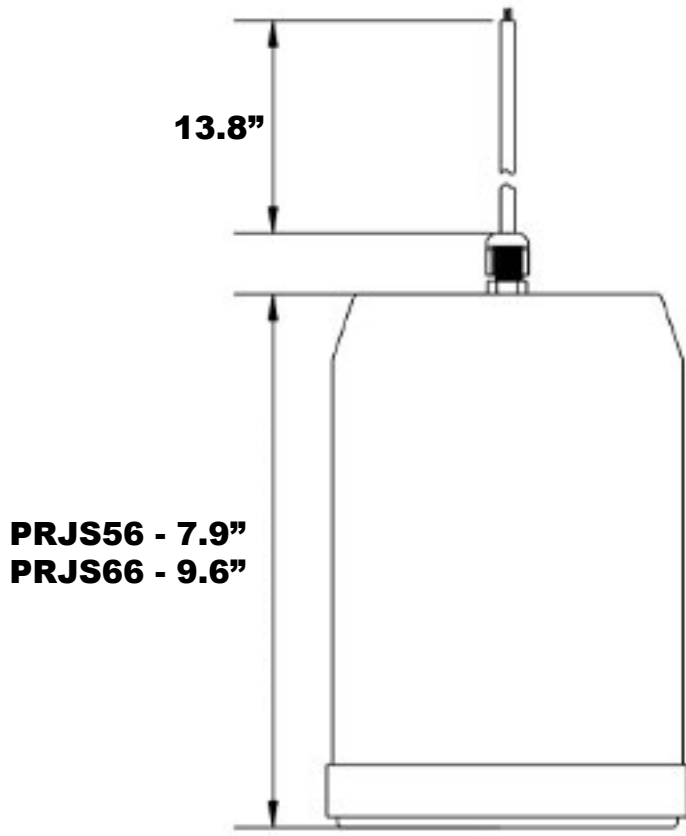
INSTALLATION

- Be sure to direct the speaker down towards the ground. Otherwise, rain floods the speaker, causing its failure.
- No mounting hardware such as bolts and nuts is supplied with the speaker. Use commercial mounting hardware appropriate for the installation environment.
- Please install only with either flexible conduit or flexible wiring.

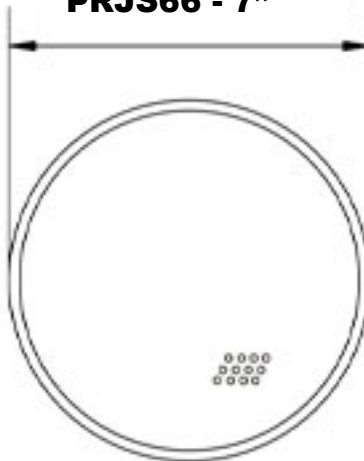


Mounting on the Ceiling

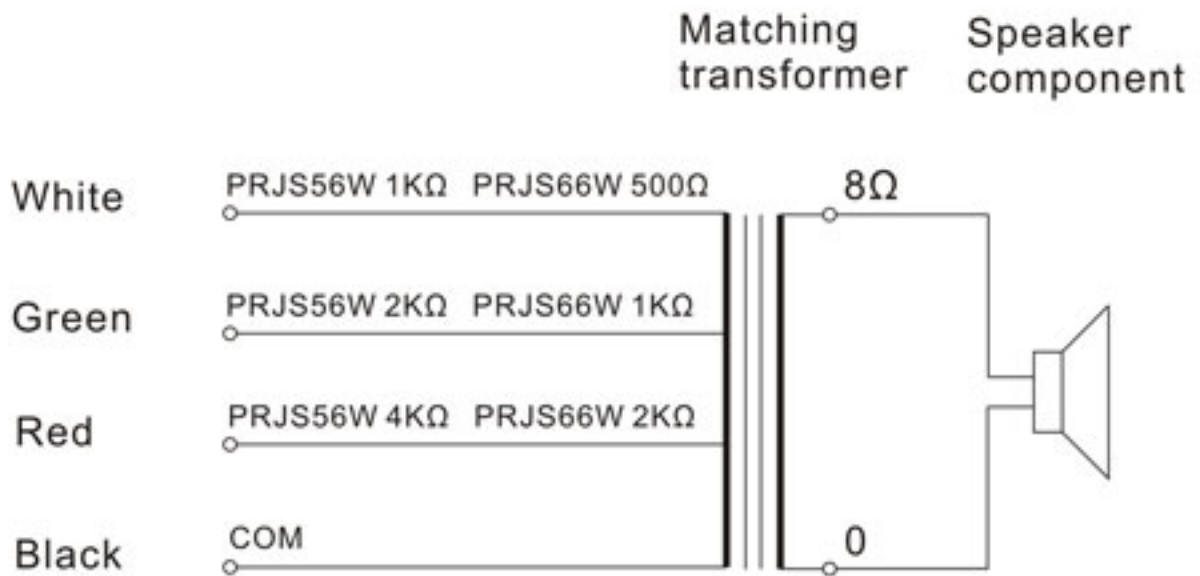
Dimensions



PRJS56 - 5.5"
PRJS66 - 7"



WIRING DIAGRAM



Specifications

Technical data	PRJS56W	PRJS66W
	PRJS56B	PRJS66B
Load rating	20W	40W
Transformer tapings	10/5/2.5W/70V	20/10/5W/70V
Frequency range	130Hz-17KHz	100Hz-17KHz
SPL(@1W/m)	90 dB	92 dB
Speaker Ø(mm) and Impedance	5"8Ω	6 ½"8Ω
Dimension Ø×L(mm)	138×200mm	177×245mm
Material	ABS	ABS