



PS900

**PROFESSIONAL AUDIO PROCESSOR POWER
SEQUENCER WITH 9 OUTPUTS**



www.pyleaudio.com

OWNER'S MANUAL

CAUTION!

RISK OF ELECTRIC SHOCK DO NOT OPEN

TO PREVENT ELECTRIC SHOCK DO NOT REMOVE TOP OR BOTTOM COVERS. NO USER SERVICEABLE PARTS INSIDE. REFER SERVICING TO QUALIFIED SERVICE PERSONNEL. DISCONNECT POWER CORD BEFORE REMOVING BACK PANEL COVER TO ACCESS GAIN SWITCH.

WARNING!

TO REDUCE THE RISK OF ELECTRIC SHOCK, DO NOT EXPOSE THIS EQUIPMENT TO RAIN OR MOISTURE!

Magnetic field

CAUTION! Do not locate sensitive high-gain equipment such as preamplifiers or tape decks directly above or below the unit. Because this amplifier has a high power density, it has a strong magnetic field which can induce hum into unshielded devices that are located nearby. The field is strongest just above and below the unit. If and equipment racks are used, we recommend locating the amplifier(s) in the bottom of the rack and the preamplifier or other sensitive equipment at the top.

WATCH FOR THESE SYMBOLS:



This symbol is used to alert the operator to follow important operating procedures and precautions detailed in documentation.



This symbol is used to warn operators that uninsulated dangerous voltages are present within the equipment enclosure that may pose a risk of electric shock.

Introduction & Features

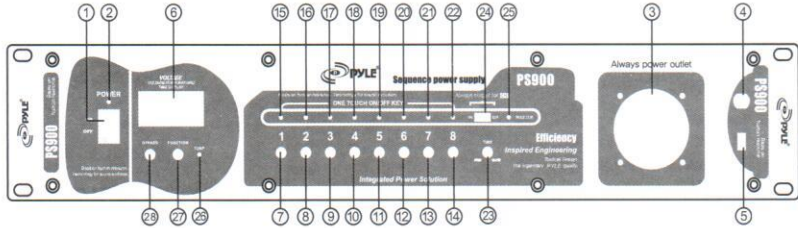
Welcome to PYLE, and thank you for being part of our extended family!

This amazing professional audio processor has a built in high performance Micro-Controller for precise electrical timing. This unit provides clean filtered AC power with built in two stage EMI filter for each output. 8 channel cut-switch rear panel American Standard outputs and 1 constant un-switched front panel. Other voltage outputs: 1 DC 12 Volt and 1 DC 24 Volt. You can link more than 100 units together with automatic master unit display. The display shows AC voltage, ambient temperature, wiring and ground status all in real time. 8 Segment display for step Time and various LEDs cover output, master, bypass, power, voltage and sequence.

Professional Audio Processor Power Sequencer with 9 Outputs

- * Supplies Clean Filtered AC Power with Two-Stage, High-performance, High Insert-dissipation
- * High Performance Micro-controller Unit Ensures High Level Precise Timing
- * Built-in Two Stage EMI Filter for Each Output (On Rear Panel)
- * AC Voltage, Ambient Temperature and Step Time Display via: Function Key
- * Able to Series Link More than 100 Units with Automatic Master Unit Display
- * Selectable Step Time and Real Time Display
- * Output Cut Switch for All Eight Channels on real panel
- * Monitors AC Voltage in Real Time
- * LED Displays: Output Cut, Master, Bypass, Power, AC Voltage and Temperature
- * Step Time Display in 8 Segment LED
- * Sequence Switch LED
- * Monitors Ambient Temperature in Real Time
- * Display Shows Wiring and Ground Status
- * One Constant Power Jack Output Un-switched on Front Panel
- * 8 Channels Output with American Standard Power Jacks on Rear Panel
- * Link Connector: S-Video 4 Pins
- * Other Outputs: One DC 12Volt-0.4 Amp, One DC 24V-1.5 Amp
- * Output Current: Max 15 Amp AC
- * Output Voltage: Max 135 Volt AC
- * Output Power: 2000W
- * Sequence Switch Time: 2 seconds (can be adjusted at four switches among 0.5-2seconds)
- * Unit Dimensions: 19" x 13.8" x 3.9" inch
- * Unit Weight: 15.9 lbs.

Front Panel Introduction



1. Outlet power on
Push down to start the sequence switch on.
2. Outlet power on LED
This LED indicates the outlet power on.

3. Outlets Always Output

- Assistant power outlet, connects to the AC input directly, power always valid.
4. Assistance light connector
This is BNC connector, it can supply 12V/0.5A power, customer can use a gooseneck light connect to here .
 5. Power switch for the assistance light
It can Power ON-OFF The Light according to the switch position.
 6. DISPLAY WINDOW
Display Sequence Time or temperature or voltage by FUNCTION key select.
 - 7-22. One touch on/off key and LED
When the sequence switch and the LED are on, if you want one outlet is out off power, then can push the related key. The LED indicates that the related outlet's status.
 23. Internal delay time selector

For choosing internal delay time: 0.5s-1.0s-2.0s-4.0s

24. Delay model for channel 1

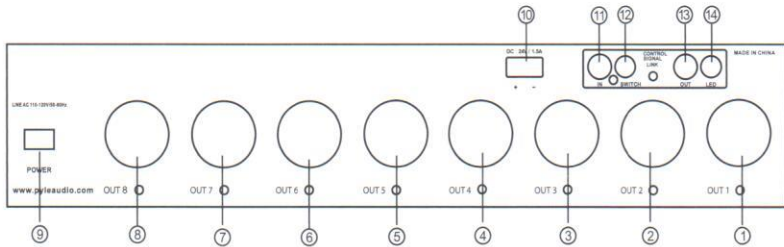
After start the power sequence, you can set the channel 1 on delay 10 minutes or always off. We are applying the patent now for this function.

25. MASTER LED

Indicates that the unit is the Master unit if the units work via link, if a single unit works, the LED is on too.

26. TEMP SENSOR
Sease the temp for current environment , please don't cover the hold.
27. FUNCTION Select
Button switch for Fahrenheit/Centigrade temperature or Voltage and display on the LED window.
28. BYPASS Switch
Push down, the outlet is out off control, all the outlet is close. Push up, the unit is normal.

Rear Panel Introduction



1-8. Outlets OUT1-OUT8

Power outlet, can carry 15AMP(RMS) each outlet, Otherwise the unit is not safe.

9. Main power supply with standard American plug

10. DC 24V/1.5A Output.

11. Link in

Many unit works via link, if you need to link up, then the upper unit will be connected to here.

12. Remote control link

You can set a extra switch to replace the power switch to acheave the long distance control.

13. Link out

Many unit works via link, if you want to link next unit, then the lower unit should be connected to here.

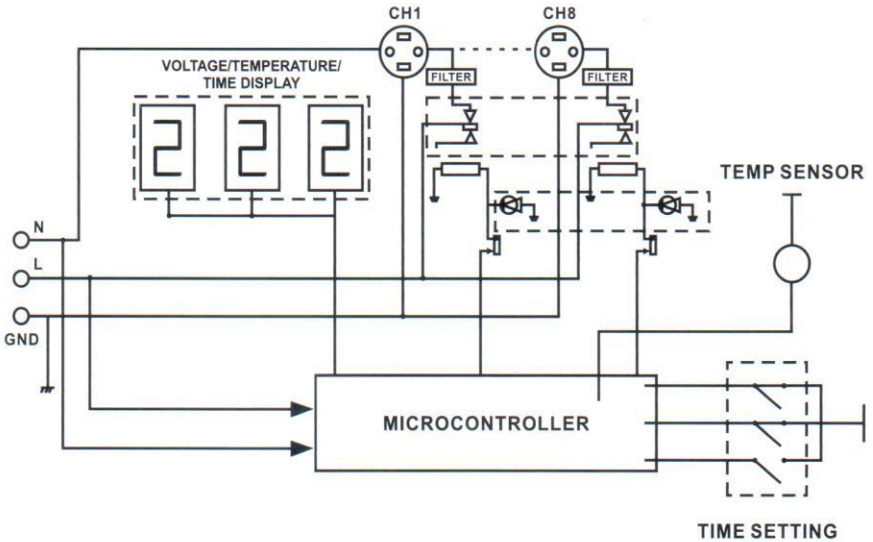
14. LED for remote control

Indicates the unit status, to use it with Remote control link together.

Products Datasheets

| Items | Model | PS900 |
|------------------|--|---|
| Features | 1, High-performance Mcu As Control Center, Ensure Higher Precise Time. 2, Step Time Selectable And Display. 3, Monitoring AC Voltage Real Time. 4, Wiring Good, Ground Good Display. 5, Automatic Master Display. 6, Output Cut Switch For Each Channel | 7, Monitoring Ambient Temperature Real Time. 8, 1 AC Jacks Unswitched On The Front Panel. 9, Series Link. |
| Special Function | 1, Step Time Selectable And Display. | 5, Monitoring Ambient Temperature Real Time. |
| | 2, Monitoring AC Voltage Real Time. | 6, Supplied Clean AC Power With The Highperform- |
| | 3, Wiring Good, Ground Good Display. | ance, high insert-dissipation, Two Stage therefore |
| | 4, Automatic Master Display. | Filter. |
| Specification | 1, Output Current: Max. 15A/AC | |
| | 2, Output Voltage: Max. 135V/AC | |
| | 3, Sequence switch time space is 2 seconds | |
| | 4, Able To Series Link More Than 100 Units | |
| | 5, Master Unit Display | |
| | 6, Sequence switch LED | |
| | 7, Built-in Two Stages EMI Filter Each Output On The Rear Panel | |
| | 8, AC Voltage, Ambient Temperature And Step Time Display Via The Function Key | |
| I/O Connector | 1, 8 Channels Output With American Standard Power Jacks On The Rear Panel | |
| | 2, Link Connector: S-Video 4 Pins On The Rear Panel | |
| | 3, One group bypass American standard output (OUT9) on the panel | |
| | 4, Output Power: 2200W Each Channel | |
| | 5, Two AC12V/0.4A output, one DC24V/1.5A output | |
| Controller | 1, Control by Long distance switch | |
| | 2, Output Cut Switch For Each Channel | |
| | 3, Delay 3 minutes of first group cut select switch | |
| | 4, Link Connector | |
| | 5, Function | |
| Display | 1, Output Cut LED | |
| | 2, Master LED | |
| | 3, Bypass LED | |
| | 4, Power LED | |
| | 5, AC Voltage / Temperature / Step Time Display In 7 Segment LED | |
| Construction | 1, Unit Dimensions: 19" x 13.8" x 3.9" inch | |
| | 2, Packing Dimensions: 20.1" x 16.3" x 6.9" inch | |
| | 3, Shipping Weight: 18 lbs. | |
| | 4, Unit Weight: 15.9 lbs. | |
| Power | 1, Required AC Mains :115VAC/60Hz | |
| | 2, Dissipation Power:20W | |
| Accessories | User's Manual | |
| | Guarantee Card | |
| | One Link/Connetting Cable | |
| | | |
| | | |

BLOCK DIAGRAM



Filter Schematic Diagram

