

# PYLE

PyleUSA.com



**PSLSW4**  
4-Channel Audio Speaker Receiver System



**PSLSW6**  
6-Channel Audio Speaker Receiver System

*PSLSW4 - PSLSW6*  
Multi-Zone Speaker Selector

## USER MANUAL

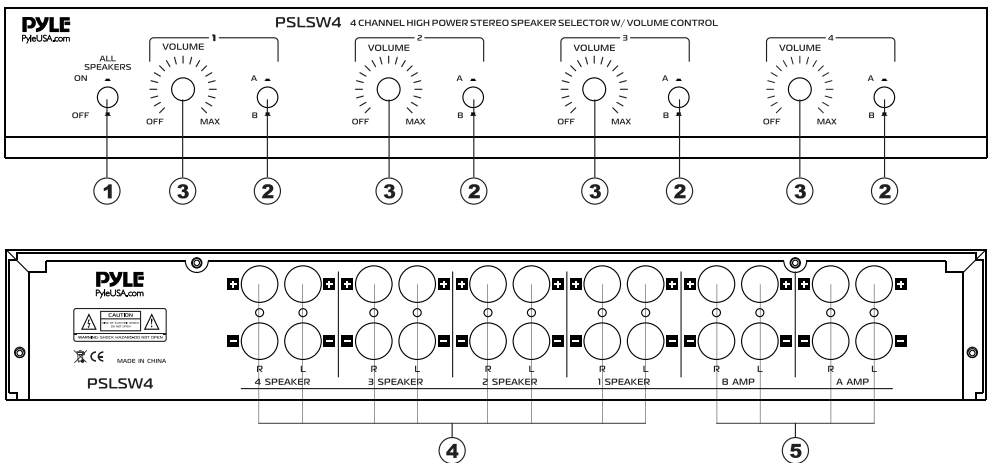
**PSLSW4 - PSLSW6** lets you connect up to four (PSLSW4) or six (PSLSW6) separate pairs of speakers to your stereo receiver/amplifier. The control center is especially convenient if you have speaker sets in different rooms and want to turn them on and off independently. You can enjoy the convenience and flexibility of listening to multiple speaker pairs simultaneously.

The control center lets you use one to four (PSLSW4) or six (PSLSW6) sets of speakers at a time, and is designed to operate with a stereo receiver/amplifier that has a maximum of 100 watts per channel, and with speaker systems that have a minimum impedance of 8 ohms (see **"Impedance Chart"** on page 6)

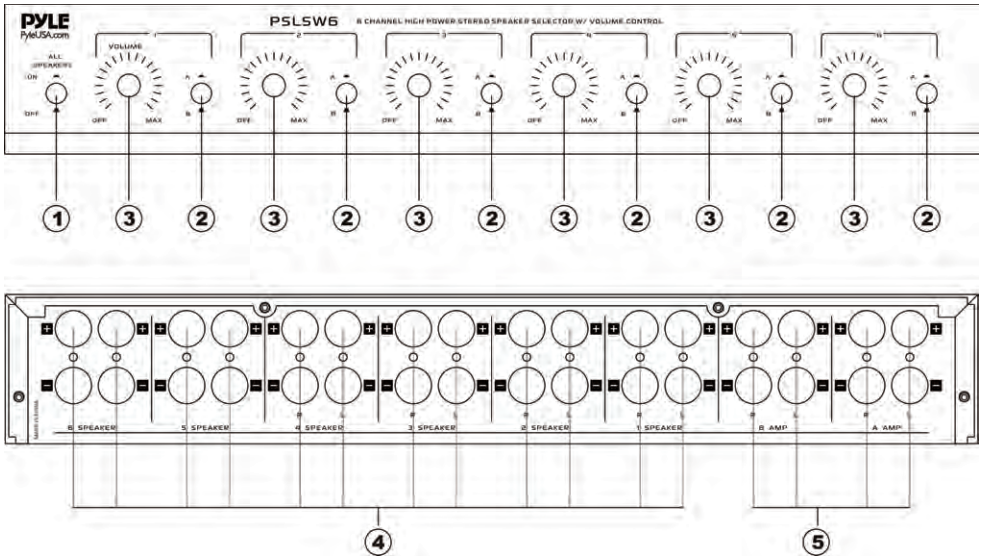
### PREPARATIONS

- Use the PYLE Speaker Selectors only with amplifiers rated at 100 watts per channel or less.
- Your PYLE Speaker Selector is designed to accept any size cable up to 14 gauge non-terminated speaker wire. If you're using non-terminated speaker wire, do not use any speaker wire that is larger than 14 gauge. The lower the gauge number, the larger the cable (e. g: 12 gauge is larger in actual physical size than 14 gauge).
- Do not hook the outputs of one selector into the inputs of another speaker selector together.
- Before you connect the AC power source, make sure you set ALL speakers ON/OFF to OFF.
- Left and right "commons" are isolated to work with all types of amplifiers.
- Auto transformer impedance protection.

### PSLSW4 Front and Back Panels



## PSLSW6 Front and Back Panels



### OPERATION

#### 1. Speakers ON/OFF Button

Press button to turn **ON** all speaker pairs. Press again button out to turn off.

#### 2. Amplifier A/B Selector Button

Press button to select amplifier A and B

#### 3. Volume Controls

Turn the control knob clockwise to increase the volume and counter-clockwise to decrease or off.

#### 4. Speaker Connections

The control center divides the power from your receiver/amplifier differently to its speaker terminals. (This is especially noticeable when you connect only one pair of speakers. If you connect more than one pair of speakers, see "Impedance Chart" on page 6 to selector the best terminals to connect. ) For the best performance, make the connections based on how frequently you use each set of speakers.

#### Cautions: To avoid damaging your speakers or receiver/amplifier:

- Be sure your receiver/amplifier's power is turned off before you make the connections.
- Never let the speaker wire's bare ends touch each other or adjacent terminals on the control center.
- Do not connect more than one pair of speaker to each set of terminals.

## 5. Amplifier Connections

Connect the speaker output of your receiver or amplifier (100 watts max. ).  
If you are using a second amplifier, connect it to the B amp terminal

### Maximum Amplifier input

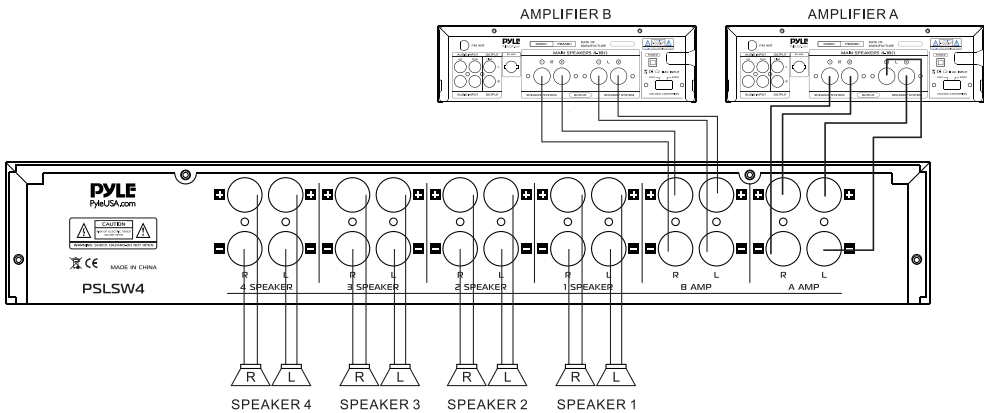
- 100W RMS
- 150W AVG

### Maximum Output per Speaker

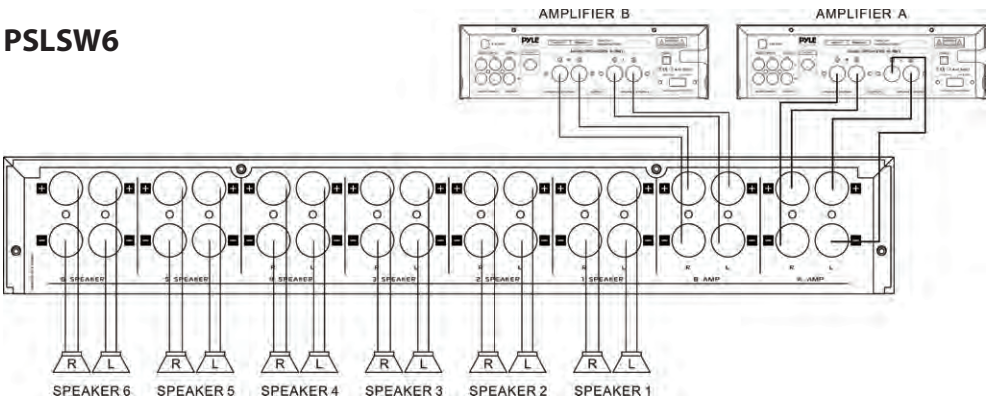
- 18W RMS
- 100W PEAK
- 50W AVG
- 4 or 16 OHM LOAD

Insert the speakers' positive (+) wires in the positive terminals, and negative (-) wires into the negative terminals, according to the respective L (left) and R (right) terminals.

## PSLSW4



## PSLSW6



Insert your receiver / amplifier's positive (+) wires into the positive terminals, and negative (-) wires in the negative terminals.

#### NOTES:

- If your receiver / amplifier has more than one set of speaker Terminal (A and B), connect only one or the other to the Control center.
- For the best results, we recommend 14-gauge, two conductor speaker wire (not supplied) for most connections. If you plan to locate the speakers further than 80 feet from the control center, use a heavier gauge of wire.

### IMPEDANCE CHART

Impedance is a measurement of the load placed on your receiver/amplifier by the speakers. The load placed on your receiver/amplifier from the control center will vary depending on how many pairs of speakers you turn on at one time, and on which speakers you turn on. The chart below shows the impedance for all possible combinations of 8-ohm speakers.

#### PSLSW4

Speaker Sets On	Impedance ( $\Omega$ )
A, B, C or D	8
A+B, A+C, A+D B+C, B+D, C+D	4
A+B+C, A+B+D A+C+D, B+C+D	3.1
A+B+C+D	2.4

#### PSLSW6

Speaker Sets On	Impedance ( $\Omega$ )
A, B, C, D, E or F	8
A+B, A+C, A+D A+E, A+F, B+C B+D, B+E, B+F C+D, C+E, C+F, E+F	4

Speaker Sets On	Impedance ( $\Omega$ )
A+B+C, A+B+D, A+B+E A+B+F, A+C+D, A+C+E A+C+F, A+D+E, A+D+F A+E+F, B+C+D, B+C+E B+C+F, B+D+E, B+D+F C+D+E, C+D+F, D+E+F	3.1
A+B+C+D, A+B+C+E A+B+C+F, A+C+D+E A+C+D+F, A+D+E+F B+C+D+E, B+C+D+F C+D+E+F	2.4
A+B+C+D+F	1.7

## PSLSW4 - PSLSW6

### Multi-Zone Speaker Selector

4 Channel (PSLSW4) 6 Channel (PSLSW6)

Audio Speaker Receiver System

#### Features:

- Convenient Audio Control for Up to 4 Pairs of Speakers (PSLSW4) or 6 Pairs of Speakers (PSLSW6)
- Home Theater Stereo Amplifier System Support
- Independent Audio Source Channel Volume Controls
- Input/Output: Screw Type Connector Terminals
- Compact Desktop / Tabletop Receiver Design
- Front Panel Button Control Center
- Master Power Switch
- Built-in Electronic Overload Protection Circuitry

## What's in the Box:

- Speaker Selector

## Technical Specs:

- Power Handling: 100 Watt MAX Per Audio/Speaker Channel
- Speaker Selector Type: 4-Channel
- Speaker Cable Wire Support: Up to 14-Gauge (14 AWG)
- Minimum Impedance: <8 Ohm
- Frequency Response: 20Hz-20kHz
- Dimensions (L x W x D): 16.9" x 6.3" x 3.0" -inches
- Sold as: 1
- PSLSW4 Weight: 9.78 lbs.
- PSLSW6 Weight: 9.55 lbs.

### Questions? Issues?

We are here to help!

Phone: (1) 718-535-1800

Email: [support@pyleusa.com](mailto:support@pyleusa.com)



**WARNING:**

This product can expose you to a chemical or group of chemicals, which may include "**Nickel Carbonate**" which is known in the state of California to cause cancer, birth defects, or other reproductive harm. For more info, go to <https://www.p65warnings.ca.gov/>.

# PYLE

PyleUSA.com



**VISIT US ONLINE:**

*Have a question?*

*Need service or repair?*

*Want to leave a comment?*

[PyleUSA.com/ContactUs](http://PyleUSA.com/ContactUs)

PYLE