

SereneLife



PSPR170

Cordless Lithium Power Pruner

Pruning Shear with 7.2V Lithium-ion Battery Powered
Garden Electric Pole Pruner

USER MANUAL

Fig. 1a

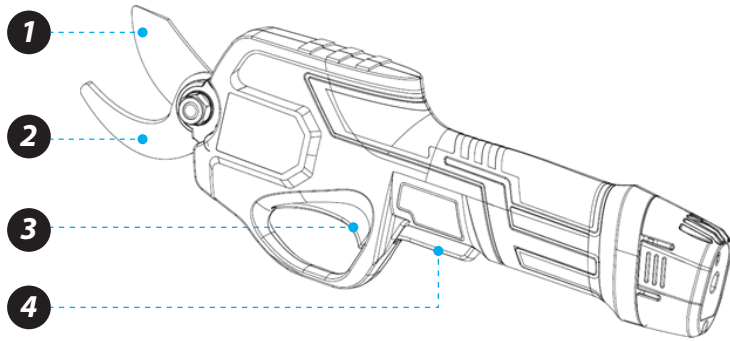


Fig.1b

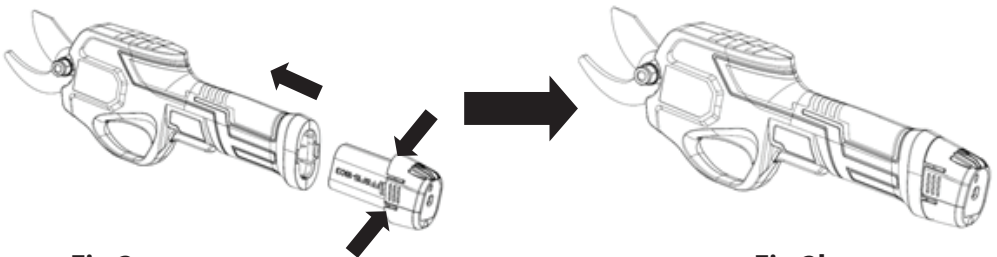
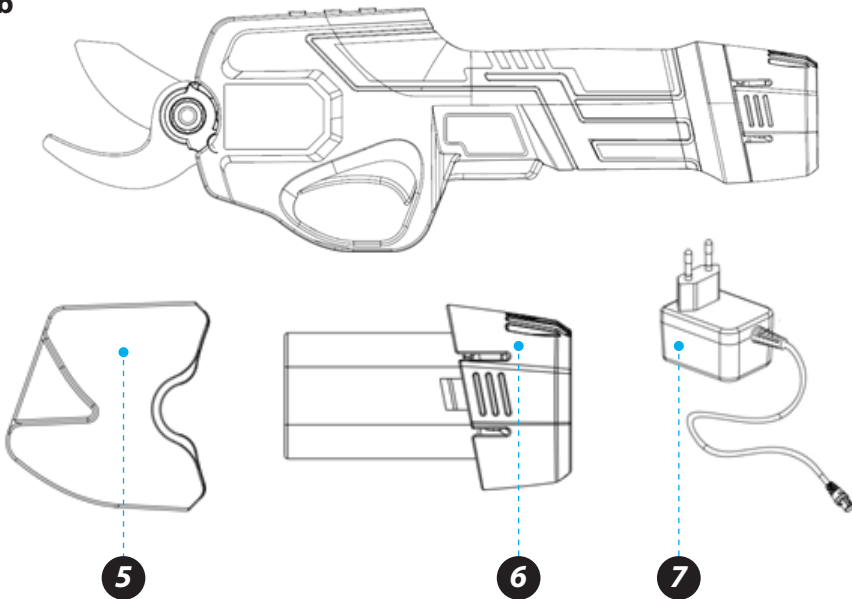


Fig.2a

Fig.2b



Fig. 3

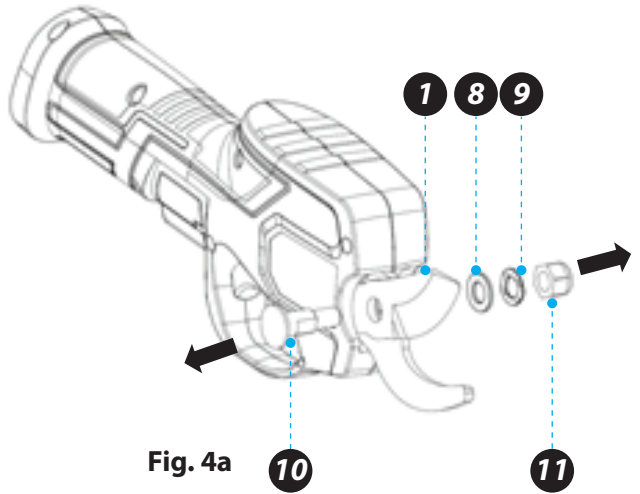


Fig. 4a

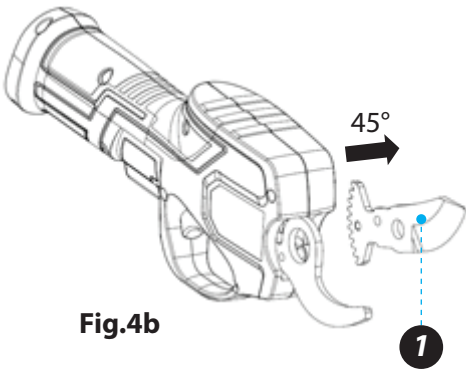


Fig.4b

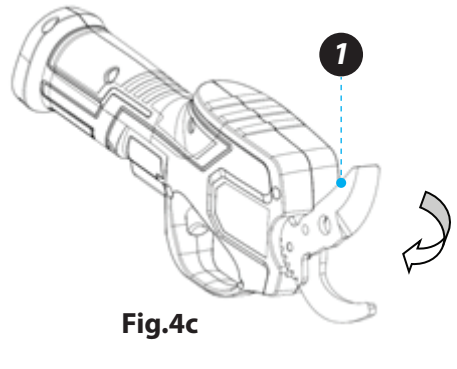


Fig.4c

Fig.5



1. Safety Regulations

General Power Tool Safety Warnings

⚠ WARNING: Read all safety warnings and instructions. Failure to follow the warnings and instructions may result in electric shock, fire and/or serious injury. Save all warnings and instructions for future reference. The term “**power tool**” in the warnings refer to your electric (corded) power tool or battery-operated (cordless) power tool.

Explanation of the warning signs on the equipment (see Fig. 5)

1: Warning!

2: **WARNING** – To reduce the risk of injury, user must read instruction manual!

3: Wear eye and ear and head protection!

4: Wear protective gloves!

5: Wear safety footwear!

6: Do not expose to rain!

7: Keep bystanders away!

1. Work area safety

- a. Keep work area clean and well lit. Cluttered or dark areas invite accidents.
- b. Do not operate power tools in explosive atmospheres, such as in the presence of flammable liquids, gases or dust. Power tools create sparks which may ignite the dust or fumes.
- c. Keep children and bystanders away while operating a power tool. Distractions can cause you to lose control.

2. Electrical Safety

- a. Power tool plugs must match the outlet. Never modify the plug in any way. Do not use any adapter plugs with earthed (grounded) power tools. Unmodified plugs and matching outlets will reduce risk of electric shock.
- b. Avoid body contact with earthed or grounded surfaces such as pipes, radiators, ranges and refrigerators. There is an increased risk of electric shock if your body is earthed or grounded.
- c. Do not expose power tools to rain or wet conditions. Water entering a power tool will increase the risk of electric shock.
- d. Do not abuse the cord. Never use the cord for carrying, pulling or unplugging the power tool. Keep cord away from heat, oil, sharp edges or moving parts. Damaged or entangled cords increase the risk of electric shock.
- e. When operating a power tool outdoors, use an extension cord suitable for outdoor use. Use of a cord suitable for outdoor use reduces the risk of electric shock.

- f. If operating a power tool in a damp location is unavoidable, use a residual current device (RCD) protected supply. Use of an RCD reduces the risk of electric shock.

3. Personal Safety

- a. Stay alert, watch what you are doing and use common sense when operating a power tool. Do not use a power tool while you are tired or under the influence of drugs, alcohol or medication. A moment of inattention while operating power tools may result in serious personal injury.
- b. Use personal protective equipment. Always wear eye protection. Protective equipment such as dust mask, non-skid safety shoes, hard hat, or hearing protection used for appropriate conditions will reduce personal injuries.
- c. Prevent unintentional starting. Ensure the switch is in the off-position before connecting to power source and/or battery pack, picking up or carrying the tool. Carrying power tools with your finger on the switch or energising power tools that have the switch on invites accidents.
- d. Remove any adjusting key or wrench before turning the power tool on. A wrench or a key left attached to a rotating part of the power tool may result in personal injury.
- e. Do not overreach. Keep proper footing and balance at all times. This enables better control of the power tool in unexpected situations.
- f. Dress properly. Do not wear loose clothing or jewellery. Keep your hair, clothing and gloves away from moving parts. Loose clothes, jewellery or long hair can be caught in moving parts.
- g. If devices are provided for the connection of dust extraction and collection facilities, ensure these are connected and properly used. Use of dust collection can reduce dust-related hazards.

4. Power tool use and care

- a. Do not force the power tool. Use the correct power tool for your application. The correct power tool will do the job better and safer at the rate for which it was designed.
- b. Do not use the power tool if the switch does not turn it on and off. Any power tool that can not be controlled with the switch is dangerous and must be repaired.
- c. Disconnect the plug from the power source and/or the battery pack from the power tool before making any adjustments, changing accessories, or storing power tools. Such preventive safety measures reduce the risk of starting the power tool accidentally.

- d.** Store idle power tools out of the reach of children and do not allow persons unfamiliar with the power tool or these instructions to operate the power tool. Power tools are dangerous in the hands of untrained users.
- e.** Maintain power tools. Check for misalignment or binding of moving parts, breakage of parts and any other condition that may affect the power tool's operation. If damaged, have the power tool repaired before use. Many accidents are caused by poorly maintained power tools.
- f.** Keep cutting tools sharp and clean. Properly maintained cutting tools with sharp cutting edges are less likely to bind and are easier to control.
- g.** Use the power tool, accessories and tool bits etc. in accordance with these instruction, taking into account the working conditions and the work to be performed. Use of the power tool for operations different from those intended could result in a hazardous situation.
- h.** Store idle Appliances Indoors - When not in use, appliances should be stored indoors in dry, and high or locked-up place - out of reach of children.

5. Battery tool use and care

- a.** Replace only with the charger specified by the manufacturer. A charger that is suitable for one type of battery pack may create a risk of fire when used with another battery pack.
- b.** Use power tools only with specifically designated battery packs. Use of any other battery packs may create a risk of injury and fire.
- c.** When battery pack is not in use, keep it away from other metal objects, like paper clips, coins, keys, nails, screws or other small metal objects, that can make a connection from one terminal to another. Shorting the battery terminals together may cause burns or a fire.
- d.** Under abusive conditions, liquid may be ejected from the battery; avoid contact. If contact accidentally occurs, flush with water. If liquid contacts eyes, additionally seek medical help. Liquid ejected from the battery may cause irritation or burns.
- e.** Do not charge appliance in rain, or in wet locations.
- f.** Do not use battery-operated appliance in rain.
- g.** Use only the authorized battery.
- h.** Do not dispose of the battery in a fire. The cell may explode. Check with local codes for possible special disposal instructions.
- i.** Do not open or mutilate the battery. Released electrolyte is corrosive and may cause damage to the eyes or skin. It may be toxic if swallowed.
- j.** Exercise care in handling batteries in order not to short the battery with conducting materials such as rings, bracelets, and keys. The battery or conductor may overheat and cause burns.

6. Service

- a. Have your power tool serviced by a qualified repair person using only identical replacement parts. This will ensure that the safety of the power tool is maintained.

Cordless Garden Pruners Safety warnings

- This appliance is not intended for use by persons (including children) with reduced physical, sensory or mental capabilities, or lack of experience and knowledge, unless they have been given supervision or instruction concerning use of the appliance by a person responsible for their safety. Children should be supervised to ensure that they do not play with the appliance.
- Minors should never be allowed to operate the tool; it should never be left unattended and when not in use should be stored in a locked place out of the reach of children.
- Don't use the machine or perform battery charging operations in the rain.
- Don't leave the machine in rain or wet locations.
- Keep bystanders well away from your work area.
- Be careful not to catch foreign matter between the blades. If the blades are jammed with foreign matter, immediately switch off the machine. Then remove the foreign matter from the blades.
- Take care, avoid cutting electrical wires that may be hidden.
- Keep your free hand away from the cutting area. Never touch the blades. They are very sharp and you may cut yourself.
- Be vigilant when operating to ensure that the fingers on the hand used to hold or move twigs to be pruned are not exposed to the cutting blade.
- Don't force the machine to make it cut. You could slip and injure yourself or cut something else unintentionally.
- Always check the blades carefully before operation.
- Handle the blades with extreme care to prevent cuts or injury from the blades.
- Remove the battery after each use and before attempting to perform inspection or maintenance.
- Always wear protective gloves when using, adjusting or cleaning the machine.
- Only use the machine for it's intended use (see "Intended Use").

Information about the battery

1. The battery pack supplied with your cordless tool is not charged. The battery pack has to be charged before you use the tool for the first time.
2. For optimum battery performance avoid low discharge cycles. Charge the battery pack frequently.
3. Store the battery pack in a cool place, ideally at 59°F (15°C) and charged to at least 40%.
4. Lithium-ion batteries are subject to a natural ageing process. The battery pack must be replaced at the latest when its capacity falls to just 80% of its capacity when new. Weakened cells in an aged battery pack are no longer capable of meeting the high power requirements and therefore pose a safety risk.
5. Do not throw battery packs into an open fire. There is a risk of explosion!
6. Do not ignite the battery pack or expose it to fire.
7. Do not exhaustively discharge batteries. Exhaustive discharge will damage the battery cells. The most common cause of exhaustive discharge is lengthy storage or non-use of partly discharged batteries. Stop working as soon as the performance of the battery falls noticeably or the electronic protection system triggers. Place the battery pack in storage only after it has been fully charged.
8. Protect batteries and the tool from overloads. Overloads will quickly result in overheating and cell damage inside the battery housing without this overheating actually being apparent externally.
9. Avoid damage and shocks. Replace batteries which have been dropped from a height of more than one meter or which have been exposed to violent shocks without delay, even if the housing of the battery pack appears to be undamaged. The battery cells inside the battery may have suffered serious damage. In this respect, please also read the waste disposal information.
10. If the battery pack suffers overloading and overheating, the integrated protective cut-off will switch off the equipment for safety reasons.

Important: Do not press the ON/OFF switch any more if the protective cut-off has actuated. This may damage the battery pack.

11. Use only original battery packs. The use of other batteries may result in injuries, explosion and a fire risk.

Information on chargers and the charging process

1. Please check the data marked on the rating plate of the battery charger. Be sure to connect the battery charger to a power supply with the voltage marked on the rating plate. Never connect it to a different mains voltage.
2. Protect the battery charger and its cable from damage and sharp edges. Have damaged cables repaired without delay by a qualified electrician.
3. Keep the battery charger, batteries and the cordless tool out of children's reach.
4. Do not use damaged battery chargers.
5. Do not use the supplied battery charger to charge other cordless tools.
6. In heavy use the battery pack will become warm. Allow the battery pack to cool to room temperature before commencing with the charging.
7. Do not over-charge batteries. Do not exceed the maximum charging times. These charging times only apply to discharged batteries. Frequent insertion of a charged or partly charged battery pack will result in over-charging and cell damage. Do not leave batteries in the charger for days on end.
8. Never use or charge batteries if you suspect that the last time they were charged was more than 12 months previously. There is a high probability that the battery pack has already suffered dangerous damage (exhaustive discharge).
9. Charging batteries at a temperature below 50°F (10°C) will cause chemical damage to the cell and may cause a fire.
10. Do not use batteries which have heated during the charging process, as the battery cells may have suffered dangerous damage.
11. Do not use batteries which have suffered curvature or deformation during the charging process or which show other non-typical symptoms (gassing, hissing, cracking,...)
12. Never fully discharge the battery pack (recommended depth of discharge max. 80%) A complete discharge of the battery pack will lead to premature ageing of the battery cells.
13. Never charge the batteries unsupervised.

2. Layout and items supplied

2.1 Layout (Fig. 1a/1b/4a)

- | | |
|--------------------|--------------------------|
| 1. Blade – moving | 7. Battery charger |
| 2. Blade – fixed | 8. the blade washer |
| 3. ON/OFF switch | 9. the blade wave washer |
| 4. Safety lock-off | 10. the blade screw |
| 5. Blade guard | 11. the blade nut |
| 6. Battery | |

2.2 Items supplied

- Open the packaging and take out the equipment with care.
- Remove the packaging material and any packaging and/or transportation braces (if available).
- Check to see if all items are supplied.
- Inspect the equipment and accessories for transport damage.
- If possible, please keep the packaging until the end of the guarantee period.

Important!

The equipment and packaging material are not toys. Do not let children play with plastic bags, foils or small parts. There is a danger of swallowing or suffocating!

- Original operating instructions
- Safety instructions

3. Intended Use

This machine is intended for domestic use in pruning branches and plants with a thickness up to 15 mm (hardwood) and 20 mm (softwood).

NOTICE: DO NOT CUT OTHER MATERIAL SUCH AS WIRE, STEEL WIRE, STONE, PLASTIC, AND SO ON.

4. Technical Data

- Cutting capacity: 18 mm (hardwood)
..... 25mm (softwood)
- Battery pack: Li-Ion / 7.2 V d. c. / 2.0 Ah
- Charging time: 3~5h
- Protection class: III
- Emission sound pressure level: 68 dB
- K uncertainty 3 dB
- LpA sound pressure level: 56 dB
- LWA sound power level: 76 dB
- K uncertainty 3 dB
(according to EN ISO 10517:2009+A1:2013)
- Guaranteed sound power level: 85 dB(A)
- K uncertainty 3 dB
- Vibration ahV: 2.5 m/s²
- K uncertainty 1.5m/s²
- Weight: 0.9 kg

Battery charger

Mains voltage 120-240 VAC ~ 50-60 Hz

Output

Rated voltage 9V DC

Rated current: 400 mA

- The vibration emission level has been measured in accordance with a set of standardized criteria and can be used to compare one power tool with another.
- The specified emission level can also be used to make an initial assessment of the exposure to vibrations.
- The vibration emission level may vary from the level specified during actual use, depending on the way in which the power tool is used.
- Try to keep the impact from vibrations as low as possible. Exposure to vibrations can be reduced by wearing gloves when using the tool, for example, and by limiting the amount of operating time. This includes the full cycle of operation (e.g. times when the power tool is switched off and times when the tool is switched on but no working load is applied).

5. Before starting the equipment

5.1 Installing the battery (Fig. 2a/2b)

Press the both side of the battery pack as shown in Fig. 2a and push the battery pack into the mount provided. When the battery pack is positioned as in Fig. 2b, make sure that the battery pack latch in place! To remove the battery pack, proceed in reverse order.

5.2 Charging the battery (Fig.3)

1. Take the battery pack out of the equipment. Do this by pressing the both side of the battery pack.
2. Check that your mains voltage is the same as that marked on the charger rating plate. Connect the power plug of the charging unit to a socket outlet, then insert the charging unit to battery pack. The red LED was always light.
3. The charging unit will end the charging automatically when the battery is fully charged (after approx. 3~5 hours). The green LED then lights up and the red LED light out.

The battery pack can become a little warm during the charging. This is normal. If the battery pack fails to charge, the green and red LED in the battery lights up. Check:

- whether there is voltage at the socket outlet
- whether there is good contact at the charging contacts

If the battery pack still fails to charge, send

- the Battery charger
- and the battery pack to our customer service center.

To ensure that the battery pack provides long service, you should take care to recharge it promptly. You must recharge the battery pack when you notice that the power of the cordless pruner drops. Never fully discharge the battery pack. This will cause it to develop a defect.

6. Operation

⚠ WARNING:

Before any work on the machine (e. g. maintenance, changing the tool, etc.) as well as during its transport and storage, Safety lock-off in the off position.

There is danger of injury when the On/Off switch is unintentionally actuated. To close the blade 1 (Fig. 1) activate the safety lock-off (Fig. 1/Item 4) by pushing it forward and pressing the ON/OFF switch (Fig. 1/Item 3) at the same time. To open the blade 1, let go of the ON/OFF switch (Fig. 1/Item 3).

Never operate the machine in an awkward posture. This may cause serious injury. **Keep your free hand away from the cutting area. Never touch the blades.** They are very sharp and you may cut yourself. Always wear protective gloves while pruning.

6.1 Changing the blade (Fig.4a-4c)

Warning! Remove battery from pruner before Changing the blade.

Always wear protective gloves when Changing the blade.

Never attempt to operate the machine without the blade, spacer or screw correctly secured to prevent damage to the machine.

To remove the blade 1, Use a Hexagon wrench socket key (not provided) to remove the blade nut 11 which secures the blade. Remove the blade wave washer 9 and the washer 8 then remove the blade screw 10 (Fig.4a).

Remove the blade 1 along 45° direction (Fig.4b).

To insert the blade 1, **Be careful not to allow any foreign matter to become attached to the blade gear and do not damage it.** First Insert part of the tooth of the blade 1 into the case as shown(Fig.4c), then rotate the blade 1 until the hole of the blade 1 is aligned to the hole of the aluminum gearbox. **Incorrect location of the blade will damage the machine.** Refit the blade screw then refit the washer 8 and the wave washer 9, at last tighten the blade nut 11. Do not over tighten.

7. Cleaning, maintenance and ordering of spare parts

Warning! Always wear protective gloves when using, adjusting or cleaning the machine.

7.1 Cleaning

- Keep all safety devices, air vents and the motor housing free of dirt and dust as far as possible. Wipe the equipment with a clean cloth or blow it with compressed air at low pressure.
- We recommend that you clean the device immediately each time you have finished using it.
- Clean the equipment regularly with a moist cloth and some soft soap. Do not use cleaning agents or solvents; these could attack the plastic parts of the equipment. Ensure that no water can seep into the device.
- A few drops of oil (e.g. sewing machine oil) will improve the cutting performance of the blades, but never apply any grease to the blades.

Important!

Never clean the tool under running water- and particularly never with high pressure -because of the potential danger to persons and property. Keep your cordless pruner in a dry and frost proof place. Choose a place that children are unable to enter.

7.2 Maintenance

- To achieve good results you should keep the blades sharp at all times. The tool should be thoroughly cleaned both before and after use.
- There are no parts inside the equipment which require additional maintenance.

7.3 Ordering replacement parts:

Please quote the following data when ordering replacement parts:

- Type of machine
- Article number of the machine
- Identification number of the machine

8. Disposal and recycling



The unit is supplied in packaging to prevent its being damaged in transit. This packaging is raw material and can therefore be reused or can be returned to the raw material system. The unit and its accessories are made of various types of material, such as metal and plastic. Defective components must be disposed of as special waste. Ask your dealer or your local council.

For EU countries only

Never place any electric power tools in your household refuse.

To comply with European Directive 2012/19/EC concerning old electric and electronic equipment and its implementation in national laws, old electric power tools have to be separated from other waste and disposed of in an environment-friendly fashion, e.g. by taking to a recycling depot.

Recycling alternative to the return request:

As an alternative to returning the equipment to the manufacturer, the owner of the electrical equipment must make sure that the equipment is properly disposed of if he no longer wants to keep the equipment. The old equipment can be returned to a suitable collection point that will dispose of the equipment in accordance with the national recycling and waste disposal regulations. This does not apply to any accessories or aids without electrical components supplied with the old equipment.

The reprinting or reproduction by any other means, in whole or in part, of documentation and papers accompanying products is permitted only with the express consent of the iSC GmbH.

Subject to technical changes

This consignment contains lithium-ion batteries.

In accordance with special provision 188 this consignment is not subject to the ADR regulations. Handle with care. Danger of ignition in case of damage to the consignment package. If the consignment package is damaged: Check and if necessary repackage.

Features:

- 7.2 Volt Lithium Battery
- 3/4" Standard Cut Capacity
- Safety Switch
- Changeable Battery Pack
- Solo Battery For Portability and Endurable Work
- Easy Cutting
- Ergonomic Handheld Design
- Ideal for Bushes, Roses, Woody Stems and Branches

What's in the Box:

- Cordless Lithium Pruner
- Battery Pack
- Charger

Technical Specs:

- Power Supply: 7.2V
- Battery Type: Lithium-ion Battery
- Battery Capacity: 2000mAH
- Standard Cut Capacity (Fresh Branch): 0.71" -inch
- Max Cutting Capacity at Full Charge (Fresh branch): 0.98" -inch
- Safety Switch: Yes
- Pack: Changeable Battery Pack
- Charge Time: 3-5 Hours
- Cuts Per Full Charge: 0.3" -inch branch: 800 cuts
0.4" -inch branch: 700 cuts
0.6" -inch branch: 300 cuts
0.7" -inch branch: 200 cuts
0.8" -inch branch: L 80 cuts
- Product Dimension: 13.31" x 1.78" x 4.14" -inches

SereneLife

Questions? Issues?

We are here to help!

Phone: (1) 718-535-1800

Email: support@pyleusa.com