

CENTER SPEAKER/SOUNDBAR BRACKET

QUICK INSTALLATION GUIDE



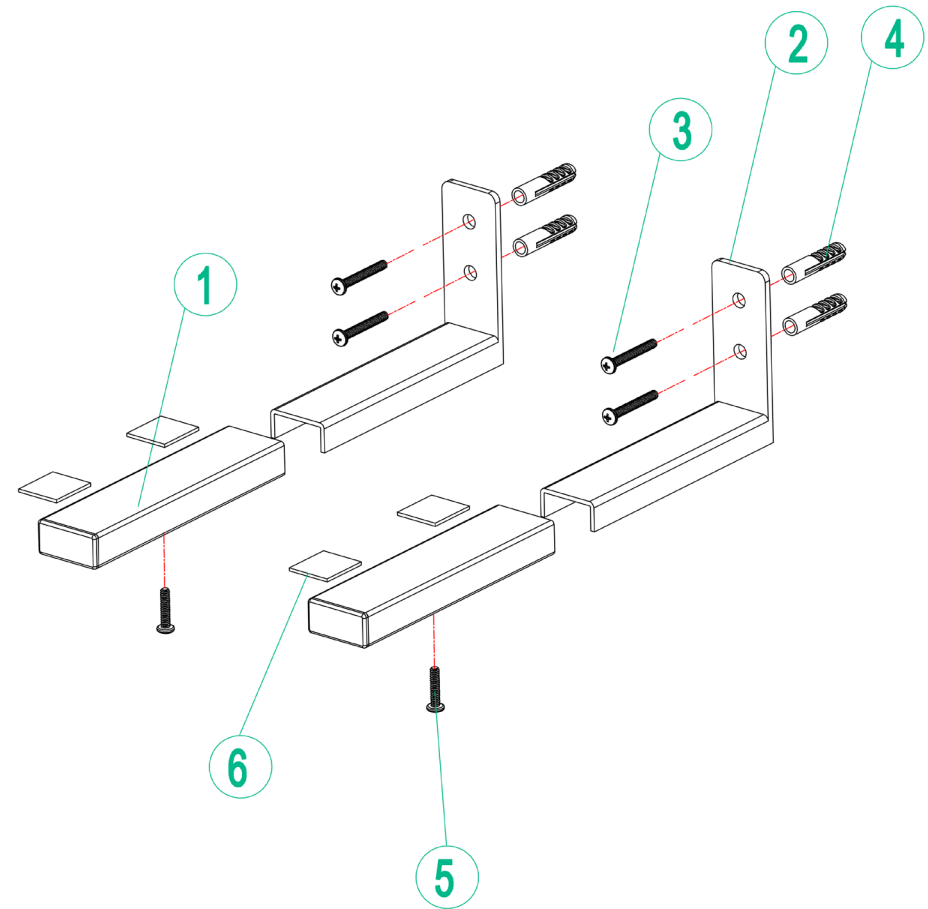
PSTNDW17

Thank you for choosing this center speaker bracket.

Please find all the parts described in the diagram at the top-right.

1. Choose the width and height you need for your speaker and mark the screw holes.
2. Install the parts as per the diagram at the top-right.
3. Tighten all the screws

For more information please contact local distributor



1. Rest Tube
2. L Mounting Holder
3. Screw For Mounting *L Mounting Holder* (2)
4. Plastic Concrete Screw
5. Depth Fix Screw
6. EVA Pad