

PYLE

PyleUSA.com



VISIT US ONLINE:
Have a question?
Need service or repair?
Want to leave a comment?
PyleUSA.com/ContactUs

PYLE

Questions? Issues?
We are here to help!
Phone: (1) 718-535-1800
Email: support@pyleusa.com

PYLE

PyleUSA.com



PSUFM1043BT

Wireless BT PA Loudspeaker Karaoke Entertainment System

Active Powered Speaker, Flashing DJ Party Lights,
MP3/USB/SD, FM Radio, Wireless Mic

USER GUIDE

We recommend that you read this manual carefully so that you can fully take advantage of the advanced and convenient functions of the PA Loudspeaker Karaoke Entertainment System. We also recommend that you keep this manual in a safe and handy place for future reference.

CAUTION

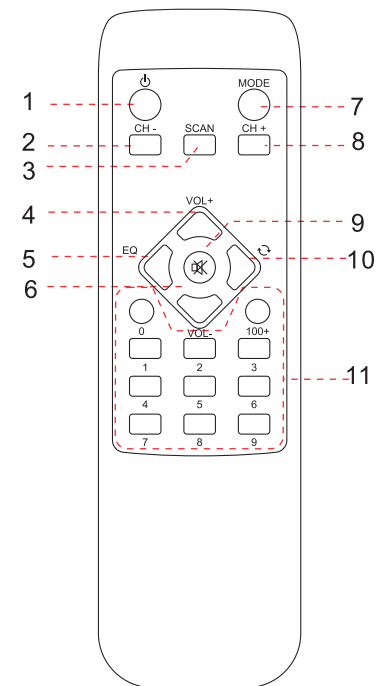
TO PREVENT THE RISK OF ELECTRIC SHOCK, DO NOT REMOVE COVER OR BACK. NO USER-SERVICEABLE PARTS INSIDE. REFER SERVICING TO QUALIFIED PERSONNEL.

SAFETY INSTRUCTION

1. Read this manual carefully before using. Retain for future reference.
2. All warnings on the speaker and in the operating instructions should be adhered to.
3. Do not use this apparatus near water.
4. Do not block any of the ventilation openings. Install in accordance with the manufacturers instructions. Do not install near any heat sources such as radiators, heat registers, stoves, or other apparatus (including amplifiers) that produce heat. Do not install the speaker in an airtight location.
5. Protect the power cord from being walked on or pinched particularly at plugs, convenience receptacles, and the point where they exit from the apparatus.
6. Switch OFF and unplug then use a soft cloth to clean the exterior of the unit if it becomes dirty. If necessary, use a damp cloth that has been wrung out well to wipe it.
7. Unplug this apparatus during lightning storms or when unused for long periods of time.
8. Keep foreign objects and liquid from entering the unit to avoid a short circuit, fire and electrical accidents.
9. Place the speaker in a dry location.
10. Refer all servicing to qualified service personnel. Servicing is required when the apparatus has been damaged in any way, such as power-supply cord or plug is damaged, liquid has been spilled or objects have fallen into the apparatus, the apparatus has been exposed to rain or moisture, does not operate normally, or has been dropped.

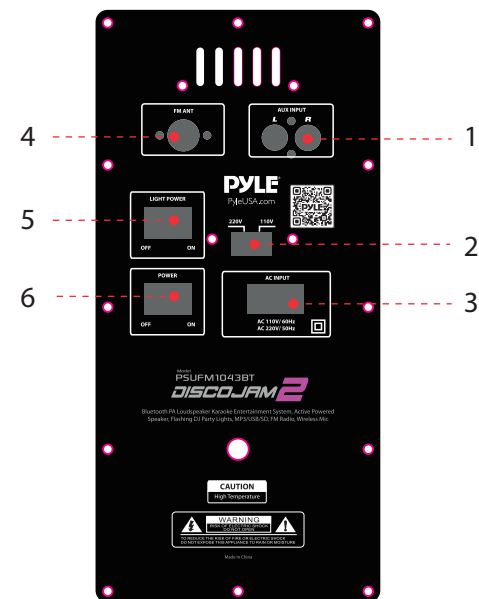
REMOTE CONTROL

1. Standby
2. MP3 last song/FM last frequency
3. MP3 pause, Play/FM scan frequency
4. Increase sound volume "+" of main channel
5. EQ mode adjustment
6. Decrease sound volume "-" of main channel
7. AUX/USB/SD/FM/BT Input selected
8. MP3 next song
9. Mute
10. Repeat
11. 0-9: through selected song



BACKBOARD FUNCTION

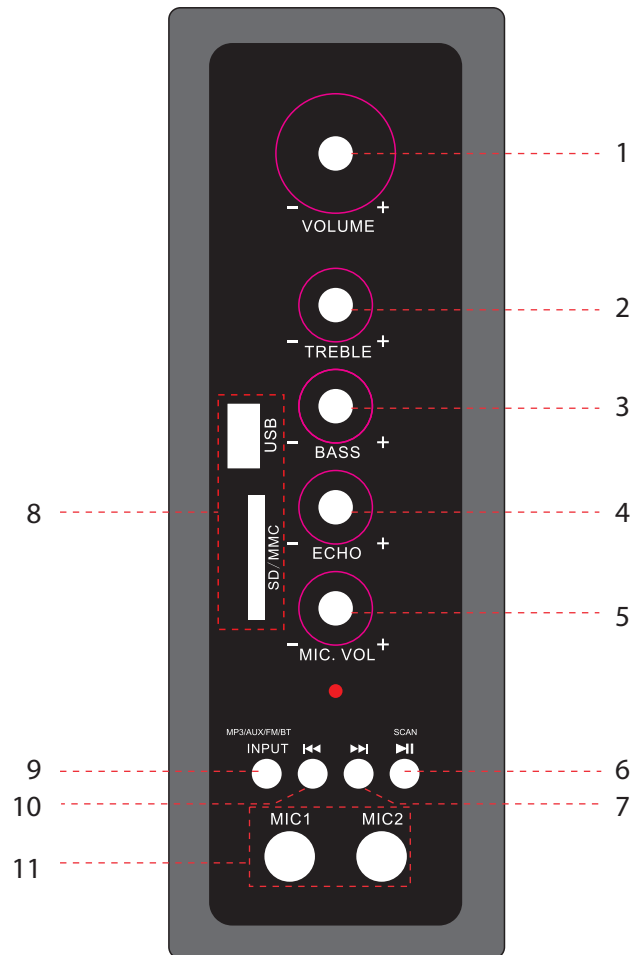
1. AUX input
2. 110V and 220V voltage switch
3. Electricity supply AC110V/60Hz, AC 220V/50Hz
4. FM antenna
5. LED power ON/OFF
6. Power ON/OFF



CONTROL PANEL

Front board Function:

1. Volume adjustment
2. Treble adjustment
3. Bass adjustment
4. MIC echo adjustment
5. MIC volume adjustment
6. MP3 pause or play
7. MP3 next song/FM next frequency/VOL+
8. USB/SD/MMC card connector
9. AUX/DVD/MP3/FM/BT input select
10. MP3 last song/FM last frequency/Volume-
11. MIC input jack

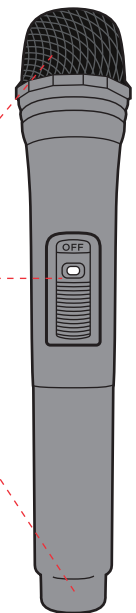


WIRELESS MICROPHONE OPERATION

1. Replace the battery when noise occurs during use, staccato, or distortion.
2. Turn off the power switch after use.
3. If the microphone is not to be used for a long period of time, remove the batteries to prevent damage or injury from possible battery leakage.
4. When you turned ON the power switch and the power indicator does not light, check the polarity of the battery installation.

WIRELESS MICROPHONE

- MIC
- ON/OFF
- BATTERY COVER



Wireless BT Streaming:

- Instantly Stream Music from Your Wireless BT Devices
- Works with All Your Favorite Wireless BT Devices (iPhone, Android, Smartphone, iPad, Tablet, PC, etc.)
- Bluetooth Version: 5.0
- Wireless BT Range: 50'+ Feet
- Wireless BT Network Name: 'Pyle Audio'

What's in the Box:

- Active Speaker Tower
- Wireless Microphone
- Power & Audio Connection Cables
- Detachable Rolling Wheels
- Remote Control



TROUBLESHOOTING

Try the troubleshooting steps below if you are having problems while using your speaker. If problems still exist, please look for a qualified technician or contact our company. To prevent electric shock or expand the scope of the malfunction, do not repair by yourself.

SYMPTOM	POSSIBLE PROBLEM	SOLUTION
No function light and No sound	<ol style="list-style-type: none"> 1. Plug is not well connected 2. Speaker power button is not turned on. 	<ol style="list-style-type: none"> 1. Insert the plug into electrical outlet. 2. Turn on the power button
Function light is turned on but no sound	<ol style="list-style-type: none"> 1. Cable misconnected 2. Speaker are not connected or misconnected 3. Audio signal is not transmitted to speaker 	<ol style="list-style-type: none"> 1. Turn off the power, check the input jack to ensure proper audio signal is connected to relevant input jack 2. Power off, then check and confirm the cable connection again. 3. Check all the speaker if there is audio signal output
Remote control does not work	<ol style="list-style-type: none"> 1. Before you press any function button, first select the correct source with the remote control instead of the main unit 2. Reduce the distance between the remote control and unit 3. Insert the battery with its polarities (+/-signs) aligned as indicated 4. Replace the battery 5. Aim the remote control directly at the sensor on the front of the unit. 	
<p>If the problem exists after checking related procedures above, please refer to the appointed service ... Do not attempt to open the cover, otherwise we assumes no responsibility</p>		

Features:

- All-in-One Karaoke Entertainment System
- High-Powered Active Speaker Tower
- Multi-Colored DJ Flashing LED Lights
- Bluetooth Wireless Music Streaming
- USB Flash & SD Memory Card Readers
- Digital Audio File Support
- Includes Wireless Handheld Microphone
- FM Radio with Auto Station Scan
- (2) 1/4" Microphone Inputs
- RCA (L/R) & Aux (3.5mm) Inputs
- Connect & Stream Audio from External Devices
- Convenient Carry Handles & Detachable Rolling Wheels
- Treble, Bass, Echo, Volume Controls
- DJ Party Lights ON/OFF Switch

Technical Specs:

- MAX Power Output: 2000 Watt
- Sound System: Dual 10" Woofers, Dual 3" Tweeters
- Frequency Response: 45Hz-20kHz
- Sensitivity (1w/1m): 92dB
- Impedance: 4 ohm
- Maximum SPL: 128dB
- Dispersion (@6dB): H90°X V50°
- Crossover: 3 KHZ
- Power Supply: 110/220V
- Microphone Battery Operated: Requires (2) x 'AA' Batteries, Not Included
- Maximum USB Flash / SD Memory Card Support: 32GB
- Dimensions: 16.1" x 15.1" x 42.0" -inches

