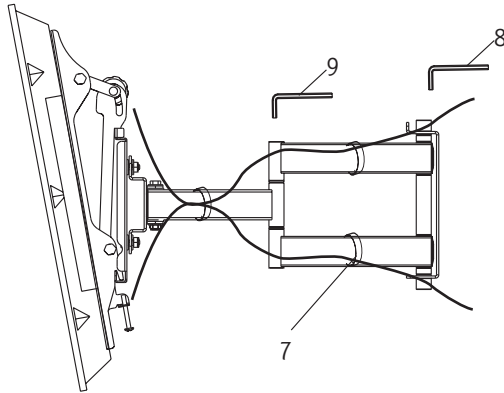


## Part 5-Adjusting display and using cord management

Route cords along articulating arms using cord management clips(7). Articulating arms can be adjusted to position display into desired location. Use wrench to tighten and loosen the tension screw. Do not overtighten and do not loosen to the point the screws come out.



Thank you for choosing our product

Pyle Audio  
1 600 63rd st , Brooklyn, NY, 11204  
(718)236-8000

### Warning

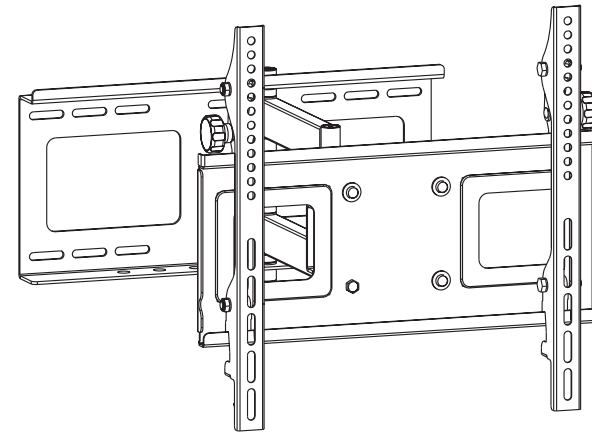
This product contains small items that could be a choking hazard if swallowed. Keep these items away from young children!

1. Make sure these instructions are read and completely understood before attempting installation. If you are unsure of any part of this installation, contact a professional installer for assistance.
2. The wall or mounting surface must be capable of supporting the combined weight of the mount and the display; otherwise the structure must be reinforced.
3. Safety gear and proper tools must be used. A minimum of two people are required for this installation. Failure to use safety gear can result in property damage, serious injury or death.



## INSTALLATION GUIDE

Item No.:PSW770



- TV size range: 23"~42"
- Maximum weight capacity: 35 kg /77lbs
- Adjustable angle: 0°~12°

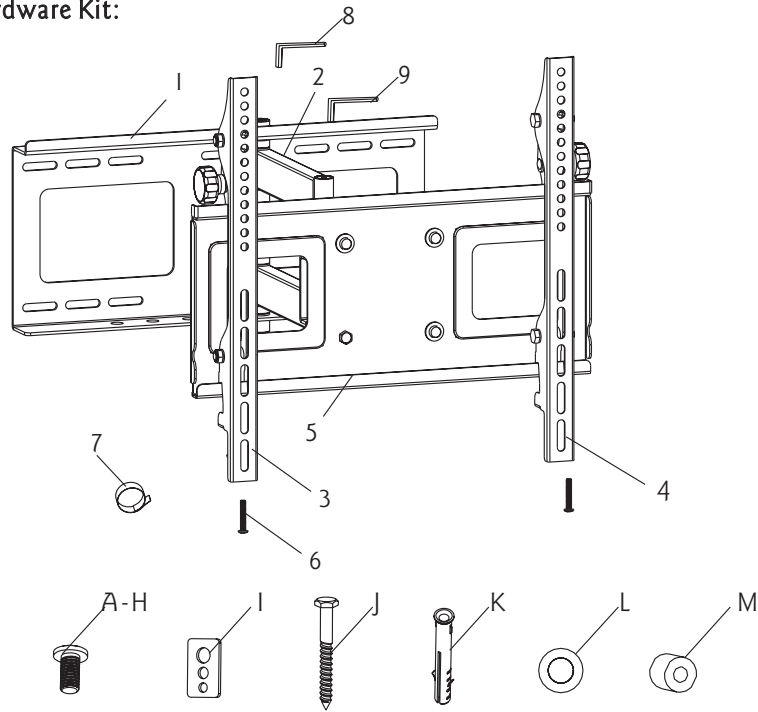
[www.pyleaudio.com](http://www.pyleaudio.com)

MADE IN CHINA

### CAUTION

This product was designed to be installed on wood stud walls and solid concrete walls. Before installing make sure the supporting surface will support the combined load of the equipment and hardware. Never exceed the Maximum Load Capacity. This product is intended for indoor use only. Use of this product outdoors could lead to product failure or personal injury.

**Hardware Kit:**



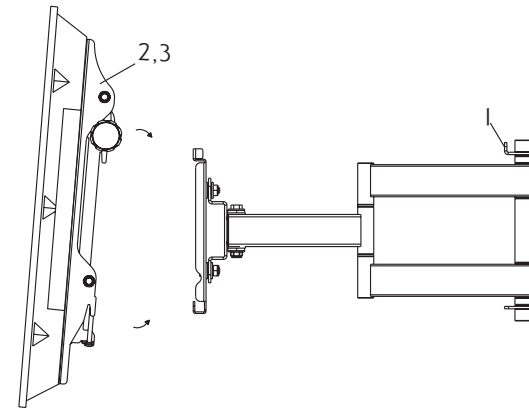
ID	Qty	Description
1	1	Wall plate
2	1	Cantilever Arm
3	1	Left Bracket
4	1	Right Bracket
5	1	TV plate
6	2	Safety bolt
7	3	Cord management wrap
8	1	6x6 Wrench
9	1	5x5 Wrench
A	4	M4×12mm bolt
B	4	M4×16mm bolt

ID	Qty	Description
C	4	M5×16mm bolt
D	4	M6×16mm bolt
E	4	M8×16mm bolt
F	4	M5×36mm bolt
G	4	M6×36mm bolt
H	4	M8×36mm bolt
I	4	Square washer
J	4	Long bolt
K	4	Wall anchor
L	4	Long bolt washer
M	4	Spacer

**Part 3- Hanging display**

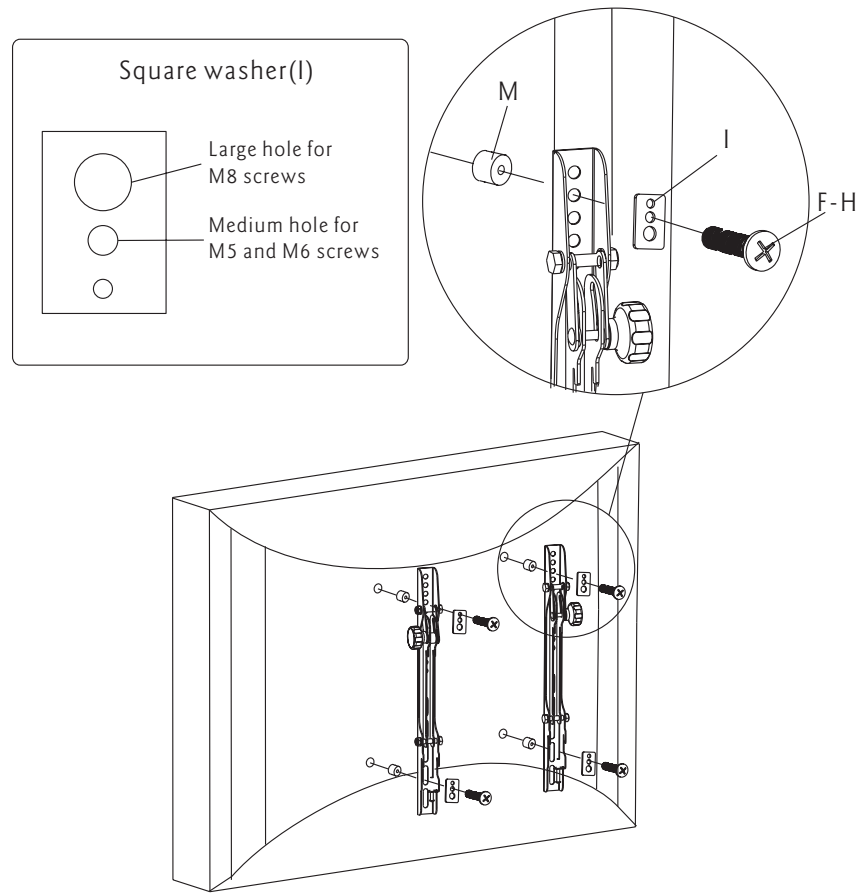
Firstly lift the bracket mounted display over the mount. And then hook the brackets over the top of the mount. Rotate the display let the bottom of the brackets hook over the bottom of mount. Then put safety bolts into the bottom of the brackets and lock it.

**Warning:** Some TV require two people to lift, as we are not responsible for any personal injury or product damage due to mishandling.



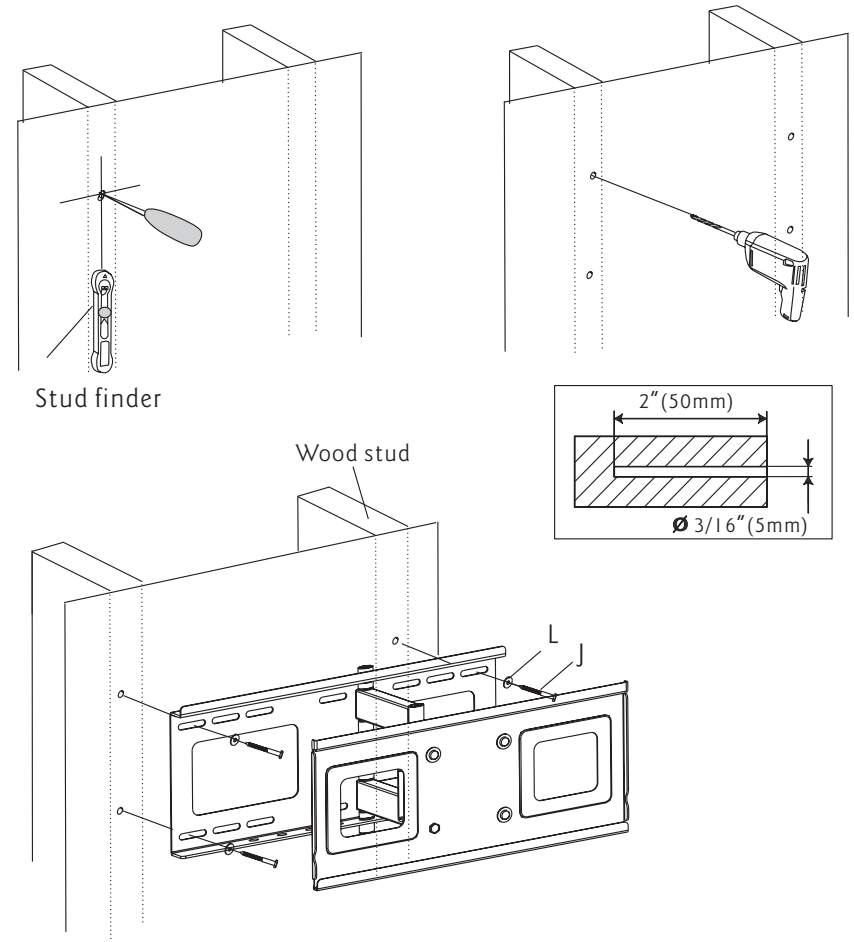
## Part 2b-Attaching brackets to screen with recessed back

Center brackets vertically on back of screen. Select the medium(F or G) or large(H) screws. Attach brackets to screen using four selected screws, four square washers(I) and four spacers(M) at the top and bottom of each bracket. Tighten screws firmly. Do not overtighten.



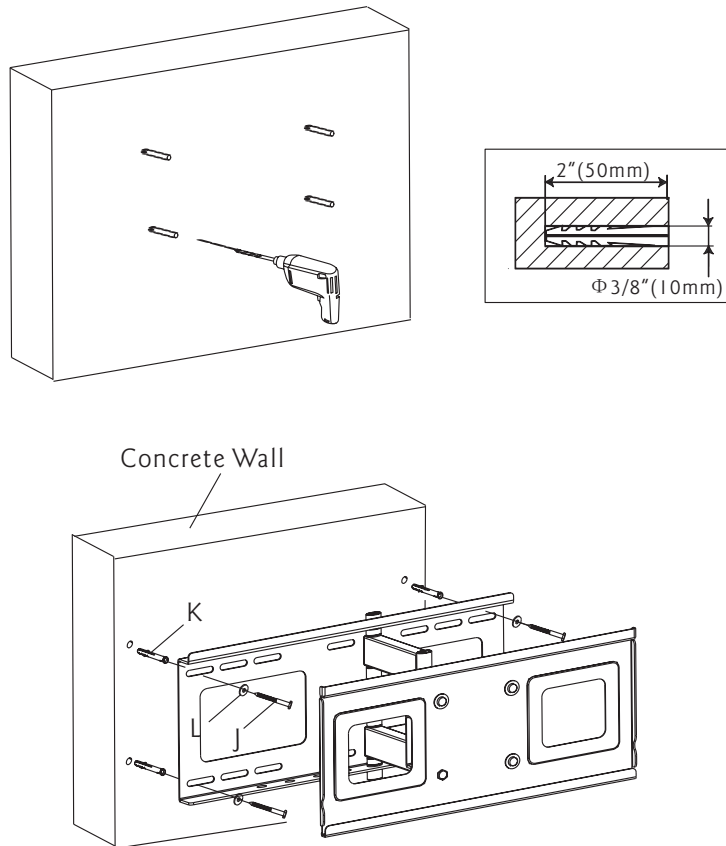
## Part 1a-Wood Stud Mounting

Use wall plate(I) as a template, make sure it is level, and mark four mounting holes along the center lines of the wood studs. Drill four 3/16" (5mm) dia. holes 2" (50mm) deep. Level wall plate(I) and attach to wall with four long bolts(J) and four washers(L). Tighten screws firmly. Do not overtighten.



## Part 1b-Concrete Wall Mounting

Level wall plate and use wall as a template to mark four holes. Drill four 3/8" (10mm) dia. holes 2" (50mm) deep. Insert four anchors(K) into holes and secure wall plate with four long bolts(J) and four washers(L). Tighten bolts firmly. Do not overtighten.



## Part 2a-Attaching Brackets To Screen With Flat Back

Center brackets vertically on back of screen. Select the small(A or B), medium(C or D) or large(E) screws. Attach brackets to screen using four selected screws and four square washers(I) at the top and bottom of each bracket. Tighten screws firmly. Do not overtighten.

