

# PYLE

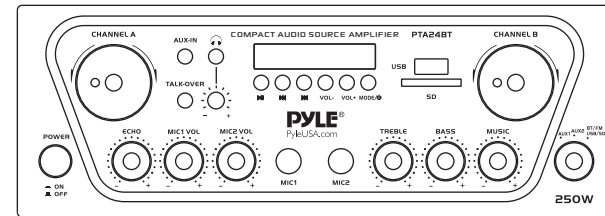
PyleUSA.com



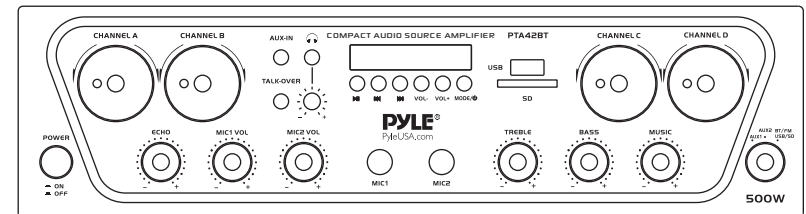
**VISIT US ONLINE:**  
*Have a question?*  
*Need service or repair?*  
*Want to leave a comment?*

[PyleUSA.com/ContactUs](http://PyleUSA.com/ContactUs)

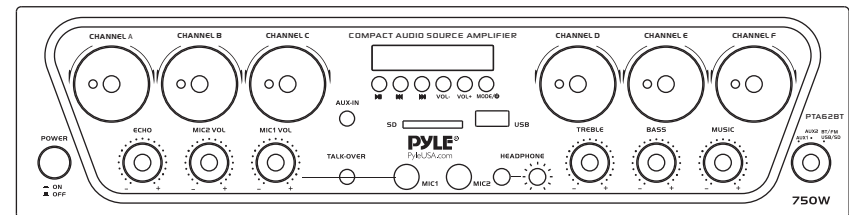
# PYLE



**PTA24BT - 250W**



**PTA42BT - 500W**



**PTA62BT - 750W**

## Compact Bluetooth Home Audio Amplifier Systems **USER MANUAL**

## FOREWORD

Your New Pyle Amplifier gives you the power and versatility you need in a professional sound system. The amplifier's wide frequency response makes it suitable for amplifying music or vocal program material. It can be used in meeting halls, house, restaurant, schools, stores, or for paging systems.

Please read this manual thoroughly before you attempt to set up and use the amplifier. It contains a range of installation suggestions as well as instructions to ensure safe usage.

Installed properly, you can expect years of trouble-free service from this product.

**WARNING:** To reduce the risk of fire or shock hazard, do not expose this product to rain or moisture.



**CAUTION**  
RISK OF ELECTRIC SHOCK  
DO NOT OPEN



**CAUTION:** To reduce the risk of electric shock, do not remove cover or back. No user-serviceable parts inside. Refer servicing to qualified personnel.



This symbol is intended to alert the user to the presence of uninsulated dangerous voltage within the product's enclosure, it may have sufficient magnitude to constitute a risk of electric shock to persons.

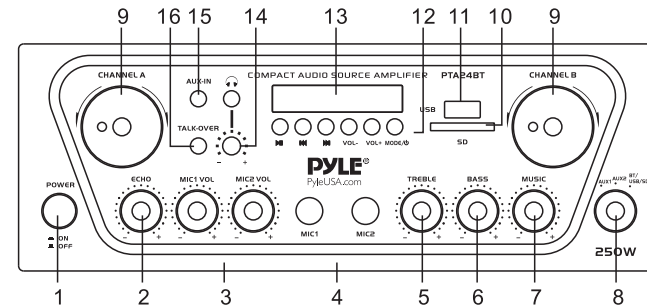


This symbol is intended to alert the user to the presence of important operating and maintenance (servicing) instructions in the literature accompanying the appliance.

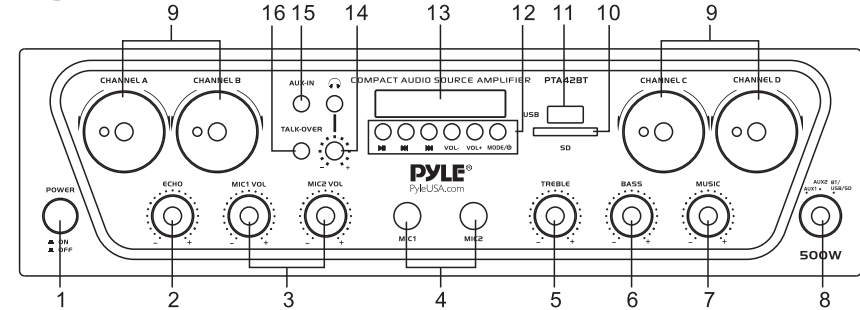
## FEATURES AND CONTROLS

### FRONT PANEL

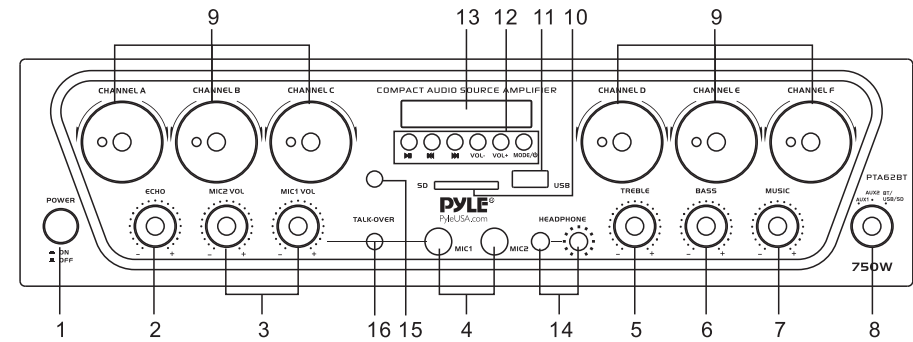
#### PTA24BT



#### PTA42BT

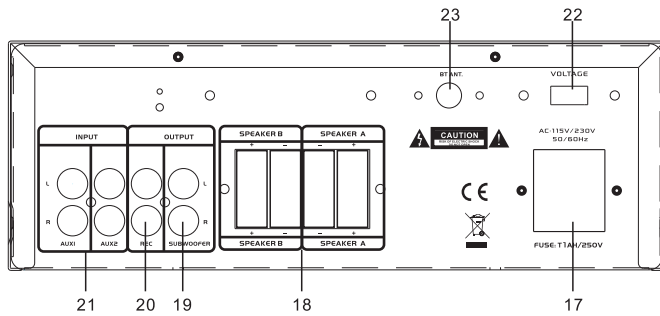


#### PTA62BT

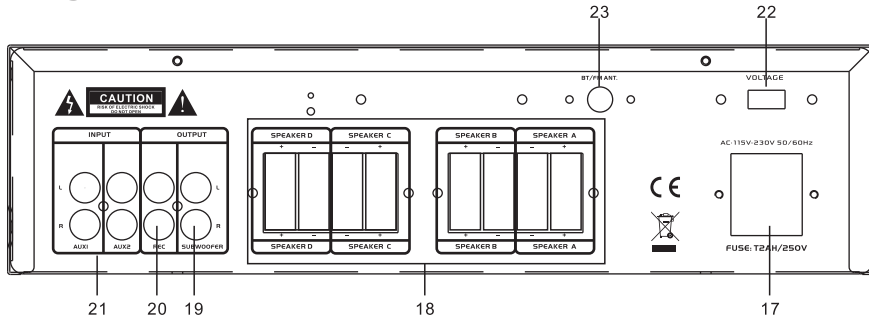


## BACK PANEL

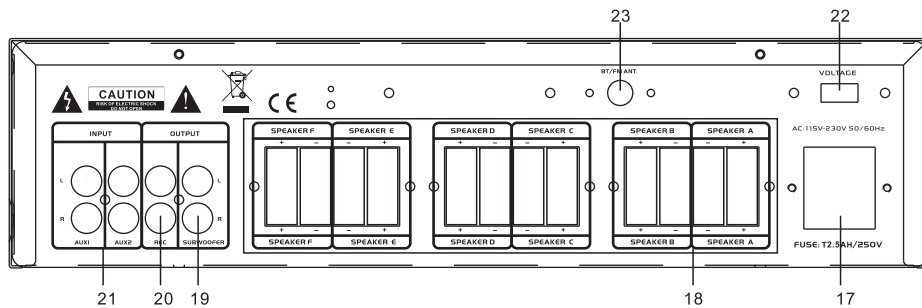
### PTA24BT



### PTA42BT



### PTA62BT



## 1. Main Power ON Switch

- Switch ON or OFF The amplifier by using this switch.

## 2. ECHO CONTROL

- Turn the knob to adjust the MIC echo level.

## 3. MIC 1 VOL & MIC 2 VOL

- Turn the knob clockwise to increase the MIC volume.

## 4. MIC 1 & MIC 2 Input Jack

- KARAOKE MIC connected to these jacks.

## 5/6. BASS AND TREBLE TONE CONTROL

- Lets you boost or attenuate bass and treble for the desired sound.

## 7. Master Volume

- Adjusts main audio system volume level.

## 8. Audio Source Switch

- Audio Source Switches between AUX1 input, AUX2 input, BT/FM/USB/SD

## 9. Independent Channel Volume Controls

- Adjusts audio volume levels for connected input(s).

## 10. SD/MMC Socket for playing SD/MMC cards

## 11. USB Charge Port & USB Reader Function

- USB port for smartphone charging and USB reader function.

## 12. Buttons for Bluetooth/MP3 (USB and SD) Function Control

- **MODE Button:** For audio selection like **BLUETOOTH/USB/SD/LINE IN**
- **PLAY/PAUSE BUTTON:** Play and Pause control button
- **PREV/NEXT:** Quick backward or next song

### 13. Blue LED Display Window for MP3/Bluetooth Function

### 14. Headphone Control

- 3.5mm headphone input jack with independent rotary volume control.

### 15. Line Input AUX/CD IN

- Connect the MP3 Device (player) sources such as PC (CD ROM), laptop, walkman, iPod and mobile phone

### 16. Microphone Talk-Over

- Switch-activated function allows for direct audio integration with connected microphone (MIC1).

### 17. AC IN Power Cord

- Connect to AC 110V/60Hz or 220V/50Hz

### 18. Push Type Speaker L/R Terminals

- Connect the speaker wires directly to the amplifier

### 19. Stereo Subwoofer Output

- Connect to subwoofer system from these terminals

### 20. Stereo Recording Function Output

### 21. RCA L/R LINE Input

- Connect to desired LINE input sources.

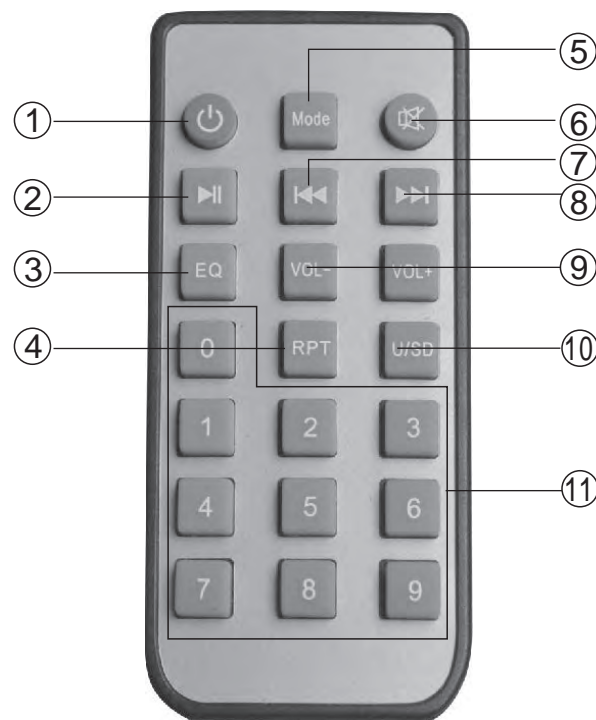
### 22. 110V/220V Switch

- According to power voltage, push this button to the 110V or 220V correct station.

### 23. Bluetooth Antenna

- Bluetooth receiver

## REMOTE CONTROL FUNCTION



1. Power ON Button
2. Play/Pause Button
3. Equalizer Button
4. Repeat Song Button
5. MODE: Menu Control Button  
Press to select BT/USB/SD/LINE IN etc audio input
6. MUTE Button
7. Previous Song Button
8. Next Song Button
9. Volume + and Volume - Buttons
10. USB/SD Switch Button
11. Number Buttons for Song Selection

## BLUETOOTH OPERATION INSTRUCTION:

External devices which have a built-in Bluetooth feature can be connected to this amplifier wirelessly to play through the amplifier's speakers. If your amp is connected to speakers, you will hear audible tones which will help for connecting.

1. At first be sure that the amplifier is powered on, and turn the volume to low. Please remember to connect the Bluetooth Antenna at the back panel for better receiving signal.
2. Press the **BT/Line** button switch in on the front panel, you will hear the voice "POWER ON" and also "PAIRING", and then the unit is automatically ready to pair with your external device.
3. Turn on the Bluetooth of your external device.
4. Search for available Bluetooth devices and make sure to be within range of your amp, and wait for your device to select "BT-RY" on the pairing devices lists of Bluetooth networks.
5. Once connected you will hear a voice say, "Your Device is Connected", the Bluetooth pairing is successful and connected.
6. You can now play music on your external device through the amplifier.

## CARING FOR YOUR PYLE AMPLIFIER

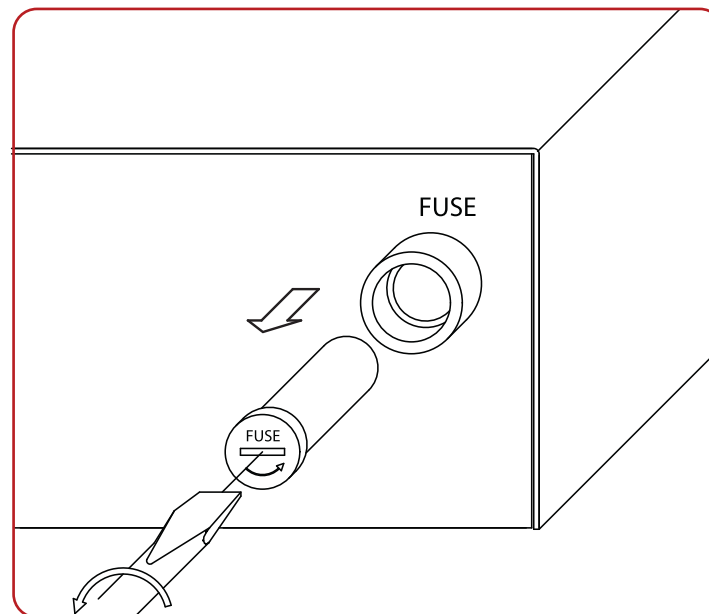
Your **Pyle Amplifier** is an example of superior design and craftsmanship. The following suggestions will help you care for your amplifier so you can enjoy years of use:

- Keep the amplifier dry. If it gets wet, wipe immediately.
- Use the amplifier only in well-ventilated installations.
- Handle the amplifier away from dust and dirt.
- Wipe occasionally with a damp cloth to keep it looking new.  
Do not use harsh chemical, solvents or detergents!

## IMPORTANT

### Replacing a fuse

This amplifier requires fuse with the proper rating for protection from power surges and short circuits. If the amplifier suddenly turns off or would not turn on, the fuse is properly blown.



- Let the amplifier cool down and see if it starts again before you assume a fuse needs to be replaced.
- Unplug the amplifier from the AC outlet.
- Turn the fuse holder cap and pull out the cap.
- Remove the old fuse and replace it with an identical one.

**CAUTION:** Never use a fuse with a higher rating

## TROUBLESHOOTING:

<b>NO POWER</b>	The fuse might be blown	Check the amplifier's fuse and replace it if necessary.
<b>NO SOUND</b>	Sound source or speakers may not be connected properly	Check all connections
	Master volume control may be set to a minimum	Adjust the volume control to a higher setting
	The speaker's wire might have the wrong impedance	Make sure that the speakers that you have connected to the amp are matching in impedance
	The amplifier is shutting down or powering off	Turn the amplifier off and let it cool, make sure that the amplifier is properly ventilated, and then turn it back on
<b>Feedback</b>	Microphone and speakers are too close together	Reposition the microphone and speakers

## SPECIFICATIONS

MODEL	PTA24BT	PTA42BT	PTA62BT
<b>Power Output:</b>	250W	500W	750W
<b>Total Harmonic Distortion 1 KHz Rated Power</b>	0.3%	0.3%	0.3%
<b>Input Sensitivity 1 KHz, 4-ohm Rated Power</b>			
<b>AUX 1</b>	180mV	180mV	180mV
<b>AUX 2</b>	180mV	180mV	180mV
<b>AUX IN</b>	200mV	200mV	220mV
<b>MIC</b>	6mV	6mV	6.8mV
<b>Signal to Noise Ratio, 1 KHz, 4-ohm Rated Power</b>			
<b>AUX 1</b>	81dB	84dB	82dB
<b>AUX 2</b>	81dB	84dB	82dB
<b>AUX IN</b>	81dB	84dB	82dB
<b>MIC</b>	68dB	68dB	68dB
<b>BASS 100Hz</b>	±10dB	±10dB	±10dB
<b>TREBLE 10KHz</b>	±10dB	±10dB	±10dB
<b>Frequency Response, 1KHz 1W, +/-3dB (8-OHM)</b>	20Hz-20KHz	20Hz-20KHz	20Hz-20KHz
<b>Power Requirement</b>	120VAC60Hz or 230V AC 50Hz	120VAC60Hz or 230V AC 50Hz	120VAC60Hz or 230V AC 50Hz