

# SereneLife



## *PUCRCX10* Smart Vacuum Cleaner

Automatic Robot Cleaning Vacuum, Includes Remote Control  
for Cleaning Modes and Robot Directions

***User Manual***

Please read this manual carefully before using the product, and keep it in a safe place for future reference.

▶▶▶ **TABLE OF CONTENTS**

<b>IMPORTANT SAFETY INSTRUCTIONS</b>	3
<b>ABOUT YOUR SWEEPING ROBOT</b>	4
<b>USING YOUR SWEEPING ROBOT</b>	8
1. IMPORTANT TIPS BEFORE USE	8
2. PREPARATION	9
3. OPERATION	10
4. CHARGING	11
<b>CLEANING AND MAINTENANCE</b>	12
<b>TROUBLESHOOTING</b>	15
<b>DISPOSAL</b>	15
<b>SPECIFICATION</b>	17

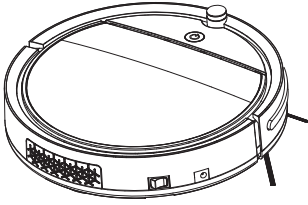
## ▶▶▶ **IMPORTANT SAFETY INSTRUCTIONS**

**To reduce the risk of injury or damage, read these safety instructions carefully and keep them at hand when setting up, using, and maintaining this device.**

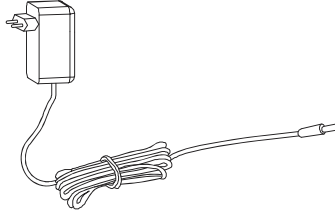
- This device can be used by children aged from 8 years and above and persons with reduced physical, sensory or mental capabilities or lack of experience and knowledge if they have been given supervision or instruction concerning use of this device in a safe way and understand the hazards involved.
- Children should be supervised to ensure they do not play with this device.
- Cleaning and maintenance shall not be performed by children without adult supervision.
- This device is only to be used with the power supply unit provided.
- For the purposes of recharging the battery, only use the detachable power supply unit provided with this device.
- The used battery should be placed in a sealed plastic bag and disposed of safely according to local environmental regulations.
- The external flexible cable or cord of the power supply unit cannot be replaced; if the cord is damaged, the power supply unit shall be disposed of.
- This device is for indoor use only.
- This device is not a toy. Do not sit or stand on this device. Small children and pets should be supervised when this device is operating.
- Store and operate this device in room temperature environments only.
- Do not use this device to pick up anything that is burning or smoking.
- Do not use this device to pick up spills of bleach, paint, chemicals, or anything wet.
- Before using this device, pick up objects like clothing and loose paper. Lift up cords for blinds or curtains, and move power cords and fragile objects out of the way. If this device passes over a power cord and drags it, an object could be pulled off a table or shelf.
- Be aware that this device moves around on its own. Take care when walking in the area where this device is operating to avoid stepping on it.
- Do not operate this device in areas with exposed electrical outlets on the floor.
- Do not use this device on an unfinished, unsealed, waxed or rough floor. It may result in damage to the floor and this device. Use only on hard floor surfaces or lowpile carpet.
- This device has been designed to be used on floors without scratching them. We still recommend that you test this device on a small area of the room to be cleaned to ensure no scratches are made before cleaning the whole room.
- Unplug it when not in use. Turn it off before cleaning and maintaining.
- Remove batteries in the remote control before long period storage.

## ▶▶▶ ABOUT YOUR SWEEPING ROBOT

### 1. What's in the box



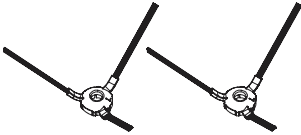
Main Body x1



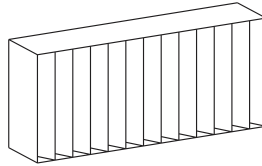
Power Adapter x1



Remote control x1



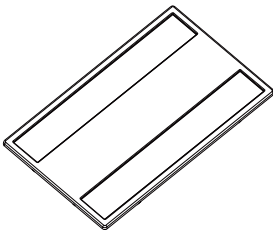
Side Brushes x 2



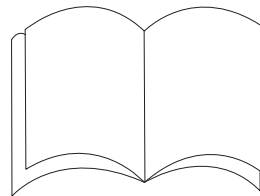
Additional High Performance Filter x1



Brush x1



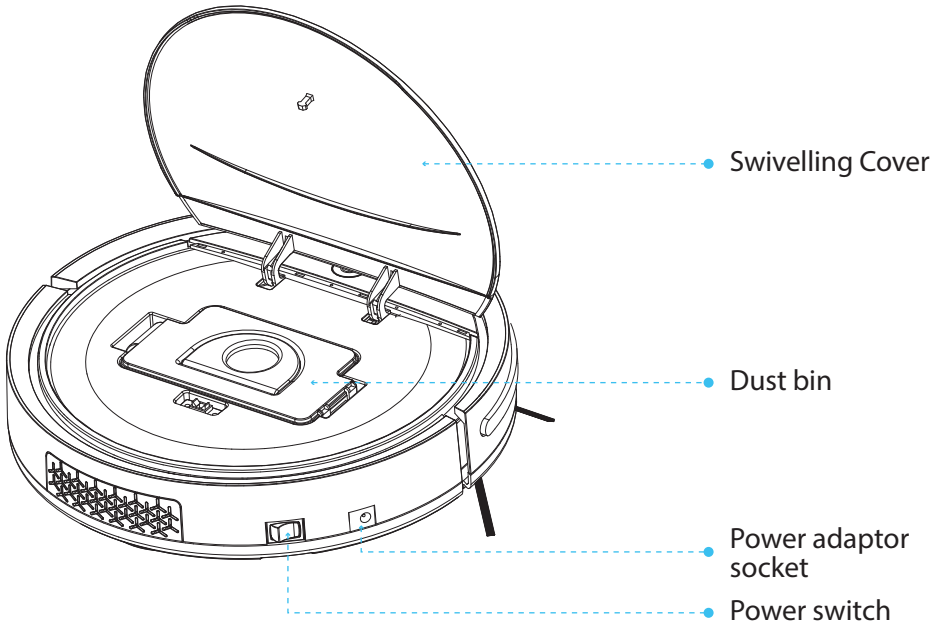
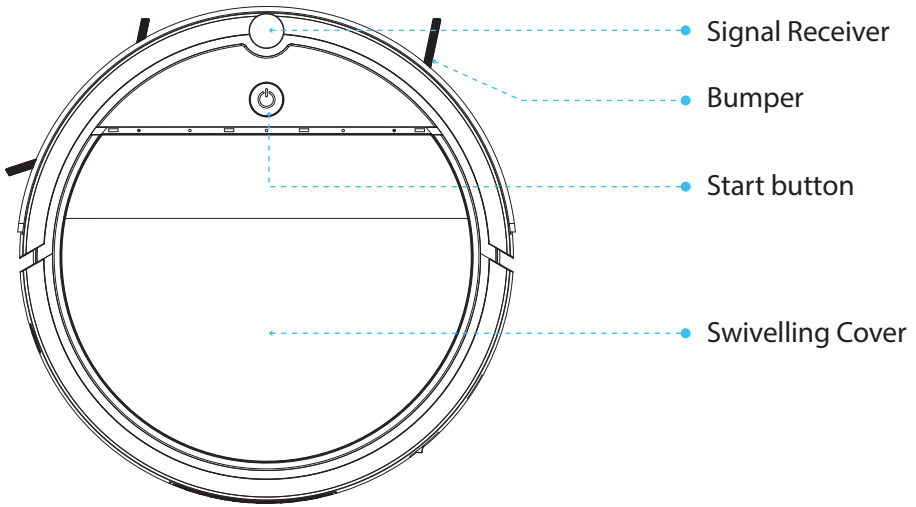
Mop Assembly x1



Manual x1

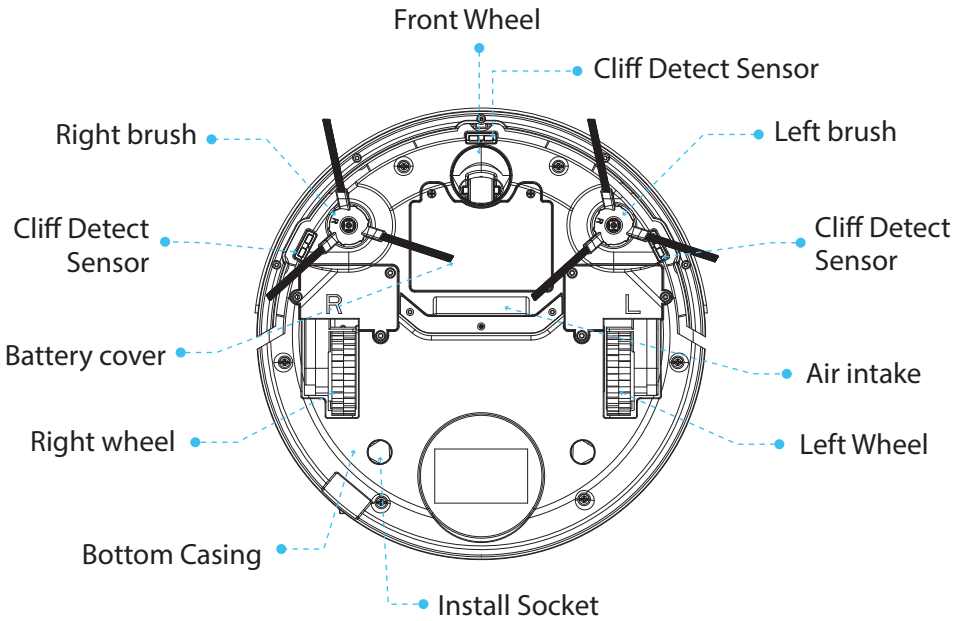
## ▶▶▶ ABOUT YOUR SWEEPING ROBOT

### 2. Top & Side

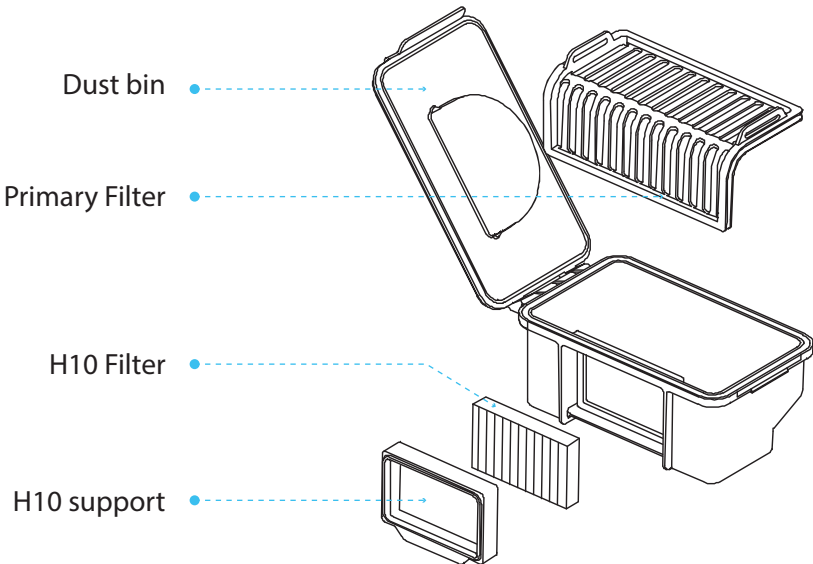


## ▶▶▶ ABOUT YOUR SWEEPING ROBOT

### 3. Bottom

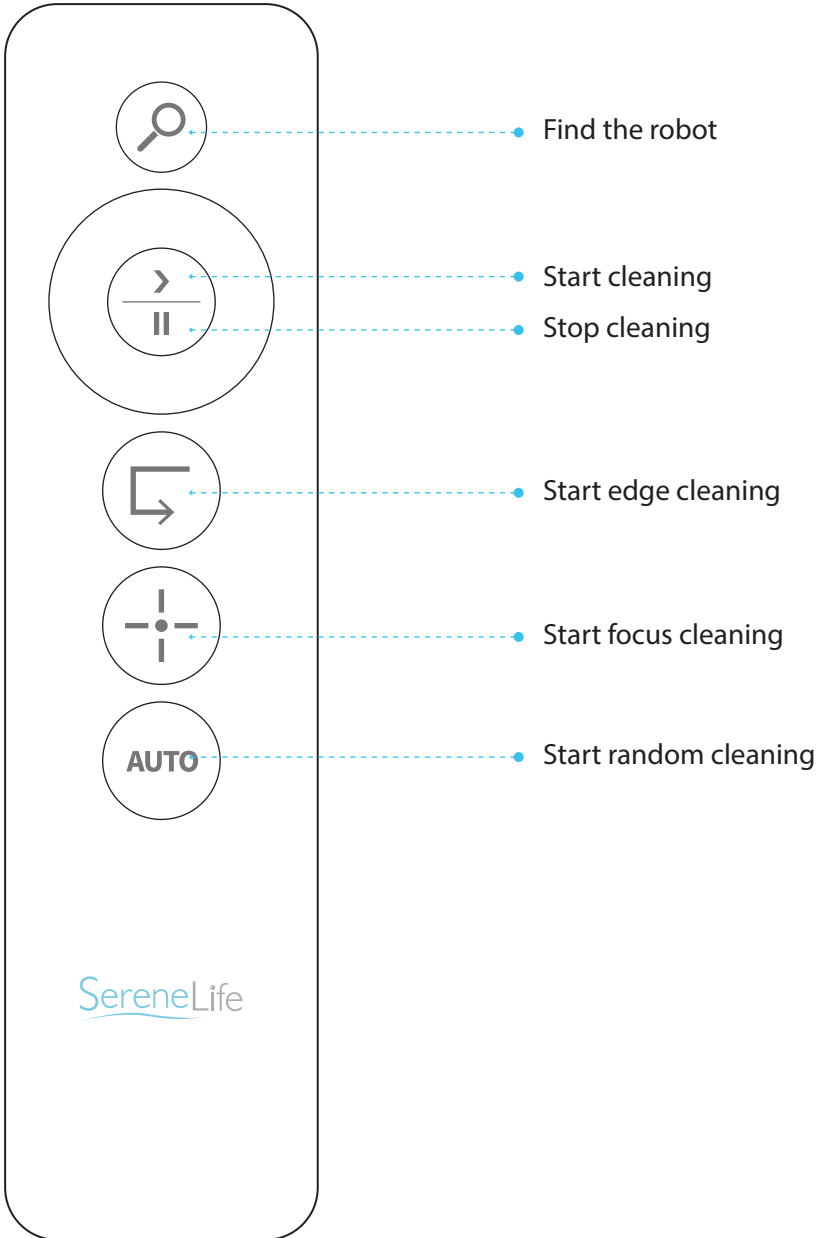


### 4. Dustin Collector



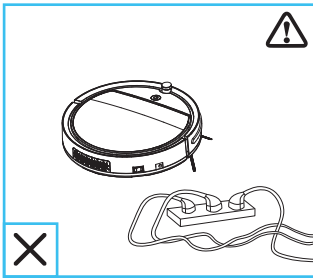
## ▶▶▶ ABOUT YOUR SWEEPING ROBOT

### 5. Remote Control

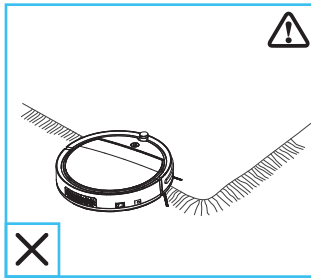


## ▶▶▶ USING YOUR SWEEPING ROBOT

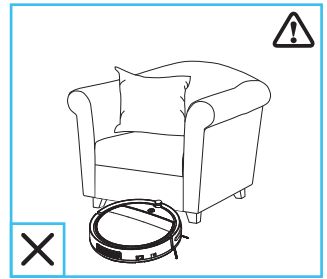
### 1. Important Tips Before Use



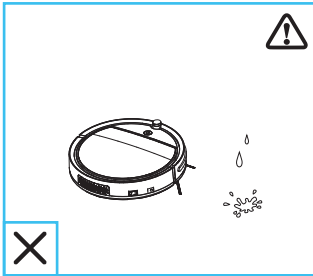
A



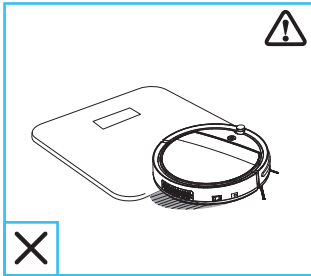
B



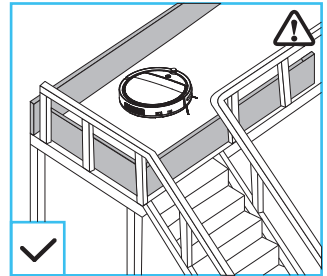
C



D



E



F

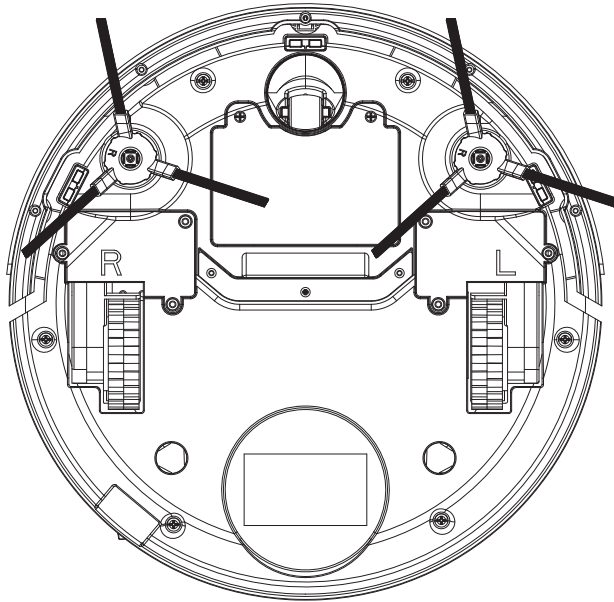
- A. Remove power cords and small objects from the floor that may entangle robot
- B. Fold tasseled edges of area rugs underneath to prevent tangling robot. Avoid cleaning very dark colored high-pile rugs or rugs thicker than 26 mm as they may cause robot to malfunction.
- C. Keep robot away from spaces lower than 70 mm to prevent robot from getting stuck. If necessary, place a physical barrier to block off the problem areas.
- D. Keep robot away from wet areas.
- E. Robot may climb on top of objects less than 16 mm in height. Remove these objects if possible.
- F. Anti-drop sensors prevent robot from tumbling down stairs and steep drops. They may work less effectively if dirty or used on reflective/very dark colored floors. It is recommended to place physical barriers to block off areas where robot may fall.



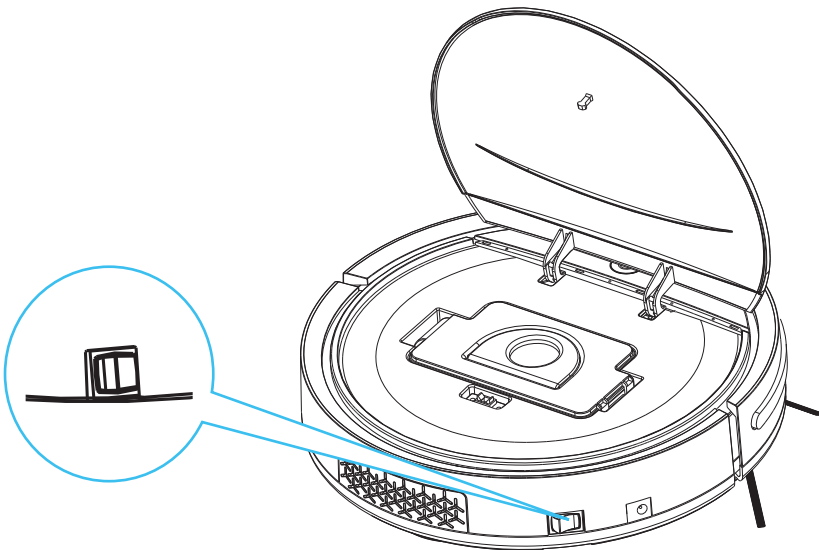
## ▶▶▶ USING YOUR SWEEPING ROBOT

### 2. Preparation

2.1. Install the side brushes before use.


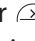


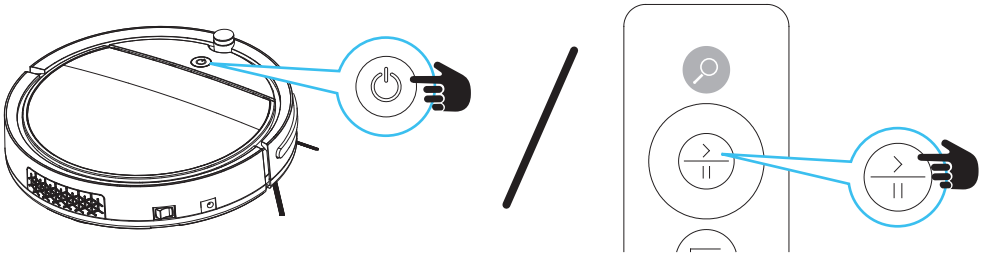
2.2. Turn on the main power switch on the side of host





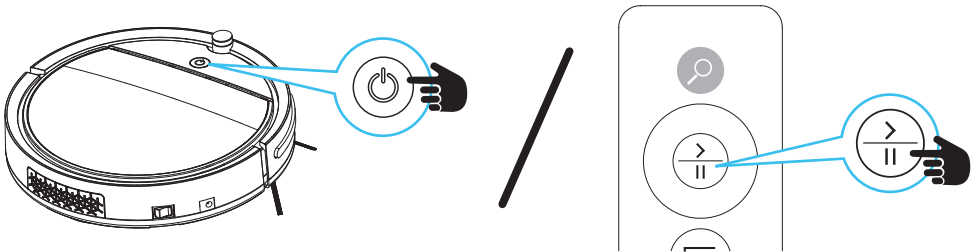
## ▶▶ USING YOUR SWEEPING ROBOT

### 3. Operation

**3.1.1.** Press  on robot or  on the remote control to start cleaning in Auto Mode. (When the machine is working, the "Start/Pause" light will be solid blue.)




**3.1.2.** Press  on robot or  on the remote control to stop cleaning.

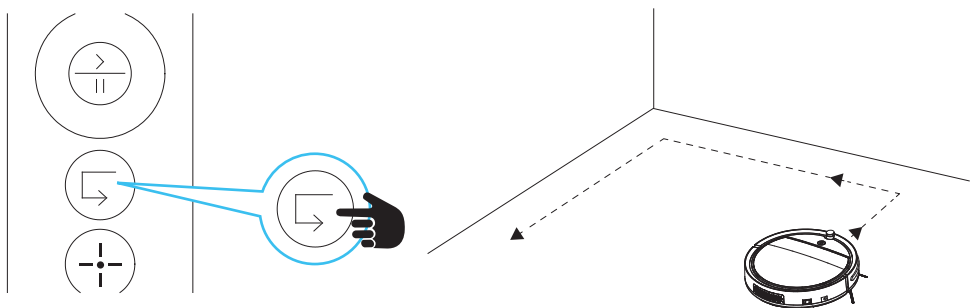


### 3.2. Select a Cleaning Mode

#### 3.2.1. Edge Cleaning

Robot reduces its speed when it detects a wall and then follows the wall to ensure the edge is cleaned thoroughly. After cleaning, it will turn to auto cleaning.


Press  on the remote control to start cleaning in Edge mode. It detects a wall and then follows the wall to ensure the edge is cleaned thoroughly.

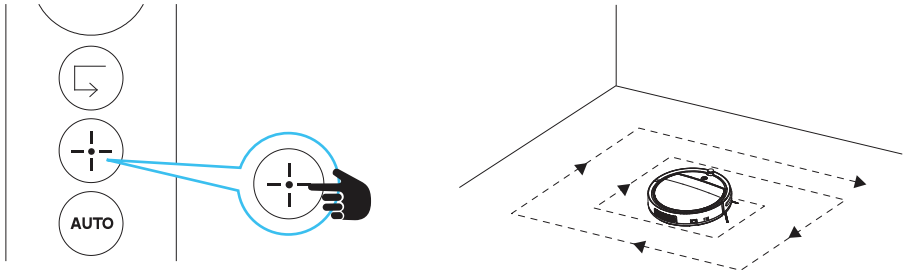


## ▶▶▶ USING YOUR SWEEPING ROBOT

### 3.2.2. Focus Cleaning

It will set the machine to enter an area and clean by square loop mode.

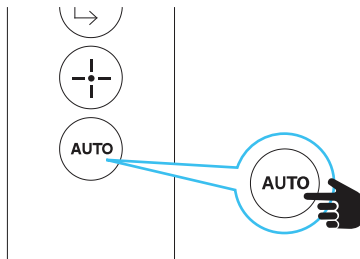
Press  on the remote control to start cleaning in Focus mode.



### 3.2.3. Auto Cleaning

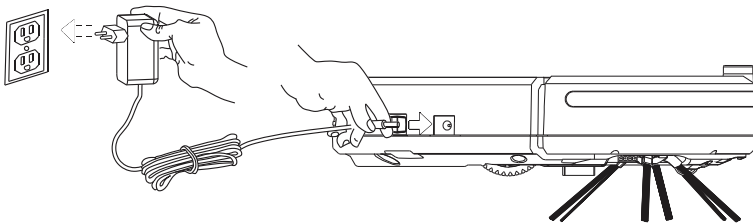
Press  on the remote control to start cleaning in Auto mode.

**NOTE:** After a cleaning mode is selected, the machine will switch to another cleaning mode automatically according to the actual environment, so as to achieve the best cleaning effect.



## 4. Charging

After turning off the power switch of the machine, connect the power adapter to power supply and insert the other end into the charging interface of the machine. See as below.



## ▶▶▶ USING YOUR SWEEPING ROBOT

- On low power, the "⏻" button light will keep blinking.
- When charging, it will keep blinking.
- When fully charged, it will be lit.
- Before first use, charge the robot for 6 hours.
- Fully charge after each use.
- If the machine will not be used for a long time, charge every 2 months to ensure good operation of the battery.

## ▶▶▶ CLEANING AND MAINTENANCE

### 1. Side Brushes

If side brushes are dirty, please wash them with clean water and use them after they get dry naturally. If they are damaged and cannot work normally, please change them.

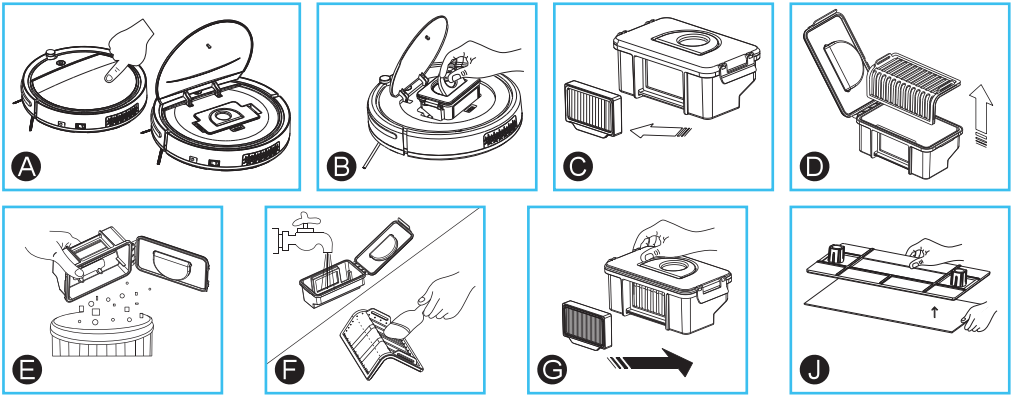
- When changing side brushes, refer to the "L" and "R" on the side brushes and indicated on the base of the machine respectively.
- Wash side brushes after cleaning to ensure normal operation.

### 2. Cleaning the Dustbin and Strainer

- A. Remove the cover as instructed.
- B. After taking out the dustbin, please check if the suction channel of the host is obstructed by foreign matters and also clean it up.
- C. Remove the main strainer.
- D. Remove the preliminary strainer.
- E. Lower the dustbin until dust pours out.
- F. Clean dustbin, preliminary strainer and main strainer. It is best to clean after 15- 30 days' use. The life span of the main strainer is approximately 24 months.
- G. Reassemble correctly to avoid damage to the machine.
- J. Remove the mop from mop holder.

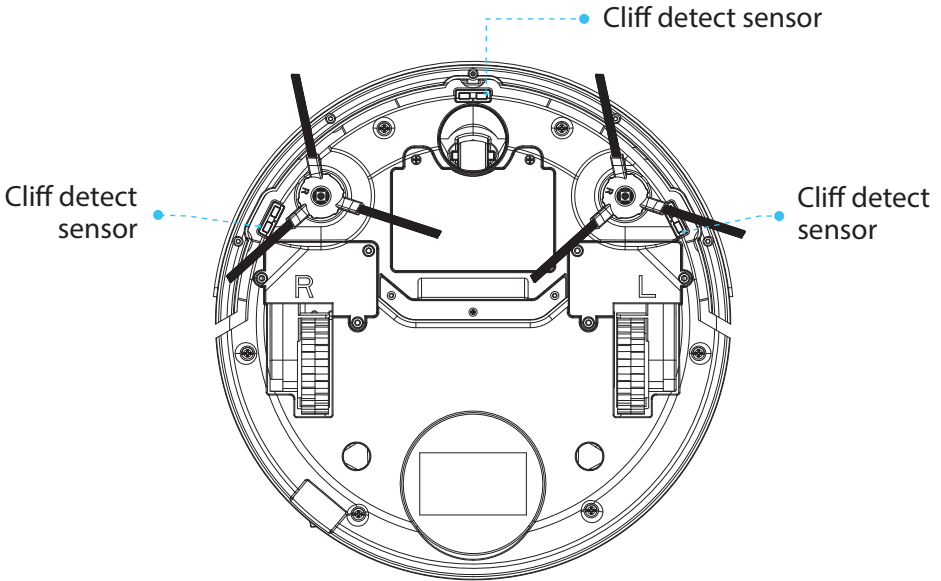
**Do not use brush or water: Knock gently or use a dryer to loosen dust.**

- Clean dustbin and suction channel after each use.
- After washing components, allow to dry naturally, but do not let dry in sunshine. Replace in machine after drying to ensure good operation.



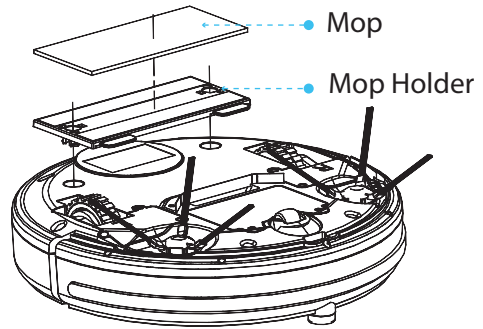
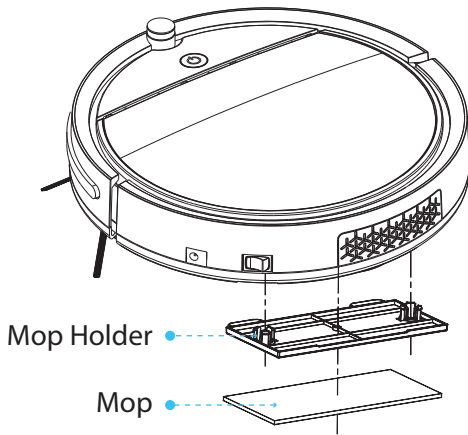
### 3. Cleaning of Sensor Lens

Use soft cloth to gently wipe the sensors, positions indicated below:



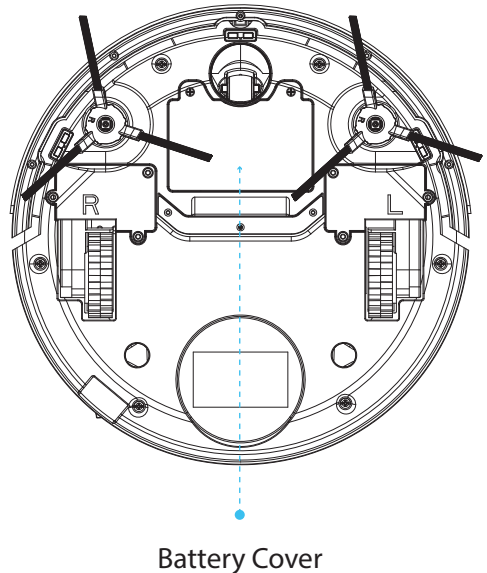
### 4. Cleaning of Mop Assembly

When the mop need to be cleaned, remove the mop from mop holder, clean up dirty things, wash mop with water, and then install it correctly. If the mop holder also needs cleaning, take it out from the main machine, wash it with water and then install it correctly after the mop holder is dry.



## 5. Battery Replacement

1. Remove screws from battery cover at the unit underside with a screwdriver.
2. Remove cover and take out battery.
3. Slightly open the lock of the battery connecting plug to separate the battery from the unit.
4. Connect the plug of the new battery with the socket of the unit.
5. Insert the new battery with the face with the characters upwards.
6. Tuck the wires neatly near the battery and lock the battery cover.
7. Switch on and confirm the machine works normally.



**Battery Model:** INR14500 451P 800mAh 14.8V

**Battery Specification:** Lithium battery 800mAh 14.8V

- Do not use other brands battery, otherwise it may damage the product.
- Please charge 12 hours after changing new battery.
- Please charge the battery once at least every 3 months.

## ▶▶▶ TROUBLESHOOTING

LED Status	Possible Cause	Solution
Orange light stays lit	Low battery power	Charging the robot
The indicator light flashes in orange	The robot is charging	
Green indicator light lights up	Fully charged	
Red indicator light lights up	Robot Error	Re-set the robot or send the robot to seller for repair
The indicator light flashes in red and beeps 3 times	The product is on dark colored floor. Anti-drop sensor light was covered	Put the robot on light color floor Clean anti-drop sensor light.
The indicator light flashes in red and orange then beeps 3 times	Front bumper error	Check if the bumper is stuck or broken
The indicator light flash in red and orange then beeps 3 times	wheels stuck	Clean the wheels
The indicator light flashes in green and orange then beeps 3 times	Side brushes stuck	Clean the stuff entwined in side brushes
The indicator light flashes in orange and beeps 3 times	Fan motor overload	Send robot to seller for repair



This product is subject to the provisions of European Directive 2012/19/EC.

The symbol showing a wheeled bin crossed through indicates that the product requires separate refuse collection in the European Union.

This applies to the product and all accessories marked with this symbol.

Products identified with this symbol may not be discarded with normal household waste, but must be taken to a collection point for recycling electric and electronic appliances. Recycling helps to reduce the consumption of raw materials and protect the environment.

The battery integrated into this device must not be disposed of in household waste. The device must be disposed of properly with the battery installed.

### Packaging

When disposing of the packaging, make sure you comply with the environmental regulations applicable in your country.

## WHAT'S IN THE BOX:

- Smart Robot Vacuum
- Remote Control
- (1) US Plug/ Power Adapter
- (1) Mopping Board
- (1) Mopping Cloth
- (2) Pairs Side Brushes ( Left and Right Side Brushes)
- (2) H10 Filter





## FEATURES:

- Keep it Clean: Sweep, Dust & Vacuum
- Includes Remote Controller for Cleaning Modes and Robot Directions
- ON/OFF Power Button Unit
- Versatile & Convenient Floor Clean Ability
- Smart, Self-Programmed Cleaning Path Navigation
- Low-Profile Design Slides Underneath Furniture
- Anti-Fall Stair Sensors & Protective Bumper Housing
- Bumper with Mechanical Sensor
- Works on Hardwood, Linoleum, Tile, Low/Hard Carpet Floors
- Convenient Dust Collection Bin Opens for Quick Disposal
- Automatic 'Bag-less' Design for Easy Cleaning
- One Button Operation
- Built-in Rechargeable Battery
- Dual Spinning Side Brush Lifts Debris
- Includes Charging / Power Adapter
- Perfect for the Home or Office

## TECHNICAL SPECS:

- Construction Material: Engineered ABS, POM
- Dust Bin Capacity: 0.2L
- Average Charge Time: 4-5 Hours
- Vacuum Operation Run-Time: 60 Minutes
- Battery Type: 14.8V Li-ion, 800mAh
- Equivalent Lithium Content:  $\leq 20$ Wh
- Unit Average Power: 18W
- Power Supply: 120/240V, 24V, 600mA Power Adapter
- Low Noise:  $\leq 65$ dB
- Power Cable Length: 5.9 ft.
- Dimensions (L x W x H): 11.42" x 11.42" x 2.75" -inches



WARNING:

This product can expose you to a chemical or group of chemicals, which may include "Lead (PB)" which is known in the state of California to cause cancer, birth defects, or other reproductive harm. For more info, go to <https://www.p65warnings.ca.gov/>.

# SereneLife

## Questions? Issues?

We are here to help!

Phone: (1) 718-535-1800

Email: [support@pyleusa.com](mailto:support@pyleusa.com)