

serenelife™



PUCWM200

Portable Washing Machine

High-Quality Full-Automatic Compact Washer
with Washing Programs Ideal for RV, Dorm, Apartment (White)

USER GUIDE

Please take the time to read these instructions carefully before you begin using your *Portable Washing Machine*.

Following the advice in this user guide will ensure you get the performance you expect from your machine and that you get the best possible wash results. Keep these instructions for future reference.

Product Description

Our single tub washing machine adopts plastic body, which has the advantages of never rusting or rotting, beautiful in shape, safe and reliable. The **Portable Washing Machine** has a large pulsator, new water flow, and the clothes are not entangled.

Structure Diagram



Spin Function

1. Drain out water in wash tub after washing. Attach the spin basket to the impeller fixed hole and rotate anticlockwise to fix.
2. Transfer the clothes in spin basket smoothly.
3. Close the cover. Rotate the Spin Timer to the desired time setting – the spin tub starts rotating.
4. **Note:** This function is just for underwear, shirt etc., little clothes;
Don't open cover when spinning.

Portable Washing Machine Installation

1. Place the washing machine on a level surface near a drainage point. Avoid using the washing machine on uneven, inclined or unsteady ground which will cause vibration when working on one side.
2. The packaging foam at the bottom of the washing machine must be removed, otherwise it will affect the heat dissipation of the motor and affect the service life of the washing machine.
3. When you connect the external drainage pipe by yourself, it is not advisable to connect it too long (not more than 2 meters), otherwise it will affect the drain water. The drain outlet should not be higher than the height of the washing machine base.



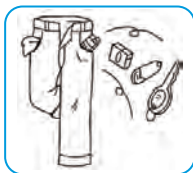
The washing machine installation should be placed on a firm and level ground with a maximum allowable inclination angle of 2° .

The washing machine should be placed more than 5cm away from the wall to prevent product noise during operation.

4. The power socket must be wired according to regulations and should be reliably grounded.
5. Put down the drain pipe, there may be a small amount of water flowing out of the drain pipe when you start to use it. This is the residual water when the factory conducts the factory performance inspection, please don't worry.
6. Connect the water inlet pipe and insert the water inlet pipe into the water inlet of the washing machine.

Preparing your laundry

Follow the instructions given in the care labels on the clothing.



Before loading your laundry, make sure that you remove coins, keys, and other hard objects, and close zippers. These items may damage clothes.



Knot the tie, button it up, close zips and fasten any hooks and eyes.



To ensure good cleaning results, do not overload the tub, especially when washing heavily soiled loads. Sort laundry by fabric type, soil level, color and load size as needed.



Reverse clothes with buttons to avoid the sound of the buttons hitting the walls of the tub.

How to do laundry

Disposal of Laundry

When washing clothes, it is best to wash in batches of different textured fabrics such as wool, velvet, nylon, and cotton to prevent the danger from sticking to each other, and can be combined with the washing method and time to achieve the best washing effect.

Washing Operation

1. Rotate the wash selection knob to the standard or gentle position.
2. Determine the water level according to the number of clothes.
The maximum water level H is marked on the left filter plate.
Please do not exceed the maximum water level.
3. Put an appropriate amount of detergent into the washing tub according to the amount of laundry.
4. Put the laundry in the washing machine tub.
5. Select the washing water flow and washing time according to the type of laundry and the degree of soiling.
6. After washing, rotate the washing selection knob to the **Drain** position to discharge the water.
7. Pour in an appropriate amount of water (water should completely cover the clothes, and the water level should be higher than clothes for about 3~5cm).

Rinse Operation

1. Pre-dehydration

After washing, put the laundry evenly into the spin tub, press down firmly and press the cover (as shown in the figure) to avoid vibration during spinning. Turn the spin timer to spin for 2-3 minutes.

If you will use the washing tub directly to rinse, pour in required water level for washing. Adjust the washing time to 4-5 minutes.

For delicate fabrics, leave it on for about 2-3 minutes.

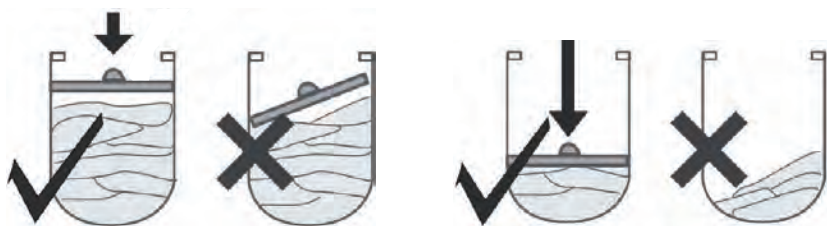
When rinsing, the number of rinses depends on the clarity of the washing liquid, usually 2 times. Drain the rinse water.

2. Washing tub rinse

Fill the washing tub with water according to washing operation.

Adjust the wash time to the 4-5 minute position, or about 2-3 minutes for delicate fabrics. Usually two rinses.

Compaction



1. Press the garment firmly and close it with the press cover

2. Even a small amount of clothing should be properly leveled and compacted. The press cover should be closed

How to use Spin Dry Function

1. After washing is completed, put down the drain pipe and drain the water in the bucket.
2. First, align the drain basket with the pulsator and place it on the pulsator. Rotate the spin basket counterclockwise to fit it into the groove of the pulsator.
3. Put the clothes into the spin basket flat, and press the press cover (to prevent the clothes from running out when draining), close the upper cover, set the program rotary switch to the draining position, turn the timer knob, and rotate according to the type of clothes. Set the selector knob to **"DRAIN"** and discharge the water. If the time setting is too long, or you want to stop in the middle, you can turn the timer knob counterclockwise to the off position, and the spin basket will stop rotating soon.

4. **Note:** The clothes should be placed evenly and covered with a press cover to avoid the machine shaking due to uneven placement.
5. When the draining time is up (draining is over), open the top cover, take out the press cover, and take out the clothes to dry. Rotate the drain basket clockwise and pull the spin basket firmly upwards.
6. Please take out the spin basket when washing, please refer to the instruction manual for washing method.
7. The spin basket of the Washing Machine can't completely dry the items. It can only save you the step of twisting the clothes and make the clothes no longer drip.
8. The spin basket pin is used to fix the spin basket during transportation. Please unplug it during wash clothes. When spin, insert 1pc or 2pc latches into the hole in the spin basket.



General Safety Warnings



Install your machine in a location that can be fully ventilated and preferably has constant air circulation.



The distance between pipeline and ground should be smaller than 15cm, in order to drain off water conveniently.



Keep out of the sunshine, otherwise, the color and form of plastic will transform.



Store and install the washer where it will not be exposed to temperatures below freezing or exposed to outdoor weather conditions. Failure to do so may result in serious leak damage.



A separate, earthed power socket is required for the power supply. Do not replace plug by oneself.



Do not spray water on the control panel or switch of the washing machine. It could cause fire or an electric shock.



Do not pour direct hot water higher than 50°C or 122°F into the laundry in the washing machine (so as to prevent the product from being deformed due to high temperature and heating, causing the whole machine to be defective).



Do not pull the power cord when unplugging the power plug. Unplug the power plug by holding the plug. Failing to do so may result in electric shock or fire. If the power plug or power cord are damaged, contact your nearest service center.



Do not add gasoline, dry-cleaning solvents, or other flammable or explosive substances to the wash water. These substances give off vapors that could ignite or explode.



Do not allow children to play on or in the appliance. Close supervision of children is necessary when the appliance is used near children.



To avoid plastic deformation, do not place heavy goods or hot objects on the washing machine.



Clean the machine with a soft, damp cloth, then wipe dry. Use mild detergent only if necessary.

Maintenance

Good maintenance work can ensure the performance and prolong the service life of the washing machine. Turn your mains power supply off and remove the plug from the socket before carrying out maintenance and cleaning of your machine.

Washing machine cleaning

1. Please wipe the body frequently with a soft cloth.
2. Wipe with a soft cloth dampened with neutral soapy water. Do not splash water directly on it, or wipe it with thinner, kerosene, volatile oil, and alcohol. If you use a special cleaner, follow the instructions.

Filter box cleaning

1. Press the upper end of the filter box by hand, take out the filter box, and remove the internal garbage.
2. When reinstalling the filter box, fit the lower end of the filter box with the empty groove of the washing tub, and then push it in firmly.
3. After the filter box is installed, it can be washed.

What to do if water freezes

1. Please remove the water inlet pipe after use and drain the remaining water in the pipe and tub.
2. In winter, if there is left over water, it may freeze and malfunction may occur during operation. If it freezes, please do not operate it.
Pour hot water of about 40°C into the bucket to submerge the impeller, wait for a while, and turn the impeller gently by hand to use it again.

Safety and General Precautions

Power Cable

1. When the washing machine is not in use, it should be unplugged.
2. The product should be placed in a well-ventilated place.
DO NOT place in strong direct sunlight or dusty places.
3. Keep the product away from heat sources, do not use hot water above 50°C or 122°F.
4. If the supply cord is damaged, it must immediately be replaced by the manufacturer, its service agent or a qualified technician.

Clothes that cannot be washed

1. Do not wash items contaminated with gasoline, kerosene, benzene, paint thinner, alcohol, dry cleaning detergent or other flammable substances. This may result in electric shock, fire, or an explosion.
2. Do not mix chlorine bleach with ammonia or acids such as vinegar.
Incorrect usage can produce poisonous gas, result in serious injury.

Other safety matters

1. During spin-drying operation, do not put your hands into the tub.
If the lid of the machine is opened, do not take clothes out until the spin-drying tub stops spinning to avoid electric shock, injury or fire.
2. Do not allow children to play on or in the washing machine.
Close supervision of children is necessary when the washer is used near children. As children grow, teach them the proper, safe use of all appliances.

3. There are vents at the bottom of the washing machine, which must be well ventilated during use, and must not be blocked by foreign objects such as carpets and packaging bottom linings.
4. Use the new water inlet tube that came with the washing machine, the old water inlet tube cannot be reused.

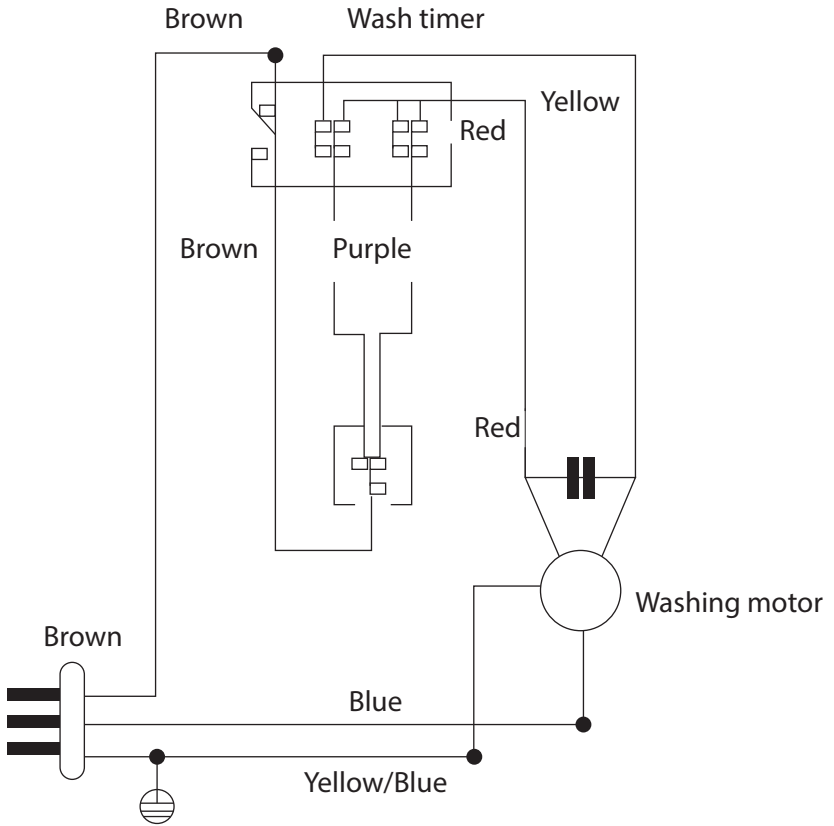
Troubleshooting

Trouble	Possible Reason	Solutions
Your machine does not start.	<ol style="list-style-type: none"> 1. Machine not plugged in. 2. Bad power outlet or fuses are faulty. 3. Wash program selector set to DRAIN. 4. The triangular tape is too loose or comes loose during transportation. 	<ol style="list-style-type: none"> 1. Check for a power outage 2. Carefully check the switch connectors of each electrical appliance. 3. Tighten the laundry timer knob to select the appropriate laundry time 4. Open the rear cover, loosen the fastening screws of the washing motor feet, move the motor backward until the triangle tape is tight enough or install the triangle tape.
Laundry is not smooth	<ol style="list-style-type: none"> 1. Motor triangle tape is too loose 2. Motor too low 3. Leaking seal 	<ol style="list-style-type: none"> 1. Tighten the triangle tape 2. Wait for the motor to work normally 3. Contact your local repair shop for repairs
Washing machine is not draining	<ol style="list-style-type: none"> 1. Drain knob not screwed in place 2. Clogged drain 3. Drainage cable loose or broken 4. The drain pipe is too long 5. Drain pipe not low enough 6. Drain pipe knotted 	<ol style="list-style-type: none"> 1. Screw the drain knob into place 2. Clean the drainage system 3. Fix the drain cable or replace 4. Shorten the length of the drain pipe 5. Lower the drain pipe height 6. Twist the drain hose

FAULT WARNINGS AND WHAT TO DO

POSSIBLE FAULT	WHAT TO DO
The impeller and the spin basket is not moving	<ol style="list-style-type: none">1. Check for a power outage2. Is the power cord plug in good contact with the socket3. Whether the wash and spin timer is working (listen to the sound)
Washing machine is not draining	<ol style="list-style-type: none">1. Is the drain zipper broken and the drain valve not opened2. Whether the drain hose is down or bent3. Foreign matter is blocking the drain valve
Washing machine vibrates or is too noisy	<ol style="list-style-type: none">1. Make sure that your washing machine is set on a level surface. If the surface is not level, adjust your washer's leveling foot to level your machine.2. The impeller is entangled by foreign matter, check tub and drain filter for foreign objects.3. Clothes are not placed evenly in the Spin basket, make sure that the laundry load is balanced on the Spin basket before Spin drying.
Leakage of electricity	<ol style="list-style-type: none">1. The inner cable of the washing machine is loose, tighten the inner cable of the machine.2. There is no ground wire for indoor sockets, and grounding measures are implemented for the ground wire pole E of the socket.3. The use environment is humid, which will cause the electrical components in the machine to be damp. Move the washing machine to a ventilated and dry place for use.4. The seal is leaking, contact the local repair station for repair.

Electrical Schematic Diagram



Features:

- Stainless Steel Inner Body
- Stainless Steel Spin Basket
- Semi-Automatic Cleaning Function
- High-Frequency Vibration to Effectively Remove Dirt
- Energy-Saving and Environmental Protection
- Saves Water and Electricity
- Equipped with Heavy, Soft, Normal, Rapid, and Soak.
- 2 Programs and 1 Water Level
- Washing Program Customizer by Selecting Load Size, Adding Wash Time, and Spin Time
- Feature with Durable Rust-Resistant Steel Inner Tub, Water Inlet

What's in the Box:

- Washing Machine

Technical Specs:

- Construction Material: Stainless Steel
- Item Weight: 15.98 Lbs.
- Rated Wash Power: 300W
- Frequency Response: 60Hz
- Voltage: 120V
- Waterproof: IPX4
- S/N Ratio: 60dB
- Timer: 0~15 mins
- Motor: Aluminum Motor
- Motor Speed: 840 RPM
- Product Dimensions (L x W x H): 14.6" x 14.6" x 24" -inches





serenelife™
www.SereneLifeHome.com

Questions? Comments?

We are here to help!

Phone: (1) 718-535-1800

Email: support@pyleusa.com

