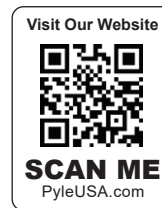


PYLE[®]
PyleUSA.com



Questions or Comments?
We are here to help!
Phone: 1.718.535.1800
PyleUSA.com/ContactUs



PYLE[®]
PyleUSA.com



PW12SUBA - PW15SUBA - PW18SUBA
Active Powered Subwoofer Box System

USER GUIDE

READ ALL INSTRUCTIONS BEFORE USING THE SUBWOOFER.

PW12SUBA

12" 1800W Active Powered Subwoofer Box System with Professional Design

Features:

- DSP Digital Signal Processor
- Power-On and Signal Input LED Indicators
- Signal Input LED Indicator
- Clip Limiter Circuitry with LED Indicator
- Balanced XLR + TRS Input Jacks
- Balanced XLR Thru Output Jacks for Parallel Connections
- Passive Heat Sink with Fan for Cooling
- Subwoofer Crossover 80Hz/100Hz/120Hz/150Hz/200Hz Low Pass
- Subwoofer Level Adjustment
- Subwoofer Phase Control
- Built-in Pole Mount Socket
- Built-in Carrying Handles
- Custom Metal Grill

What's in the Box:

- Wooden Subwoofer
- Power Cable

Technical Specs:

- Construction Materials: Wooden Painted Enclosure with MDF Board
- Power Supply: 450 Watts RMS / 900 Watts Program / 1800 Watts Peak Power
- Woofer: 12"
- Magnet: 70oz
- Voice Coil: 3"
- Frequency Response: (+/-3dB) 48Hz - 200Hz
- Maximum SPL: 127dB Peak / 124dB Continuous
- Product Dimensions: 13.78" x 20.87" x 20.47" -inches



PW15SUBA

15" 2400W Active Powered Subwoofer Box System with Professional Design

Features:

- DSP Digital Signal Processor
- Power-On and Signal Input LED Indicators
- Signal Input LED Indicator
- Clip Limiter Circuitry with LED Indicator
- Balanced XLR + TRS Input Jacks
- Balanced XLR Thru Output Jacks for Parallel Connections
- Passive Heat Sink with Fan for Cooling
- Subwoofer Crossover 80Hz/100Hz/120Hz/150Hz/200Hz Low Pass
- Subwoofer Level Adjustment
- Subwoofer Phase Control
- Built-in Pole Mount Socket
- Built-in Carrying Handles
- Custom Metal Grill

What's in the Box:

- Wooden Subwoofer
- Power Cable

Technical Specs:

- Construction Materials: Wooden Painted Enclosure with MDF Board
- Power Supply: 600 Watts RMS / 1200 Watts Program / 2400 Watts Peak Power
- Woofer: 15"
- Magnet: 126oz
- Voice Coil: 4"
- Frequency Response: (+/-3dB) 45Hz - 200Hz
- Maximum SPL: 128dB Peak / 125dB Continuous
- Product Dimensions: 23.23" x 19.69" x 21.65" -inches



PW18SUBA

18" 3200W Active Powered Subwoofer Box System with Professional Design

Features:

- DSP Digital Signal Processor
- Power-On and Signal Input LED Indicators
- Signal Input LED Indicator
- Clip Limiter Circuitry with LED Indicator
- Balanced XLR + TRS Input Jacks
- Balanced XLR Thru Output Jacks for Parallel Connections
- Passive Heat Sink with Fan for Cooling
- Subwoofer Crossover 80Hz/100Hz/120Hz/150Hz/200Hz Low Pass
- Subwoofer Level Adjustment
- Subwoofer Phase Control
- Built-in Pole Mount Socket
- Built-in Carrying Handles
- Custom Metal Grill

What's in the Box:

- Wooden Subwoofer
- Power Cable

Technical Specs:

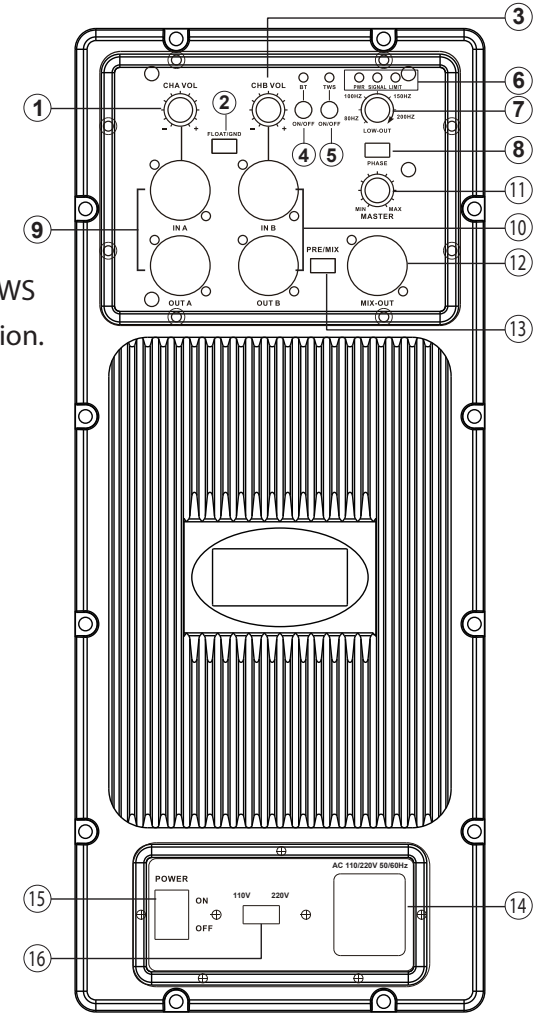
- Construction Materials: Wooden Painted Enclosure with MDF Board
- Power Supply: 800 Watts RMS / 1600 Watts Program / 3200 Watts Peak Power
- Woofer: 18"
- Magnet: 126oz
- Voice Coil: 4"
- Frequency Response: (+/-3dB) 40Hz - 200Hz
- Maximum SPL: 131dB Peak / 128dB Continuous
- Product Dimensions: 20.87" x 25.98" x 24.21" -inches



Control Panel Layout

PW12SUBA - PW15SUBA - PW18SUBA

1. Channel A Volume Control
2. Ground and Float Switches
3. Channel B Volume Control
4. **Bluetooth Indicator:**
Flashes when Bluetooth is on and stays lit after connection.
5. **TWS Indicator:** Flashes when TWS is on and stays lit after connection.
6. **LED Indicators:**
 - Power LED
 - Signal LED
 - Limit LED
7. **Low Out for 80Hz/100Hz/150Hz/200Hz**
8. Phase Switch
9. **Channel A:**
 - Balanced Input
 - Balanced Output
10. **Channel B:**
 - Balanced Input
 - Balanced Output
11. Master Volume Control
12. XLR Balanced Output
13. **PRE-Output and Mixed Output:**
 - PRE-Output:** Main frequency
 - Mixed Output:** Low frequency 120Hz excision
14. Fused IEC Mains Inlet
15. Power Switch (ON/OFF)
16. Voltage Selector Switch (110V/220V)



Safety Instructions

Important Safety Guidelines

- **Read all instructions before using the subwoofer.**
- Keep the subwoofer away from water, moisture, and extreme temperatures.
- Ensure that the subwoofer is placed on a stable surface to prevent it from falling.
- Do not attempt to open or repair the subwoofer yourself.
Refer servicing to qualified personnel.

Electrical Safety Precautions

- Use only the power cable provided with the subwoofer.
- Ensure the power source matches the voltage requirement specified on the subwoofer.
- Unplug the subwoofer during lightning storms or when not in use for extended periods.

Installation

Unboxing and Inspection

- Carefully remove the subwoofer from its packaging.
- Inspect the subwoofer for any signs of damage during transit.
- Ensure all components listed in the package contents are included.

Placement Recommendations

- For optimal sound, place the subwoofer near a wall or in a corner of the room.
- Avoid placing the subwoofer near heat sources or in direct sunlight.
- Ensure there is adequate ventilation around the subwoofer to prevent overheating.

California Prop 65 Warning

WARNING:

This product may expose you to chemicals, which is known to the state of California to cause cancer, birth defects and other reproductive harm. Do not ingest.

For more info go to: www.P65warnings.ca.gov

Connecting to an Audio Source

- Use the RCA input cables to connect the subwoofer to your receiver or audio source.
- If using speaker-level inputs, connect the subwoofer to the amplifier or receiver's speaker outputs.
- Ensure all connections are secure before powering on the subwoofer.

Cleaning, Maintenance, and Storage

Cleaning the Subwoofer

- Unplug the subwoofer before cleaning.
- Use a soft, dry cloth to wipe down the exterior.
- Avoid using harsh chemicals or abrasive materials that could damage the finish.

Regular Maintenance Tips

- Periodically check all connections to ensure they remain secure.
- Avoid placing heavy objects on top of the subwoofer to prevent damage.
- Ensure the subwoofer's ventilation openings are clear of dust and debris.

Proper Storage Instructions

- If storing the subwoofer for an extended period, place it in a dry, cool environment.
- Cover the subwoofer with a cloth to protect it from dust.
- Disconnect all cables and store them separately to prevent tangling or damage.

Register Product

Thank you for choosing PyleUSA. By registering your product, you ensure that you receive the full benefits of our exclusive warranty and personalized customer support. Complete the form to access expert support and to keep your PyleUSA purchase in perfect condition.



PyleUSA.com/register