

PARAMETER

System Features:

Rugged & Compact Public Address PA Sound System
Bluetooth Wireless Music Streaming Ability
Built-in Rechargeable Battery for Portability
(2) 1/4" Microphone Inputs + (2) 1/4" Guitar/Instruments Inputs
Ability to Connect & Stream Audio From External Devices
Wireless Microphone Included
Connect up to (3) Mics Simultaneously for a Karaoke Party
Ported Enclosure for Increased Bass Response
Full Range Stereo Sound Reproduction
Independent Channel Volume Controls
Audio Configuration: Echo, Bass and Treble Controls
Telescoping Handle & Caster Wheels
35mm Speaker Stand Mount
8" Full Range Speaker
LED Indicator Lights
Wireless Microphone Included
External 12V Power DC Input Connector
Perfect for Karaoke, Public Events, Crowd Control, etc.

Bluetooth Connectivity:

Built-in Bluetooth for Wireless Music Streaming
Works with All of Your Favorite Devices
(iPhone, Android, Smartphone, iPad, Tablet, Computer, etc.)
Bluetooth Wireless Network Name: Pyle Speaker
Bluetooth Version: 3.0
Bluetooth Wireless Range: 100 Ft.

Accessories Included:

Wireless Dynamic Microphone
1/4" to Aux (3.5mm) Audio Cable + Adapter
Battery Terminal Alligator Clamp Cables
RCA Connection Cable
Power Cable

Technical Specs:

Max Power Output: 400 Watt
RMS Power Output: 200 Watt
VHF Band Signal System Transmission
Wireless Mic Operation Range: 100 ft.
System Battery Life: Approx. 10 Hours
Average Charging Time: 8 - 10 Hours
Battery Type: Lead Acid, 12V (4.5A)
Operating Frequency: 254.6kHz
Frequency Response: 35-20kHz
SPL: 94dB (1W/M)
T.H.D.: <1%
Battery Powered Wireless Mic: Requires 2 x 'AA' Batteries
Power: 110/220 Voltage Switchable
Dimensions (L x W x H): 14.7" x 10.6" x 11.2"

PYLE^R
PyleUSA.com

PWMA230BT **OPERATING INSTRUCTIONS**

**Wireless Portable Bluetooth PA Speaker System,
Built-in Rechargeable Battery, Wireless Microphone, 400 Watt**



User's manual

GENERAL DESCRIPTIONS

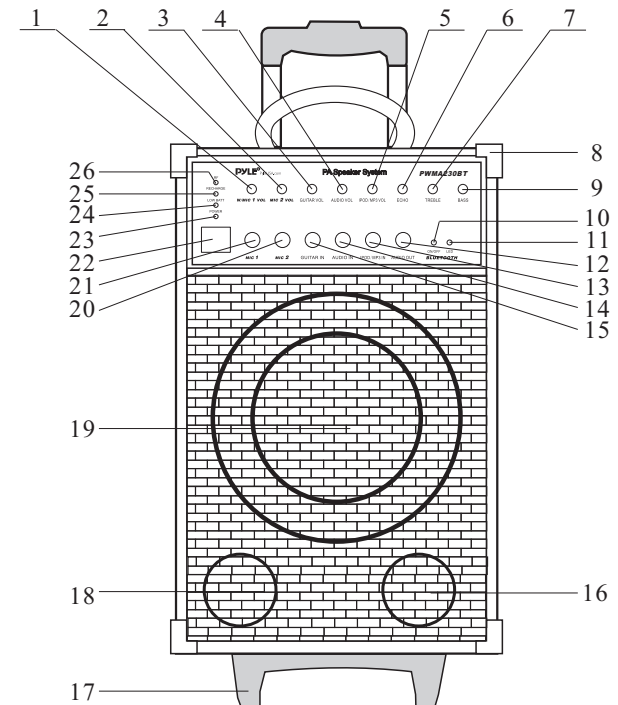
- 1.It is consist of one set of of wireless and two wired microphone input circuits, both of them has separated volume control.
- 2.The standard accessories are VHF high band wireless transmitter and receiver.
- 3.It is equipped with built-in 4.5AH/12V rechargeable battery which can be charge 6 hours continuously, also DC power can be used directly.
- 4.One guitar input function and one audio input unit both are supplied.
- 5.Treble and bass control are supplied.
- 6.Echo control is supplied.
- 7.With voltage selector switch for selecting a suitable one according to different countries.
- 8.8 " full range driver

REMARKS

1. Correct power must be used, don't use any other power except the specified one.
2. Don't drag the power cable when pull out the plugs, just hold the plug to pull it out from socket.
3. Don't open chassis: it is very dangerous either open the chassis or put your hand inside the chassis, don't do it. If the device is not under normal working, pull out the plug at once and contact your retailer or nearest distributor.
4. Don't take volatile solvent such as toluene, alcohol, gasoline to clean the surface.
5. Please don't put it in a unventilated environment or at direct sunlight in summer.
6. Avoid moisture or rain

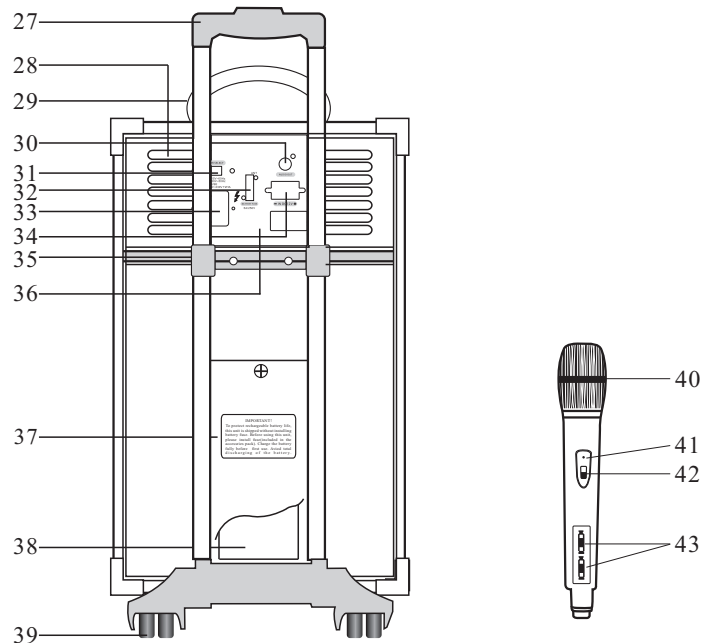
SYSTEM FUNCTION FIGURE

- | | |
|-------------------------------------|-----------------------------------|
| 1. Wireless Mic/MIC1 Volume Control | 14. Audio Input Jack |
| 2. MIC2 Volume Control | 15. Guitar Input Jack |
| 3. Guitar Volume Control | 16. Vent Hole |
| 4. Audio Volume Control | 17. Fixed Stand For The Unit |
| 5. Ipod/MP3 Volume Control | 18. Vent Hole |
| 6. Echo Control | 19. Woofer Speaker |
| 7. Treble Control | 20. MIC2 Input Jack |
| 8. Bass Control | 21. MIC1 Input Jack |
| 9. Metal Corner | 22. Power Switch |
| 10. bluetooth on/off switch | 23. Power Indicator |
| 11. bluetooth indicator light | 24. Low Voltage Indicator |
| 12. Audio Output Jack | 25. Charge Indicator |
| 13. Ipod/MP3 Input Jack | 26. RF Indicator For Wireless Mic |



SYSTEM FUNCTION FIGURE

- | | |
|----------------------------|------------------------------------|
| 27.Trailer Handle | 36.Rechargeable Battery Cover |
| 28.Heating Pane | 37.Warning |
| 29.Handle | 38.4.5AH/12V Rechargeable Battery |
| 30.Audio Out | 39.Truckle Of Trailer |
| 31.Voltage Selector Switch | 40.Mic Head |
| 32.AC Fuse/Battery Fuse | 41.RF Indicator Of Handheld Mic |
| 33.Power line(~115V /230V) | 42.Power Switch Of Handheld Mic |
| 34.External DC Input Jack | 43.Battery Housing Of Handheld Mic |
| 35.2PIN Power Socket | |



INSTRUCTIONS

1. Confirm the power

- ① AC Power: Before operation, please confirm the voltage is same as the specified one marked on the label. If not, the unit will be damaged.
- ② Built-in Rechargeable Battery: You needn't plug-in the AC power when the voltage for rechargeable battery is enough but use the battery directly.
- ③ When the Low Voltage Indicator comes yellow, it indicates the battery voltage is not enough, please charge it in time.
- ④ When the Low Voltage Indicator comes out, it indicates the voltage is standard now.
- ⑤ If the unit is not used for a long time, please charge the rechargeable battery every 2 months, 8-10 hours for each time.

2. Operation Instructions:

- ① Plug the power cable into the socket and connect it with this amplifier system.
- ② Switch on the amplifier, the Power Indicator comes red.
- ③ During charging, RECHARGE indicator comes red, when the indicator flashing, that means battery is almost full while it is ready all indicators will off.
- ④ During charging, you can play music at the same time, then RECHARGE indicator will flashing with the current consumption indicating the speed of charge. Charge time is in direct proportion to the volume of music. When the battery is full, RECHARGE indicator will stop flashing and then off.
- ⑤ Put two AA 1.5V battery into handheld microphone (bodypack transmitter), push the Power Switch to middle, the Power Indicator will flash once, RF Indicator comes on green, the speakers are quiet.

INSTRUCTIONS

- ⑥ Push the Power Switch of handheld microphone (bodypack transmitter) to ON position, your sound can be heard from amplifier when speaking. Adjust the Volume Control/Echo Control/Treble Control/Bass Control to proper position to avoid feedback.
- ⑦ If the Power Indicator of microphone (bodypack transmitter) comes on at all times, it indicates the battery lack of power, please replace the battery.
- ⑧ Connect relative cable of guitar with Guitar Input Jack on this system, you can play wonderful music.

3. Wired Microphone:

- ① Two way wired microphone input jacks are supplied for two people us simultaneously.
 - ② Plug Wired microphones into the jacks separately.
 - ③ Adjust Echo Control to get better sound.
 - ④ Adjust the volume of each microphone to make sure the sound is satisfactory.
- ⑤ When you turn on the unit, be sure ECHO control set to minimal, or there will cause sound distortion

INSTRUCTIONS

4. BLUETOOTH playback

You can connect your Bluetooth phone or other device to the PA speaker.

1. Turn on the unit.
 2. Press the ON/OFF switch on front panel, bluetooth will on.
 3. When the indicator light is on it means the bluetooth in ON.
 4. Use your Bluetooth phone or other device to search for the PA speaker. It will displayed as PYLE SPEAKER.
 5. Connect your devices with PYLE SPEAKER, it will pair with unit automatically.
 6. You do not need code and get connected with unit.
 7. Play music on your phone or device, sound will come from the speaker through the BLUETOOTH wireless connection.
 8. You can use the VOLUME/BASS/TREBLE to adjust the sound level for BLUETOOTH, also you can adjust the Bluetooth music sound through your own phone or other device.
- NOTES: If there is no sound through the PA speaker during Bluetooth, Check the volume controller both on the unit and on your phone or other device.

PYLE^R
PyleUSA.com

718.535.1800 718.236.2400(fax)
1600 63rd Street, Brooklyn NY 11204