

PYGTWIR06

Wireless Guitar System

Audio Transmitter and Receiver

PYLE
PyleUSA.com

USER GUIDE

Please read this manual carefully before using.

PRECAUTION

Location

Using the product in the following environments could cause the unit to malfunction:

- Locations with extreme temperature or humidity
- Excessively dusty or dirty environments

Power Supply

Be sure to power off the product when it is not in use. Charge the product when the low battery light is illuminated. When the product is not used for a long period of time, charge the unit every six months to extend the cycle life of the batteries.

Interference with other electrical devices

Avoid close proximity with other wireless devices using the same frequency.

Handling

To avoid breakage, please do not apply excessive force to the switch, buttons, or other controls.

Care

If the exterior becomes dirty, wipe it with a clean and dry cloth. Do not apply liquid cleaning solutions such as: benzene, diluter, or other cleaners that contain flammable compounds.

Other Contaminants

Do not set beverages or liquids of any kind close to the unit. If liquid gets into the device, it may cause a malfunction, fire, or electrical shock. Keep the device and charging ports clean from dirt, metal shavings, sand, lint, and dust to avoid a malfunction.

Keep this owner's manual

After reading this manual, please keep it for later reference.

MAIN FEATURES

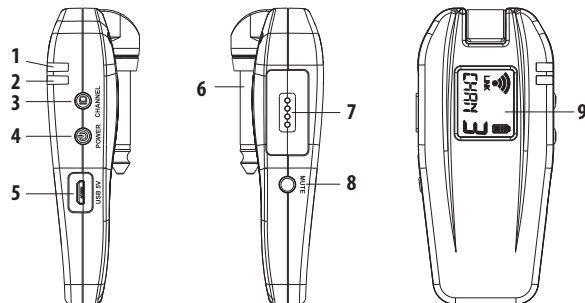
The Wireless Instrument System consists of two parts:

the Transmitter and the Receiver, which use the 5.8GHz frequency.

1. Suitable for violin, guitar, bass and all instruments with a 6.35mm (1/4") audio jack.
2. Four built-in channels.
3. Delay time less than 5.6 ms.
4. Mute function
5. Transmitter and Receiver have large capacity built-in lithium batteries.
6. Multi-way charging mode.
7. Wireless distance: Guaranteed 20 meters (unobstructed) - can reach up to 100 meters.

PARTS NAMES AND FUNCTION

Transmitter



Transmission working

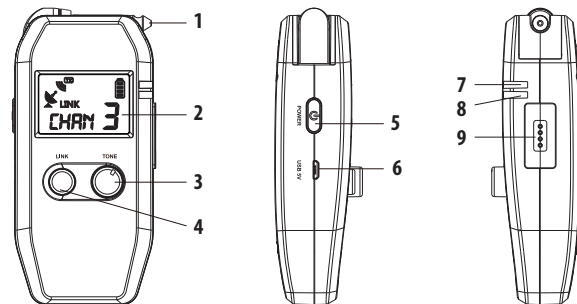


Transmitter charging for receiver



Mute status

Receiver



Transmission working



Transmitter charging for receiver



All screen contents

1. **Pairing indicator** (orange color). The orange indicator flashes when not paired, and turns off when paired successfully.
2. **Channel indicator** (red, green, blue, purple)
3. **CHANNEL** button. Press the button to switch between different channels of wireless transmission.
4. **POWER** button
5. **Charging port** via micro USB cable
6. **Audio jack to instrument**
7. **Magnetic connector.**
Charging connection point between the Transmitter and the Receiver.
8. **MUTE** button. Press and hold for 2 seconds to mute. The sign "MUTE" on the screen will flash. Another press and hold will unmute.
9. **Screen.** Displays information about battery level, channel ID, etc.
The screen turns off after 10 seconds when successfully paired.

1. Audio jack to amp

2. **Screen.** Displays battery level, channel ID, etc..

3. **TONE** knob. Turn the knob counterclockwise to increase the bass, turn the knob clockwise to increase the treble.

4. **LINK** button. Press (when on the same channel) to pair the channel.

5. **POWER** button

6. **Micro USB** charging port

7. **Pairing indicator** (orange color).

The orange indicator flashes when not paired, and turns off when paired successfully.

8. **Channel indicator** (red, green, blue, purple).

9. **Magnetic connector.**

Charging connection port between the transmitter and the receiver.

HOW TO USE

1. Press and hold the POWER buttons of the Transmitter and Receiver to turn the power on.

2. When both channel indicators show the same color and the channel number on the screens are the same, pairing was successful and the devices are ready to use.

3. If pairing indicators (orange color) are flashing, the Transmitter and Receiver are not successfully paired. Simultaneously press and hold the CHANNEL button of the Transmitter and LINK button of the Receiver for 5 to 7 seconds or until the Transmitter and Receiver channel indicator colors are the same, the channel numbers match, and both orange color pairing indicators turn off, which means pairing was successful.

4. Once paired, to switch to another channel ID, only press the Transmitter CHANNEL button. The Receiver channel ID will change to the same channel automatically.

5. Connect the Transmitter and Receiver to your instrument and amp to begin using.

The Transmitter connects to the instrument

The Receiver connects to the amp

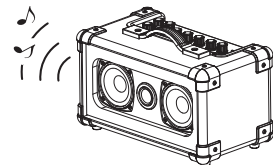
TRANSMITTER



To Instrument



To Amp



RECEIVER

Troubleshooting

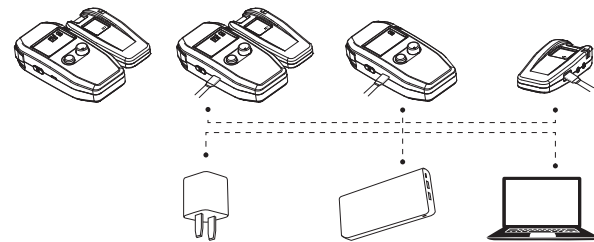
• The frequency 5.8GHz might also be used by other wireless devices, including WiFi routers. We suggest using the wireless device at a minimum distance of 2 meters (6') or more away from other wireless devices to avoid interference. Situations which may cause interference with the wireless transmission quality:

- Multiple 5.8GHz wireless devices nearby.
- Spaces with extremely strong WiFi signals or other complex radio frequencies.

• If pairing is unsuccessful, simultaneously press and hold the CHANNEL button of the Transmitter and LINK button of the Receiver for 5 seconds or until the Transmitter and Receiver channel indicator colors are the same, the channel numbers match, and both orange color pairing indicators turn off, which means pairing was successful.

• If you are experiencing audio interference, press the CHANNEL button to switch to another channel.

HOW TO CHARGE



Notes:

1. When using the Receiver to charge the Transmitter, both will power off automatically within 5 minutes. It takes 3.5 hours to be fully charged when using a 5V / 1A power source (USB cable).

2. Neither the Receiver or Transmitter will work when charging.

3. If the Receiver does not detect a signal from the Transmitter within 30 minutes, the Receiver will power off automatically.

DEVICE STATUS

STATUS	TRANSMITTER	RECEIVER
	25% Power	100% Power
Unpaired	Orange light flashing, "📶" flashing	Orange light flashing, "📶" flashing
	Orange lights Off	
Paired		
	After successful pairing, both channel indicators show a same color, and the channel ID numbers are the same.	

Features:

- Allows for Cable-Free Connectivity
- Covers a Wide Range of Frequencies for Optimal Signal Transmission
- Delivers Clear and High-Fidelity Sound Reproduction
- Portable and Easy to Use
- Lightweight and Ergonomic Design
- Support Multiple Channels to Accommodate Different Instruments
- Adjustable Control Level Function
- Long Running Battery Life
- Stable and Reliable Wireless Connection
- Easy-to-Use Instrument Wireless System
- Great for Strolling Musicians
- Rechargeable Built-in Lithium Battery
- Suitable for Guitar, Violin, Bass, and all Instruments with a 6.35mm (¼") Audio Jack

What's in the Box:

- (1) Transmitter
- (1) Receiver
- (1) Rechargeable Cable
- (1) Manual

Technical Specs:

- Construction Material: Plastic
- Battery Type: Lithium Battery
- Battery Volts: 3.7V
- Frequency: 5.8GHz
- Channels: 4
- Milliamp Hours (mAh): 600mAh for Transmitter and 3000mAh for Receiver
- Watt Hours (Wh): 5h
- Max Transmission Distance: 35m
- Product Dimensions (L x W x H): 11.42" x 3.9" x 9.49" -inches



FAQ

Question: *There's no sound after pairing*

Solutions:

- **Transmitter properly connected?**
Try disconnecting the Transmitter, and re-insert it into your instrument.
- **Receiver connecting to a wrong input of your amp?**
Check the connection of the Receiver to your amp and connect it again correctly.
- **Distance between the Transmitter and Receiver is too far?**
Obstacles in between the units?
Shorten the distance between the Transmitter and Receiver and remove any obstacles.
- **Shortly under charging status?**
Do not use the Transmitter when charging
- **Low power or power off?**
Check power level and try charging the units

Question: *Crosstalk*

Solutions:

- **Transmitter might be connected to another Receiver?**
Try switching to another channel ID, or re-pair Transmitter and Receiver.

Question: *Stuttering*

Solutions:

- **Could there be 5.8GHz interference from another device?**
Try switching to a different channel ID. Or re-pair the Transmitter and Receiver.

Question: *Not charging*

Solutions:

Try changing to another power source, or change to a new USB charging cable.

FCC Statement

This equipment has been tested and found to comply with the limits for a Class B digital device, pursuant to part 15 of the FCC Rules. These limits are designed to provide reasonable protection against harmful interference in a residential installation.

This equipment generates, uses and can radiate radio frequency energy and, if not installed and used in accordance with the instructions, may cause harmful interference to radio communications. However, there is no guarantee that interference will not occur in a particular installation. If this equipment does cause harmful interference to radio or television reception, which can be determined by turning the equipment off and on, the user is encouraged to try to correct the interference by one or more of the following measures:

- Reorient or relocate the receiving antenna.
- Increase the separation between the equipment and receiver.
- Connect the equipment into an outlet on a circuit different from that to which the receiver is connected.
- Consult the dealer or an experienced radio/TV technician for help.

Caution:

Any changes or modifications to this device not explicitly approved by the could void your authority to operate this equipment. This device complies with part 15 of the FCC Rules. Operation is subject to the following two conditions:

- (1) This device may not cause harmful interference, and
- (2) This device must accept any interference received, including interference that may cause undesired operation. This equipment complies with FCC radiation exposure limits set forth for an uncontrolled environment.

This equipment should be installed and operated with a minimum distance of 20cm between the transmitter & your body.

California Prop 65 Warning

⚠️ WARNING:

This product contains Nickel carbonate which is known to the state of California to cause cancer birth defects and other reproductive harm. Do not ingest.

For more info go to: www.P65warnings.ca.gov



Questions? Comments?

We are here to help!

Phone: (1) 718-535-1800

Email: support@pyleusa.com